



Heavy Duty Mounting Bracket HDMNT



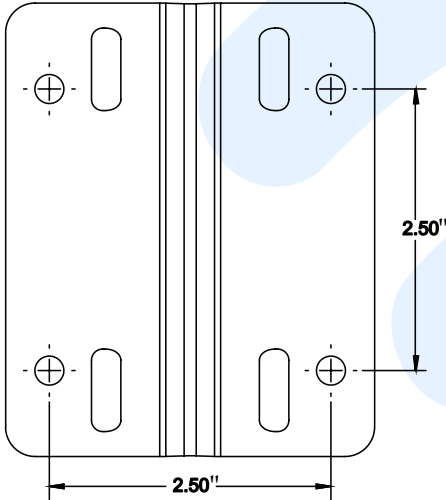
3 piece die cast aluminum mounting bracket for the 10"x10" RFMAX RFID panel antennas with 4 threaded mounting studs. This kit includes all hardware for wall or mast mounting of the antenna. Bracket articulates in both the vertical and horizontal planes, and locks in place when full assembled.

ASSEMBLY AND MOUNTING OPTIONS

For your convenience, a full-sized drill template is provided to assist with mounting-hole location. Avoid sharp bends or kinks in the coaxial cable when routing the antenna

HDMNT PARTS LIST

ITEM	P/N	DESCRIPTION	QTY
1	507582	BRACKET, FLANGE	2
2	507583	BRACKET, LINKAGE	1
3	013402	5/16 FLAT WASHER	4
4	010119	5/16 LOCK WASHER	2
5	017844	5/16 X 1-5/8 HEX HEAD BOLT	2
6	010118	5/16 NUT	2
7	017845	DOUBLE SERRATED LOCK WASHER	2
8	017868	1/4 FLAT WASHER	8
9	010084	1/4 LOCK WASHER	8
10	010085	1/4 NUT	4
11	037860	CLAMP	2
12	027871	EXPANSION ANCHOR	4
13	015294	1/4 X 1-3/4 HEX HEAD BOLT	4



RFMAX

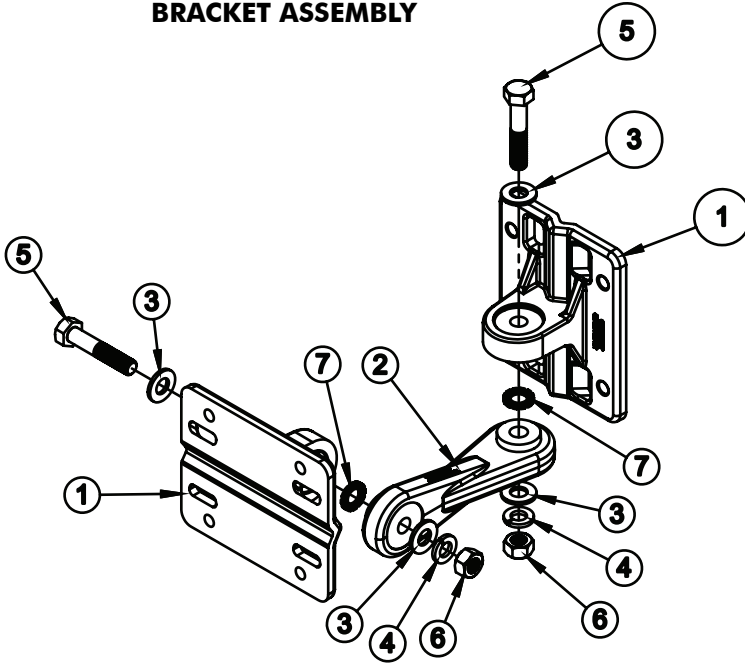
www.rfmax.us

Distributed internationally by:
Arcadian, Inc.
11 Muller Place
Little Falls, New Jersey, 07424 USA

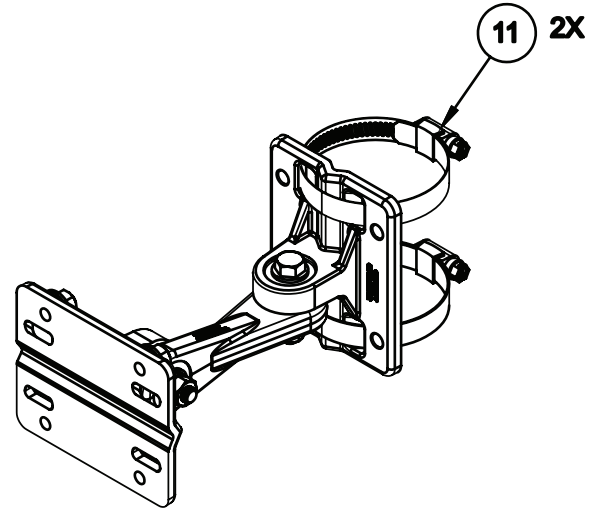
888.925.5967 toll-free
973.890.2324 international

www.arcadianinc.com

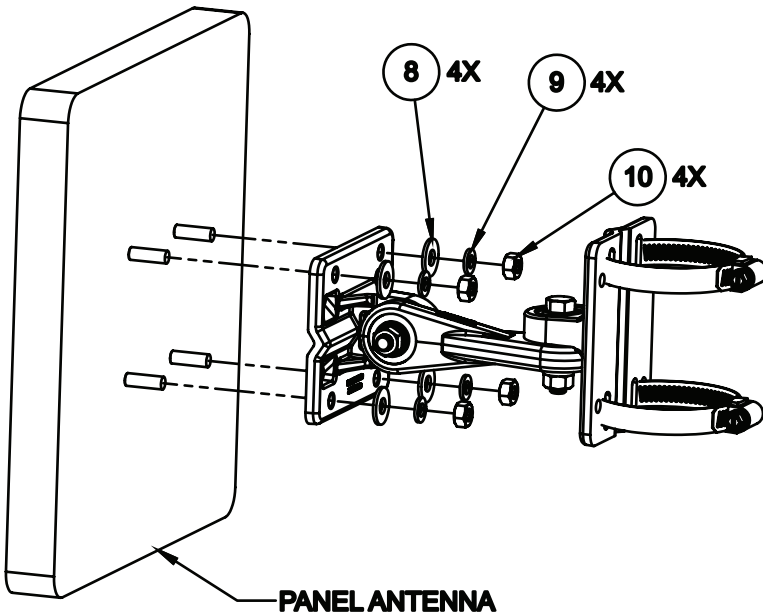
BRACKET ASSEMBLY



MAST MOUNT CONFIGURATION



ANTENNA INSTALLATION



PANEL ANTENNA

WALL MOUNT CONFIGURATION

