

HDMNT-100MM



The RFMax HDMNT-100MM is a die-cast aluminum mounting bracket for use with antennas, enclosures, monitors, etc. this unit will work for mounting anything with a 96.5 or 100mm VESA mounting pattern. The kit includes all of the hardware that you will need to mount to a wall or to a pole/mast. Particularly appropriate for the outdoor mounting of antennas, enclosures, and monitors. The HDMNT-100MM comes with hardware to accommodate mounting to a wall, or a pole with diameter of 1-3 inches. You can also use “hose clamps” or “worm gear clamps” to attach the mount to a pole or bollard up to 12 inches in diameter.

Note on RFID antenna compatibility: This mount is compatible with RFID antennas from RFMAX, Laird, Cushcraft, Times-7, MTI Wireless Edge, etc. Model numbers include: R9028-LPV-SSF, S9028PCL96RTN, S9028PCR96RTN, MT-262006/TRH/A/K, MT-262006/TLH/A/K, MT-242043/TRH/A/K, MT-263003/N, A5010-60003, A6034-70809, PAL90209H-FNF & PAR90209H-FNF, or ANY RFID antenna with 63.5 or 100mm mounting pattern.

Note: Mounting holes are drilled to accommodate studs sizes of 1/4-20, Metric M5, or any bolt up to 0.20 inch diameter. Will hold any device up to 20 kg / 44 lbs.

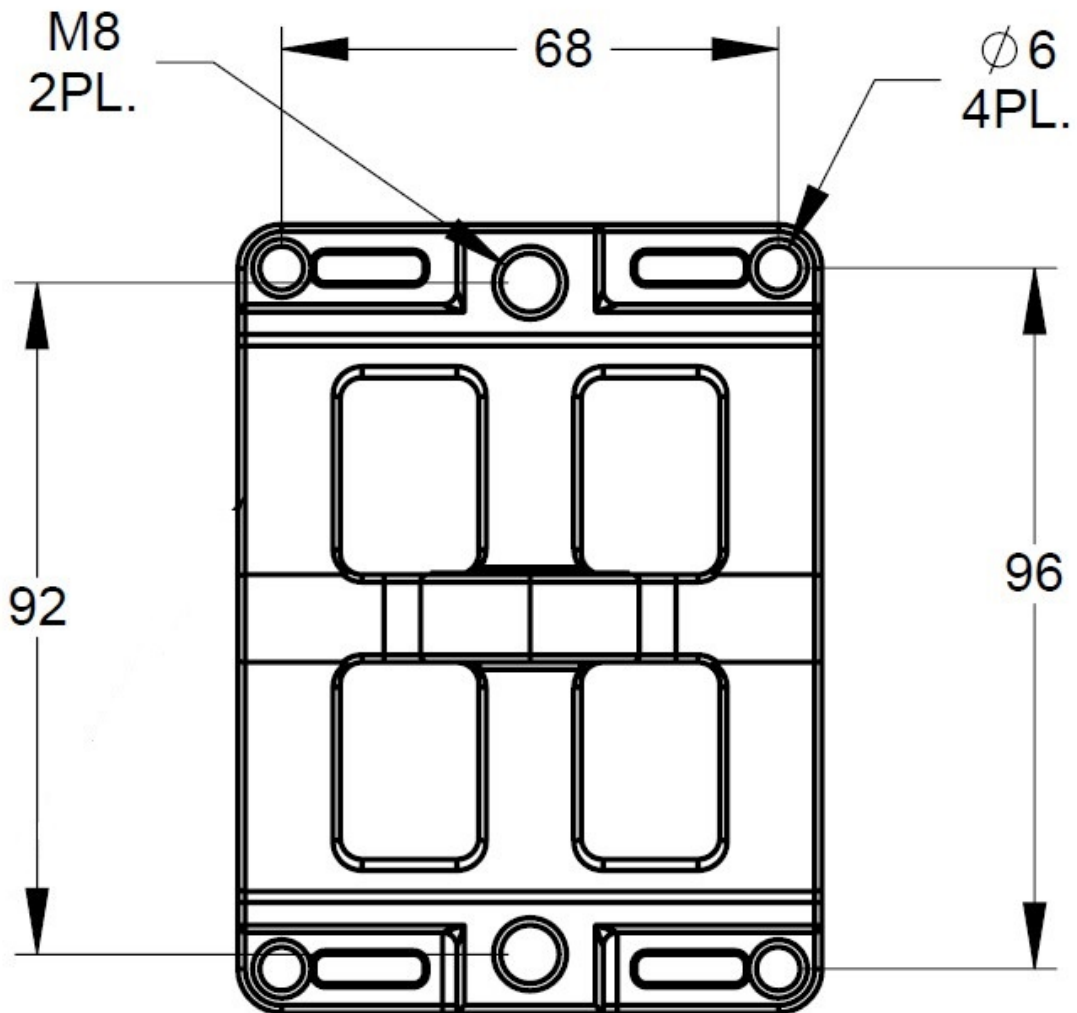
ENVIRONMENTAL DATA

Operating temperature [°C]	-55 °C to 71 °C
Humidity	0 - 100%
Shock	IEC 60721-3-4 4M5
Mechanical Vibration	IEC 60721-3-4 4M5
Ice Loading	25mm Radial
Salt Fog	IEC 68-2-11 Ka, 500h

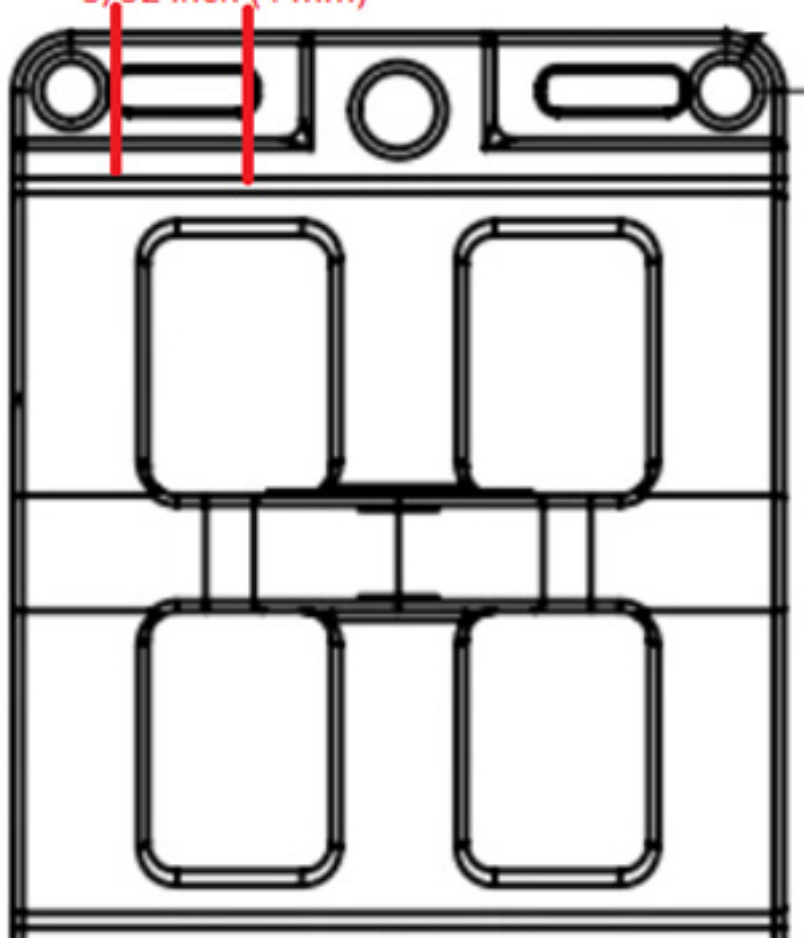
PHYSICAL DATA

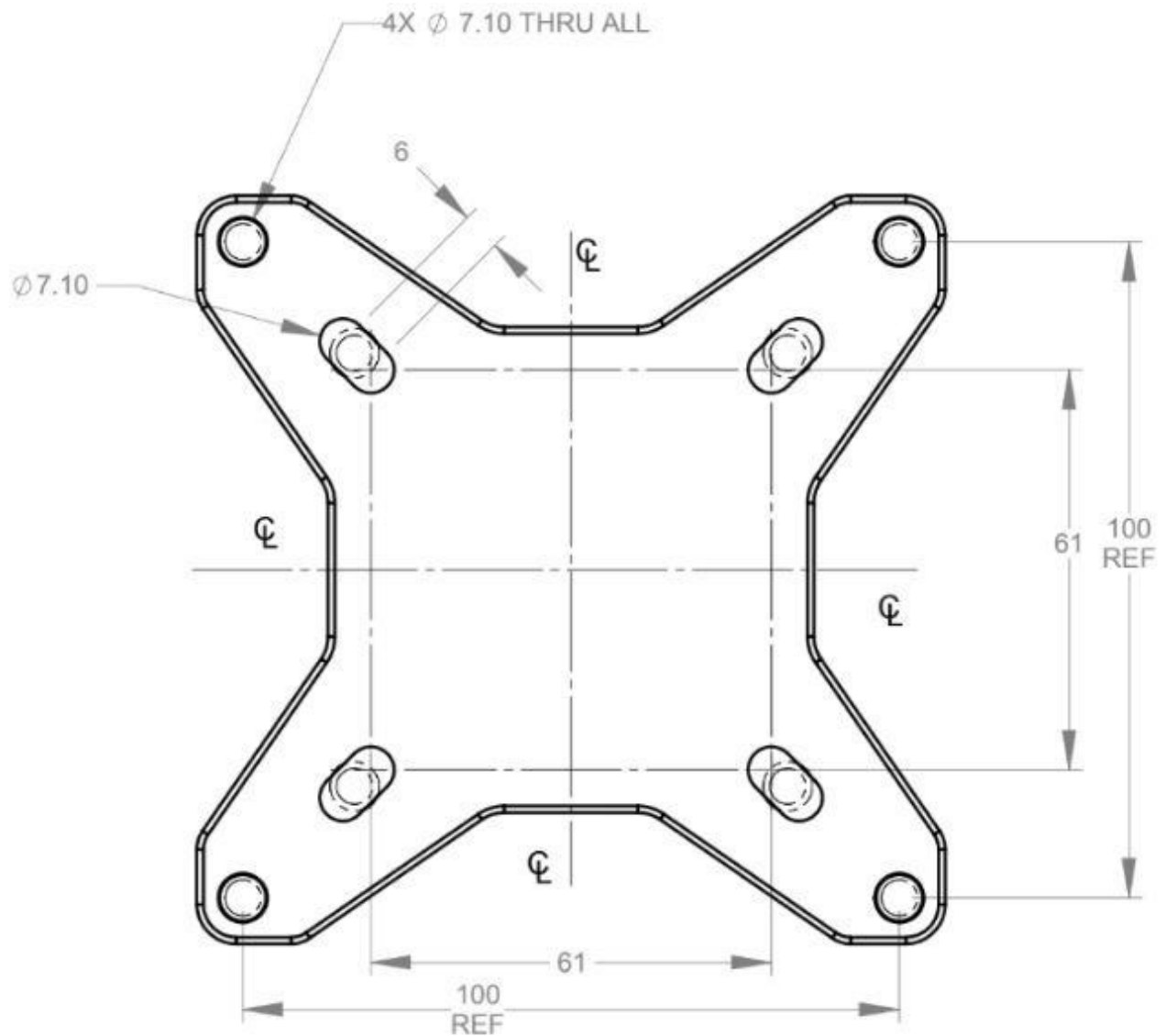
Color	Grey
Weight	1.9 lbs.
Mounting	Mast or Wall
Azimuth Resolution Step	2" on wall
Tilt Resolution Step	2" on pole and wall
Material	Aluminum





Slot is
1/2 inch (13 mm)
X
5/32 inch (4 mm)





ALL DIMENSIONS ARE IN mm