

6

5

4

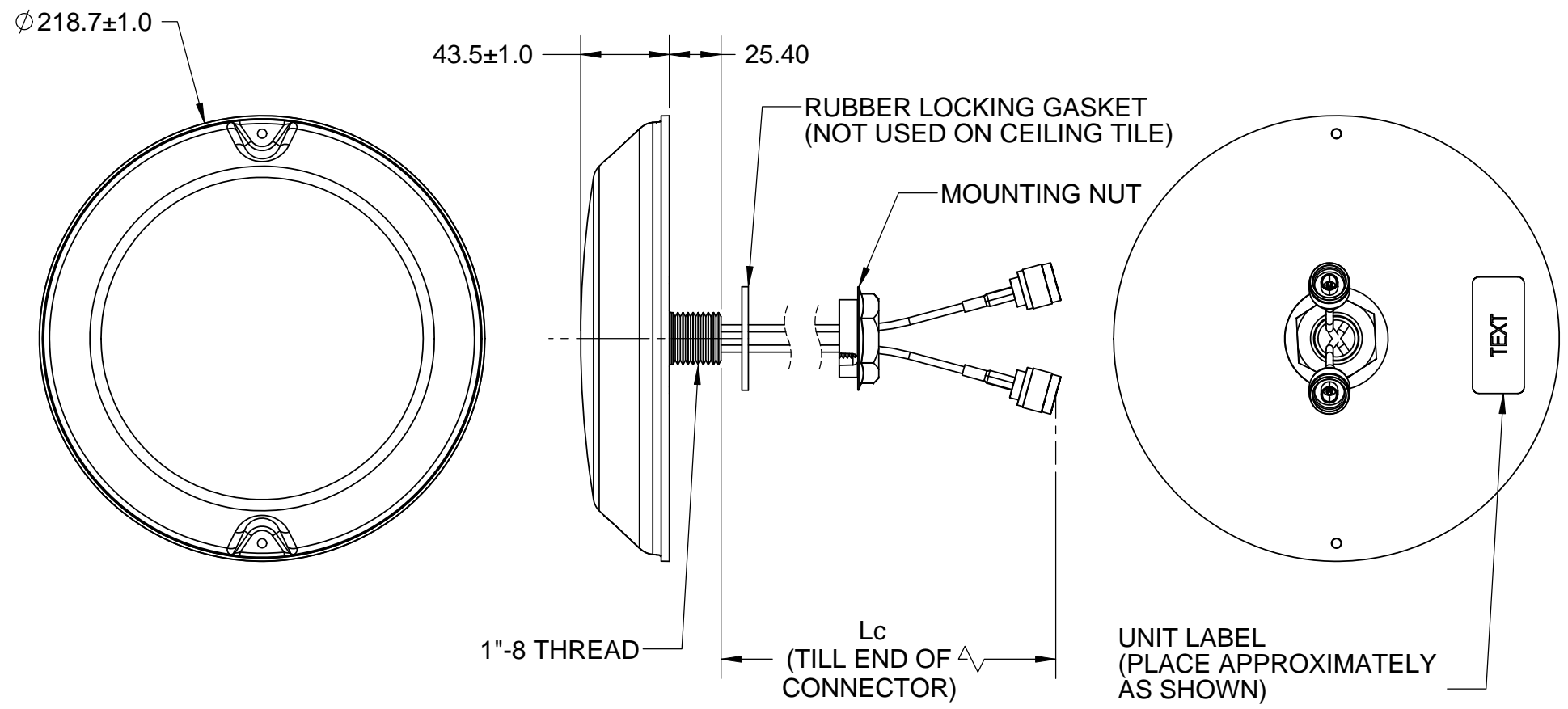
3

2

1

| REVISIONS | | | | | |
|-----------|------|------|-----------------|------------------|--------------------|
| REV. | ECR# | ZONE | DESCRIPTION | CHANGED BY/DATE | APPROVED BY/DATE |
| 1 | | | INITIAL RELEASE | WT NG 10/14/2010 | GJ CHIN 10/14/2010 |

| TYPICAL ELECTRICAL SPECIFICATIONS | |
|-----------------------------------|---|
| Frequency Range | 698 MHz-960MHz 1710MHz -2700 MHz |
| Gain | 3.35 dBi @ 700 MHz Band 4.4 dBi @ 800 / 900 MHz Band 5.0 dBi @ 1800/1900/UMTS MHz Band 5.6 dBi @ 2400/ 2500 MHz Band |
| Average Efficiency | 93% @ 700 MHz Band 89% @ 800 / 900 MHz Band 85% @ 1800/1900/UMTS MHz Band 85% @ 2400/ 2500 MHz Band |
| Polarization | Linear, Omnidirectional Radiation pattern |
| Nominal Impedance | 50 Ohms |
| VSWR | 2:1 max across the bands |
| Maximum Power Input | 10 Watt |
| RF Connector | 2X N MALE (Plug) |
| Pigtail Length | Lc |
| Cable type | Plenum Rated |
| Weigth | 0.41kg |
| Radome | White |
| RoHs | Compliant |



| MATERIAL: N/A | | THIRD ANGLE PROJECTION | | INFRASTRUCTURE ANTENNA SYSTEMS PENANG, MALAYSIA | | | | | | | | | | | |
|--|----------|---|------|---|----------|---------------------|----------|----------------------|----------|---------------|----------|---|--|--------------------------|--|
| FINISH: N/A | | DO NOT SCALE DRAWING | | TITLE: MOUNTING & OUTLINE CMD69273 | | | | | | | | | | | |
| <table border="1"> <thead> <tr> <th>APPROVALS</th> <th>DATE</th> </tr> </thead> <tbody> <tr> <td>DRAWN BY: WT NG</td> <td>10-14-10</td> </tr> <tr> <td>PROJ. ENG.: LL TEOH</td> <td>10-14-10</td> </tr> <tr> <td>APPL. MECH.: GJ CHIN</td> <td>10-14-10</td> </tr> <tr> <td>MFG.: CH FONG</td> <td>10-14-10</td> </tr> </tbody> </table> | | APPROVALS | DATE | DRAWN BY: WT NG | 10-14-10 | PROJ. ENG.: LL TEOH | 10-14-10 | APPL. MECH.: GJ CHIN | 10-14-10 | MFG.: CH FONG | 10-14-10 | INTERPRET DIMENSIONING AND TOLERANCING IN ACCORDANCE WITH ASME Y14.5M-2009 TOLERANCES UNLESS OTHERWISE SPECIFIED DIMENSIONS ARE IN MILLIMETERS | | SIZE A3 | |
| APPROVALS | DATE | | | | | | | | | | | | | | |
| DRAWN BY: WT NG | 10-14-10 | | | | | | | | | | | | | | |
| PROJ. ENG.: LL TEOH | 10-14-10 | | | | | | | | | | | | | | |
| APPL. MECH.: GJ CHIN | 10-14-10 | | | | | | | | | | | | | | |
| MFG.: CH FONG | 10-14-10 | | | | | | | | | | | | | | |
| | | ANGLE: ±30' 0 PLACE DECIMAL: ±0.5 1 PLACE DECIMAL: ±0.25 2 PLACE DECIMAL: ±0.13 SURFACE ROUGHNESS 1.6/√ | | DWG. NO. CMD69273MO | | | | | | | | | | | |
| | | SCALE: 1:3 | | PREVIOUS# | | | | | | | | | | | |
| | | | | REV 1 | | | | | | | | | | | |
| | | | | SHEET 1 OF 1 | | | | | | | | | | | |

DRAFT

The component(s), including any plating, finishes, coatings, chemicals and surfaces treatments, supplied in this document/drawing must conform and comply with the latest issue of Laird Technologies Specification LT-GES-001, which fully includes but is not limited to all contents of EU Directives 2002/95/EC (RoHS Directive), as well as includes requirements of the Joint Industry Guide standard JIG-101, April 2005. The component(s) in this document/drawing may be subject to a full compound analysis for proof of compliance. The latest issue of Laird Technologies Specification LT-GES-001, (General Specification for the Environment) is readily available upon request from the supplier.

UNLESS OTHERWISE NOTED, THIS DOCUMENT CONTAINS LAIRD TECHNOLOGIES CONFIDENTIAL INFORMATION. REPRODUCTION, USE, DISCLOSURE OR TRANSMITTAL OF ALL OR ANY PART OF THIS DOCUMENT IS PROHIBITED EXCEPT TO THE EXTENT APPROVED IN WRITING BY AN AUTHORIZED REPRESENTATIVE OF LAIRD TECHNOLOGIES. LAIRD TECHNOLOGIES RESERVES ALL RIGHTS UNDER PATENTS, TRADEMARKS, COPYRIGHTS AND TRADE SECRETS. COPYRIGHT, LAIRD TECHNOLOGIES 2010, ALL RIGHTS RESERVED.

6

5

4

3

2

1