

6

5

4

3

2

1

REVISIONS					
REV.	ECN#	ZONE	DESCRIPTION	CHANGED BY/DATE	APPROVED BY/DATE
2			ADD IN GASKET; REVISED SPECIFICATION TABLE	YS TAN 05JUN17	WT NG 05JUN17
F01			PRODUCTION RELEASED; REMOVED MOUNTING NUT AND GASKET; REVISED SPECIFICATION TABLE	YS TAN 04AUG17	WT NG 04AUG17
F02	ECN-IAS-06336		REVISED PEAK GAIN FOR 2300-2500MHz FREQ. BAND; REVISED ISOLATION FOR 698-960MHz FREQ. BAND	YS TAN 10AUG17	WT NG 10AUG17

D

D

C

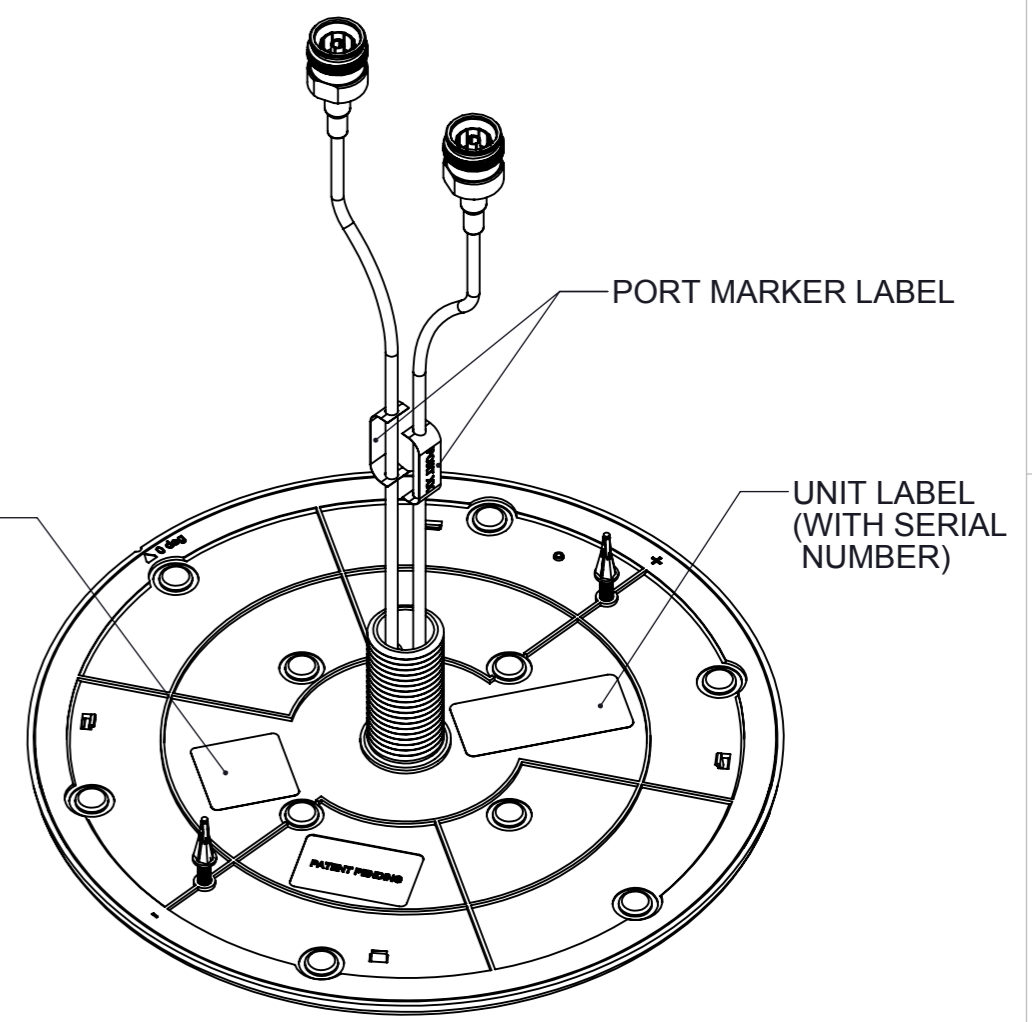
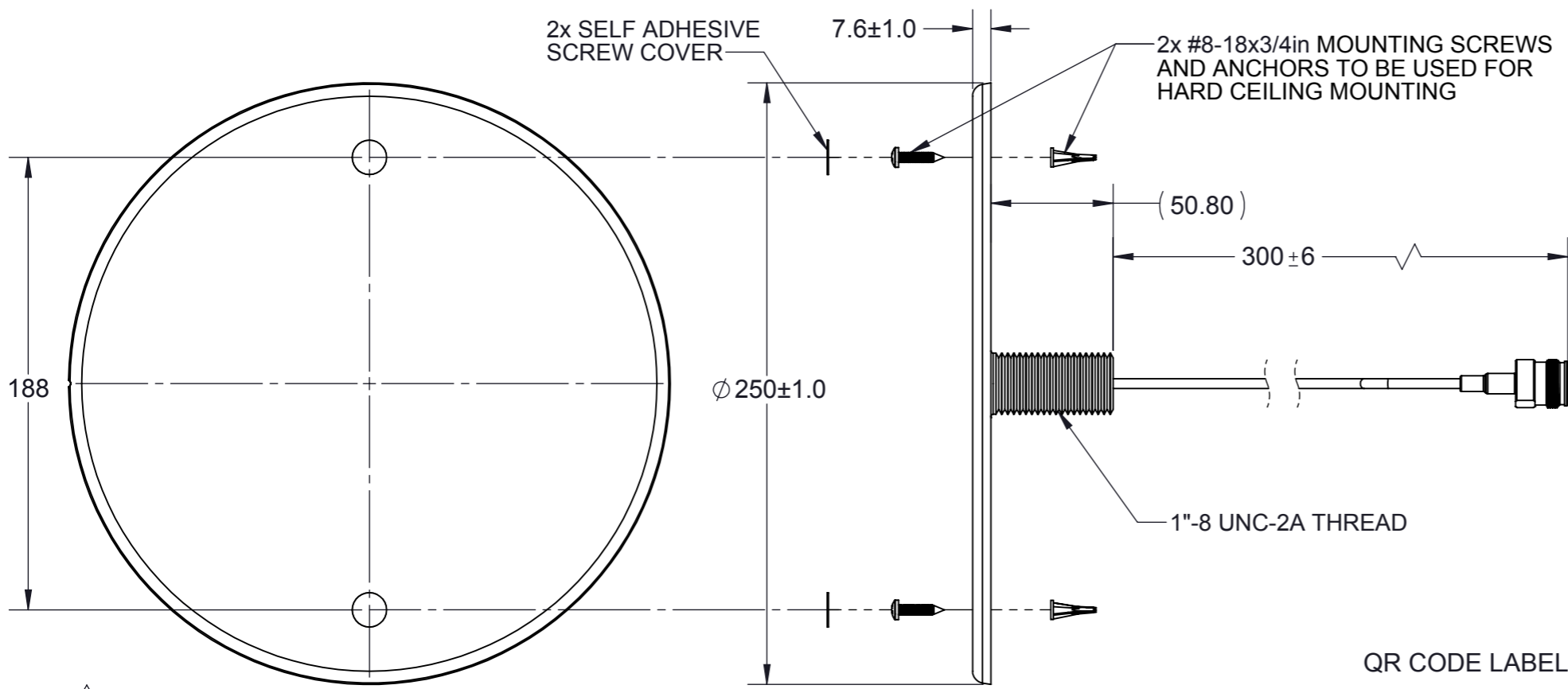
C

B

B

A

A



F02

PARAMETER	SPECIFICATION										
Part No	CFD69383P1-30D43F										
Ports	2										
Frequency Bands, MHz	698-806	824-894	880-960	1350-1550	1690-1880	1850-1990	1910-2180	2300-2500	2500-2700	3300-4000	
Peak Gain, dBi (Max)	3.8	3.7	4.2	5.0	4.7	4.3	6.0	5.0	5.7	5.4	
VSWR, Max	< 1.5:1		< 2.0:1		< 1.8:1			< 2.0:1			
PIM, 3rd Order, 2 x 20W (Max), dBc	< -150				< -150						
Isolation, dB (Min)	> 18		> 13		> 15			> 25	> 28	> 25	
Nominal Impedance, Ω	50										
Polarization	Linear - Horizontal										
Azimuth Beam Width, °	360, Omnidirectional										
Max Power (Ambient 25°C/77°F), Watt	50										
Cable Length, cm/Connector	30/ 4.3-10, Female										
Antenna Dimension (Ht x Dia), mm	7.6 x 250										
Weight (Approximation), g	440										
Antenna Color	White										
Radome	PC, UL94-V0										
Operating Temperature, °C	-30 to +70										
Storage Temperature, °C	-40 to +85										
RoHS Compliance	YES										

MATERIAL: N/A		THIRD ANGLE PROJECTION	
FINISH: N/A		DO NOT SCALE DRAWING	
APPROVALS		DATE	
DRAWN BY	YS TAN	22MAY17	
ELEC. ENG.	CC SU	22MAY17	
MECH. ENG.	YS TAN	22MAY17	
MFG./OPS.	HE KHOR	22MAY17	
INTERPRET DIMENSIONING AND TOLERANCING IN ACCORDANCE WITH ASME Y14.5M-2009		TOLERANCES UNLESS OTHERWISE SPECIFIED	
DIMENSIONS ARE IN MILLIMETERS		ANGLE: ±30'	
		0 PLACE DECIMAL: ±0.5	
		1 PLACE DECIMAL: ±0.25	
		2 PLACE DECIMAL: ±0.13	
		SURFACE ROUGHNESS 1.6/√	

Laird IAS, PENANG MALAYSIA

TITLE: CFD69383P1-30D43F MOUNTING & OUTLINE

SIZE: A3 **DWG. NO.:** CFD69383P1-30D43FMO **REV:** F02

SCALE: 2:5 **PREVIOUS#:** **SHEET 1 OF 1**

UNLESS OTHERWISE NOTED, THIS DOCUMENT CONTAINS LAIRD CONFIDENTIAL INFORMATION. REPRODUCTION, USE, DISCLOSURE OR TRANSMITTAL OF ALL OR ANY PART OF THIS DOCUMENT IS PROHIBITED EXCEPT TO THE EXTENT APPROVED IN WRITING BY AN AUTHORIZED REPRESENTATIVE OF LAIRD. LAIRD RESERVES ALL RIGHTS UNDER PATENTS, TRADEMARKS, COPYRIGHTS AND TRADE SECRETS. COPYRIGHT, LAIRD 2017, ALL RIGHTS RESERVED.

6

5

4

3

2

1