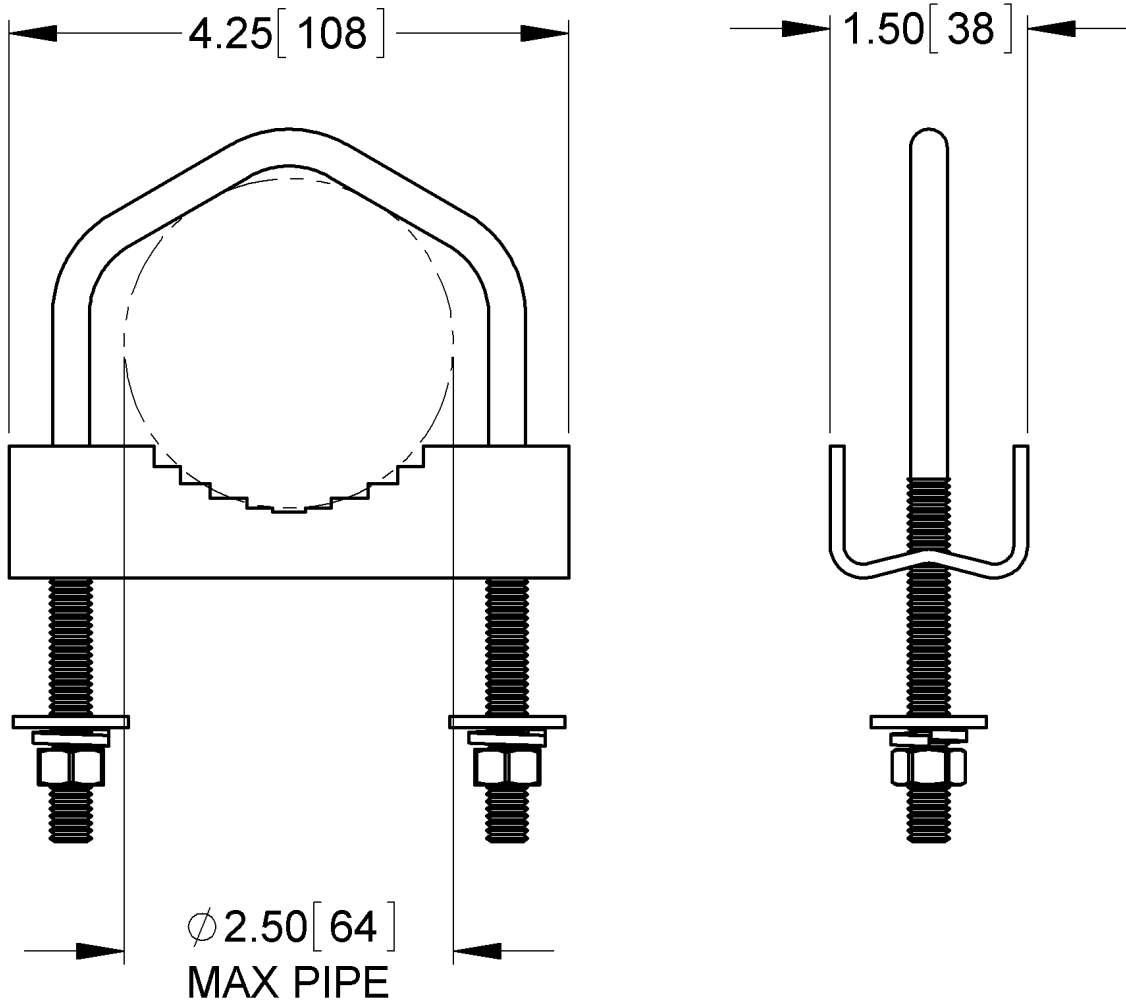


CLAMP, YA3, YA5 & YA6
MOUNTING HARDWARE

YAGIKITHD
Series : ANTENNA



All dimensions are in inches (mm)

Issue: 1150

In the effort to improve our products, we reserve the right to make changes judged to be necessary.

CONFIDENTIAL AND PROPRIETARY INFORMATION

This document contains confidential and proprietary information of Pulse Electronics, Inc. (Pulse) and is protected by copyright, trade secret and other state and federal laws. Its receipt or possession does not convey any rights to reproduce, disclose its contents, or to manufacture, use or sell anything it may describe. Reproduction, disclosure or use without specific written authorization of Pulse is strictly forbidden



CLAMP, YA3, YA5 & YA6
MOUNTING HARDWARE

YAGIKITHD
Series : **ANTENNA**

MECHANICAL SPECIFICATIONS

| | |
|----------------|--------------------|
| Material | Zinc plated steel |
| Weight | 257.4 g |
| Overall length | See sheet 1 INCHES |

ENVIRONMENTAL SPECIFICATIONS

| | |
|-----------------------|------------|
| Operating temperature | -40/+85 °C |
|-----------------------|------------|

Issue: 1150

In the effort to improve our products, we reserve the right to make changes judged to be necessary.

CONFIDENTIAL AND PROPRIETARY INFORMATION

This document contains confidential and proprietary information of Pulse Electronics, Inc. (Pulse) and is protected by copyright, trade secret and other state and federal laws. Its receipt or possession does not convey any rights to reproduce, disclose its contents, or to manufacture, use or sell anything it may describe. Reproduction, disclosure or use without specific written authorization of Pulse is strictly forbidden



Mouser Electronics

Authorized Distributor

Click to View Pricing, Inventory, Delivery & Lifecycle Information:

Pulse:

YAGIKITHD