

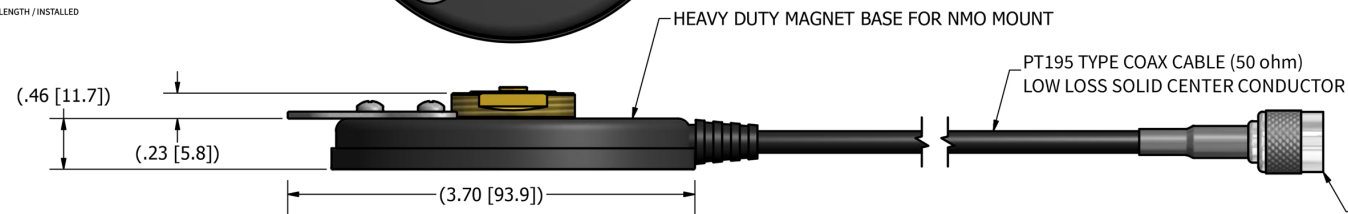
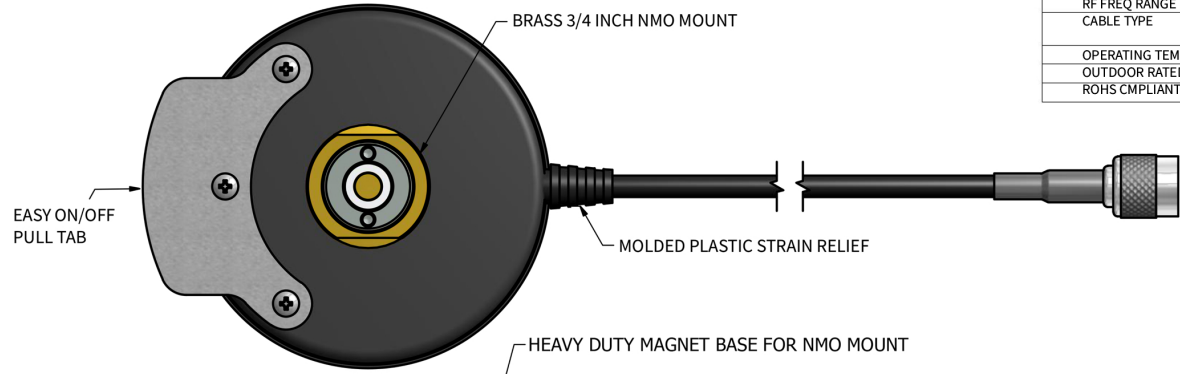
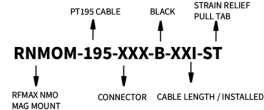


Heavy Duty 3/4 inch NMO Mag-Mount for 0-6 GHz Antennas

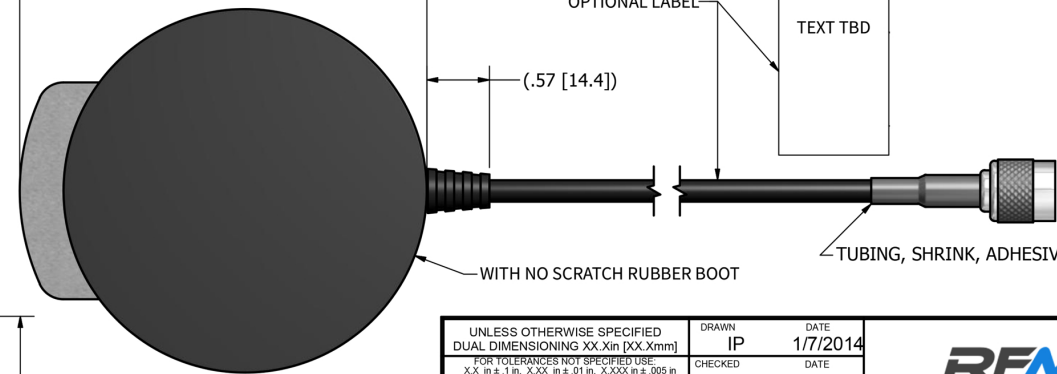
NOTES: UNLESS OTHERWISE SPECIFIED

1. DIMENSIONS IN PARENTHESIS ARE FOR REFERENCE ONLY AND NO TOLERANCE IS IMPLIED.
2. PACK MAGNET MOUNT IN BUBBLE BAG AND THEN WHOLE PRODUCT INTO POLYBAG. PRINT PACKAGE LABEL AS SHOWN BELOW.

SPECIFICATIONS	
RF FREQ RANGE	0-6 GHz
CABLE TYPE	PT195 Low Loss, Solid Center
OPERATING TEMP	-40 to +85C
OUTDOOR RATED	Yes
ROHS COMPLIANT	Yes



- MUM = MINI UHF MALE
- RSM = RP SMA MALE
- RTM = RP TNC MALE
- SBM = STD. BNC MALE
- SNM = STD. N MALE
- STM = STD. TNC MALE
- SSM = STD. SMA MALE
- SUM = STD. UHF MALE



PACKAGE LABEL PRINTED ON POLYBAG

Date Code YYMMDD

RNMOM-195-XXX-B-XXI-ST

MOUNT, MAGNETIC MOBILE. HEAVY-DUTY, BLACK, PULL TAB, STRAIN RELIEF, PT195 CABLE

DATE CODE FORMAT: YYMMDD
 YY: 2 DIGIT YEAR (EX. 16)
 MM: 2 DIGIT MONTH OF YEAR
 DD: 2 DIGIT DAY OF MONTH

UNLESS OTHERWISE SPECIFIED DUAL DIMENSIONING XX.Xin [XX.Xmm]	DRAWN IP	DATE 1/7/2014
FOR TOLERANCES NOT SPECIFIED USE: X.X in ± .1 in, XX.X in ± .01 in, XXX.X in ± .005 in [X mm ± 3 mm, [X.X mm ± .3 mm], [X.XX mm ± .13 mm]	CHECKED	DATE
ANGULARS: 1° FRACTIONAL ± 1/64	MATERIAL: SEE COMP. PRINTS	
THIRD ANGLE PROJECTION	FINISH: SEE COMP. PRINTS	
PROPRIETARY DATA THE INFORMATION AND/OR DRAWINGS CONTAINED IN THIS DOCUMENT IS CONFIDENTIAL AND PROPRIETARY TO RFMAX AND MAY NOT BE USED, REPRODUCED, IN WHOLE OR IN PART, OR MODIFIED IN ANY WAY WITHOUT THE EXPRESS WRITTEN PERMISSION OF AN AUTHORIZED REPRESENTATIVE OF RFMAX.		

DESCRIPTION: MOUNT, MAGNETIC MOBILE. HEAVY-DUTY, BLACK, PULL TAB, STRAIN RELIEF, PT195 CABLE

DRAWING NO. **RNMOM-195-XXX-B-XXI-ST**

SIZE B SCALE 1:1 SHEET 1 OF 1