

RBDM "BRICK" Antenna Installation Guide

This installation guide is applied for RBDM family antennas.

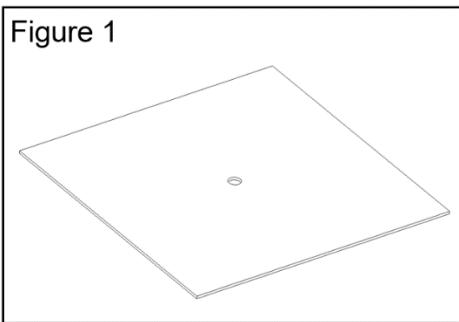
Step 1:

Drill a 1.024inch(26mm) hole at the location where the center of the antenna will be located on the vehicle. As shown in Figure 1.

*Mount the antenna on the outside of the vehicle (roof or trunk)

The max roof or trunk thickness can be up to 0.3"

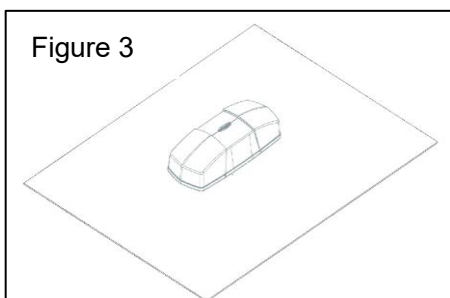
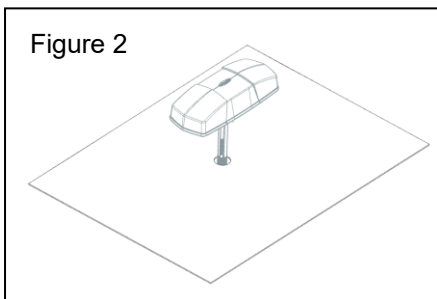
* Clean the surface where the antenna will be mounted on the vehicle to remove dust, dirt, and oil for the purpose of achieving IP67 sealing after the antenna is installed.



Step 2:

Pass antenna cables through the hole and position the antenna on the vehicle. As shown in Figure 2 and Figure 3.

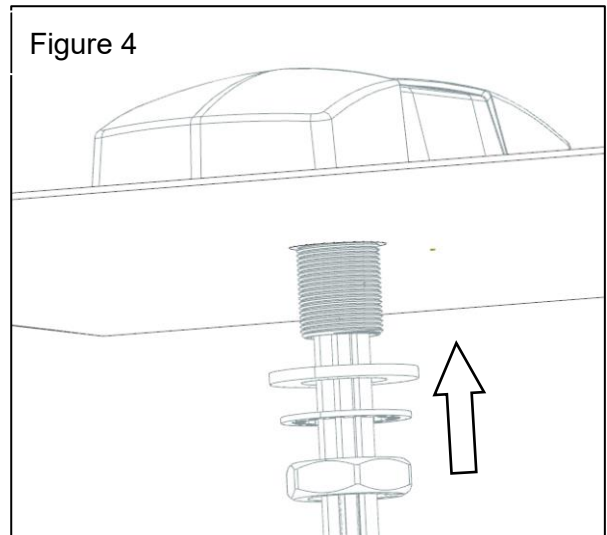
*When routing cables, do not pull-on connectors. Pulling directly on connectors can cause internal damage and signal loss at the radio receiver, GPS, or modem. Instead, when routing cables, pull on the coaxial cable only.



Step 3:

Slide the Plate Washer, Star Washer, and Nut (M22) onto the cables. Fasten the Nut to secure the antenna against the vehicle. See Figure 4.

***Recommended fastening torque: 20-25Nm.**



• Cleaning

- Materials: Lint-free clean cloth
- The part surface must be free of any pollution such as grease, release agent, fingerprints, etc.
- Clean the Radome and cable with a clean cloth at regular intervals.

Notice:

Do not use cleaning agents containing solvents (such as gasoline, acetone, petroleum turpentine)

• Maintenance

The device doesn't require any preventive maintenance.