

Low Profile "Brick" Antenna for Motorola APX 8500 Tri Band -VHF/UHF/P25 RBDM-155/455/758-17-S-B



Finally, a Low-Profile antenna for the Motorola APX 8500 All-Band P25 radio. **No more broken antennas!**

- VHF Frequencies: 153-157 MHz
- UHF Frequencies: 440-470 MHz
- P25 Frequencies: 750-870 MHz
- Max Power: 100 Watts
- Size (W x H x L): 3.49 x 3.78 x 7.97 Inches
- Connector: SMA-Male, TNC-Male, QMA-Male, Mini UHF-Male
- Color: Black
- Also available for T-Band UHF (use part # RBDM-155/490/758-17-S-B)



APPLICATIONS:

- For Public Safety Vehicles i.e Ford Interceptors, PIU, Chevy Tahoe, etc.
- Vehicle Roof Mount Antenna - stud mount
- Works with Motorola APX8500, APX6500, APX4500, Harris Unity XG-100

ELECTRICAL

Frequency Range	VHF MHz	153-157
	UHF MHz	440-470
	P25 MHz	750-870
Average Peak Gain	dBi	~1
		1.4
		2.7
VSWR	3.5:1 /2:1 /2:1	
Impedance	50 Ohm	
Radiation	Omnidirection	
Polarization	Vertical	
Efficiency	43%/57%/47%	
HPBW Vertical Plane	90/70/60	
DC Ground	Yes	

ENVIRONMENTAL

Hazardous Substances	RoHS Compliant
Temperature	-40°C to 85°C Operating and Storage
Military Spec	MIL-STD 810 conformance to vibration
Water Ingress	IP67

MOUNTING

Dimensions	15.9mm (7/8 inch) hole required
------------	---------------------------------

MECHANICAL

Dimensions	3.49 in / 3.78 in/7.97 in (W x H x L)
Weight	529g (1.16lbs)
Color	Black
Connector	SMA, TNC, QMA, or Mini UHF
Max Power	100 Watts

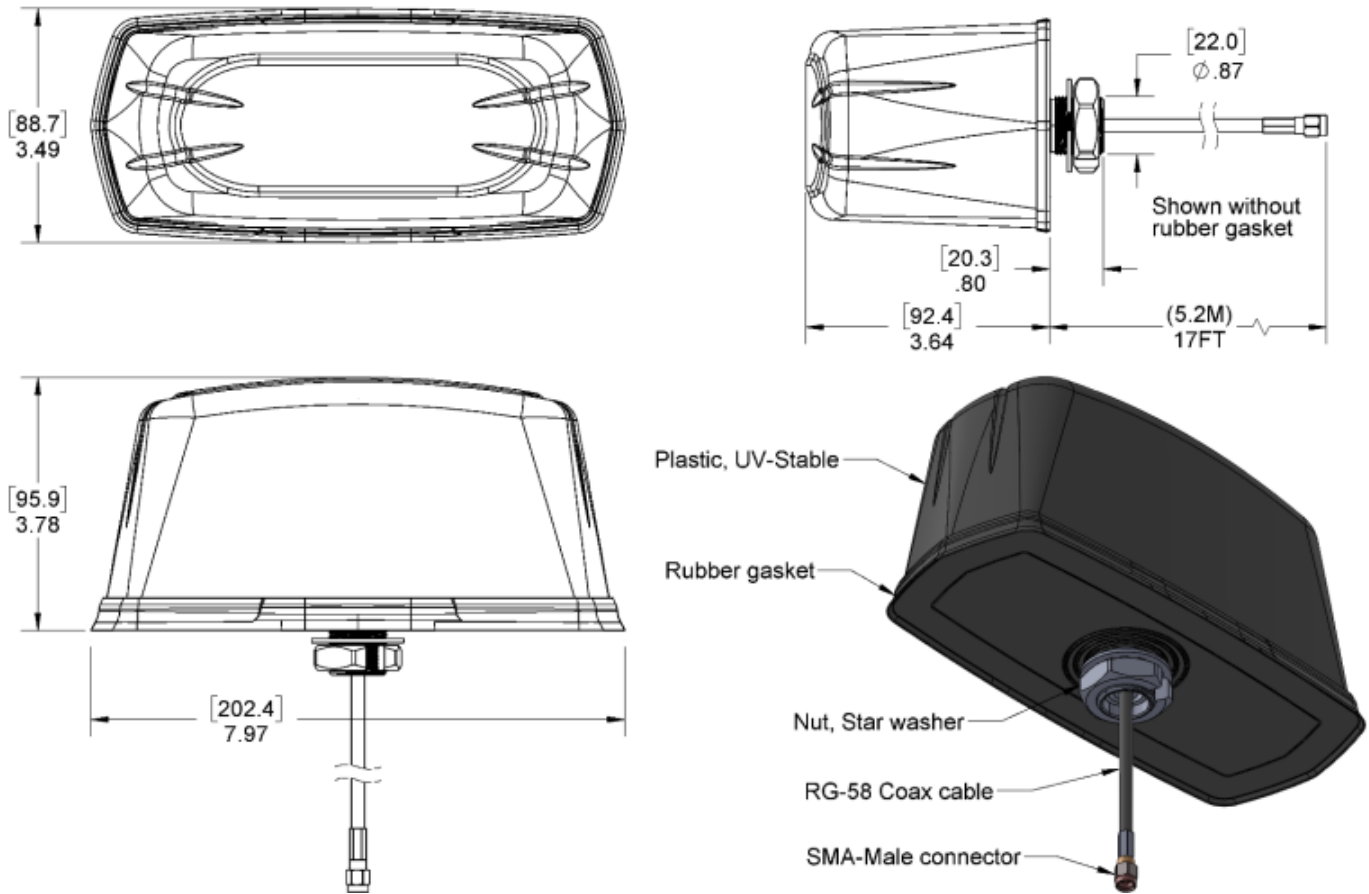
Notes:

1. Antenna measured with 17ft RG-58 cable and 40 inch metal ground plane.
2. Power: 100 Watt maximum input power
3. Metal roof mount, 7/8 inch hole required. Must be directly shorted to metal roof (remove paint if necessary).



SMA Male Connector and QMA, TNC and Mini UHF adapters included.

MECHANICAL DRAWING



Dimensions: Inches (mm)
Unless otherwise specified, all tolerances are $\pm .010$ (0.25mm)

Packaging

Packaging info:

1 antenna packed in a plastic bag.

1 label on each plastic bag with part number, description, date code.

Notes:

1. Please contact sales for availability, lead time, and/or any special requests. Samples available upon request.