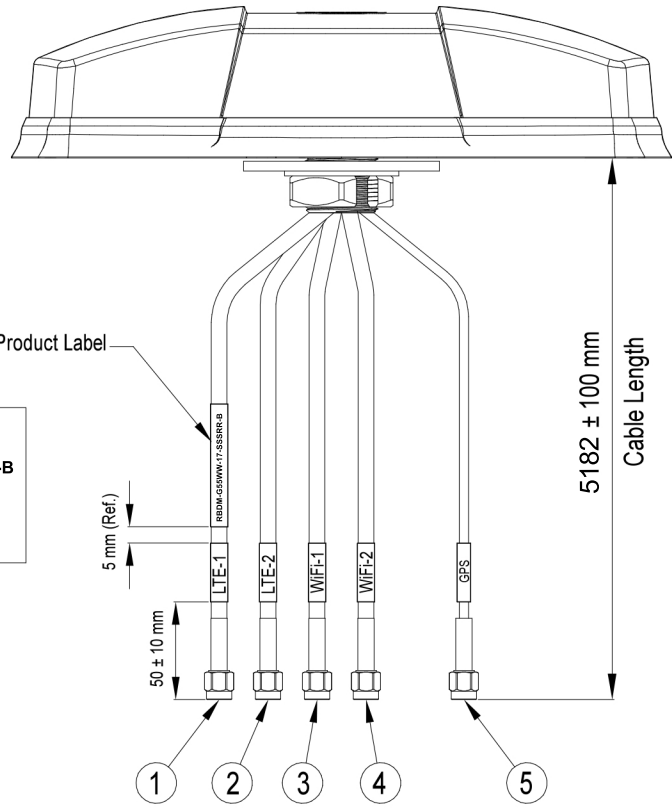


| A | | B | | C | | D | |
|------|---------------|---|------|--------------|------|------|--------|
| MOD | Description | Reliability Test Spec according to WHS7.5.33 (Reliability Test Working Instruction) Default test standard is Test Standard A if no definition | | RoHS REQUEST | | | |
| ITEM | Cd | Hg | Pb | Cr6+ | PBB | PBDE | OTHERS |
| 01 | First release | 100 | 1000 | 1000 | 1000 | 1000 | |



Product Label Content

RBDM-G55WW-17-SSSRR-B
Rev.: V01
Date: DD-MM-YYYY

| RBDM-G55WW-17-SSSRR-B | CABLE | CABLE LENGTH | CONNECTOR |
|-----------------------|-------------------|--------------|-------------|
| 1 | LTE-1 Cable Assy | 5182 mm / | SMA Male |
| 2 | LTE-2 Cable Assy | | |
| 3 | WiFi-1 Cable Assy | 204" / | RP-SMA Male |
| 4 | WiFi-2 Cable Assy | | |
| 5 | GPS Cable Assy | 17 FT | SMA Male |

* or equivalent

Functional Characteristics Key (Cpk requirement: Cpk > 1)

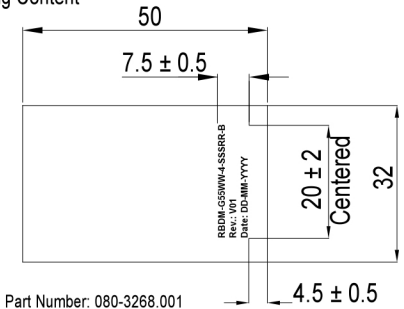
◆ Process Capability Studies required (total pcs)

◇ Ongoing Statistical Process Control Required (total pcs)

* Critical dimension need to be measured, no CPK requirement (total pcs)

Notes:

1. Product Label Printing Content and Location



- 1.1. Original Blank Label Part Number: 080-3268.001
- 1.2. Print the text with the waterproof ink.
- 1.3. Font: Arial, Text Height: 2mm
- 1.4. Wrap the revision label around the cable in the specified location and direction. (shown in this drawing)

| TOLERANCE OF LINER DIMENSIONS | |
|-------------------------------|-----------|
| Dimension | Tolerance |
| 0.5 - 6 | ± 0.05 |
| 6 - 30 | ± 0.07 |
| 30 - 50 | ± 0.1 |
| 50 - 120 | ± 0.15 |

| TOLERANCE OF ANGULAR DIMENSIONS | |
|--|-----------|
| FINE: ISO 2768-f | |
| Dimension of chamfer size (millimeter) | Tolerance |
| up to 10 | ± 1° |
| 10 - 50 | ± 0.5° |

| TOLERANCE OF RADI AND CHAMFERS | |
|--------------------------------|-----------|
| FINE: ISO 2768-f | |
| Radii: chamfer height | Tolerance |
| 0.5 - 3 | ± 0.2 |
| 3 - 6 | ± 0.5 |
| over 6 | ± 1 |

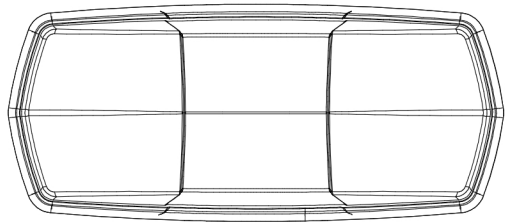
Confidential
This is a proprietary information of RFMAX
No reproduction/copying is allowed without permission.

| | | | | | | |
|------------|---|-------------------|--------------|------------------|----|----------|
| | THIRD ANGLE PROJECTION | SHEET NUMBER | 1 / 3 | | | |
| | | GENERAL TOLERANCE | | | | |
| | SCALE | CUSTOMER NUMBER | | | | |
| | 1 : 2 | DESIGN | Ralf | Jun-18-2017 | | |
| | | CHECKED | | | | |
| | | APPROVED | | | | |
| PRODUCT(S) | RBDM-G55WW-17-SSSRR-B | DOCUMENT NUMBER | PART VERSION | DOCUMENT VERSION | | |
| ITEM | Label Instruction for RBDMG55WW17SSSRRB | RBDMG55WW17SSSRRB | V01 | 01 | 01 | |
| | | MOD | DATE | NAME | | |
| | | | | | 01 | 20211015 |
| | | | | | | Jessie |

| MOD | Description | Reliability Test Spec according to WHS7.5.33 (Reliability Test Working Instruction) Default test standard is Test Standard A if no definition |
|-----|---------------|---|
| 01 | First release | |

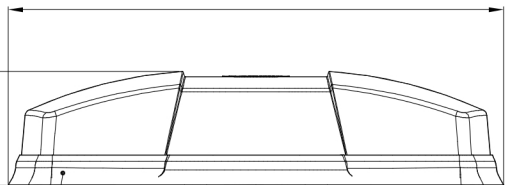
| RoHS REQUEST | | | | | | | |
|--------------|-----|------|------|------|------|------|--------|
| ITEM | Cd | Hg | Pb | Cr6+ | PBB | PBDE | OTHERS |
| PPM< | 100 | 1000 | 1000 | 1000 | 1000 | 1000 | |

| TOLERANCE OF LINEAR DIMENSIONS | |
|--|-----------|
| Dimension | Tolerance |
| 0.5 - 6 | ±0.05 |
| 6 - 30 | ±0.07 |
| 30 - 50 | ±0.1 |
| 50 - 120 | ±0.15 |
| TOLERANCE OF ANGULAR DIMENSIONS FINE ISO 2768-F | |
| Dimension of square size (millimeter) | Tolerance |
| up to 10 | ±1° |
| 10 - 50 | ±0.30° |
| TOLERANCE OF RADIUS AND CHAMFERS FINE ISO 2768-F | |
| Radius, chamfer height | Tolerance |
| 0.5 - 3 | ±0.2 |
| 3 - 6 | ±0.5 |
| over 6 | ±1 |



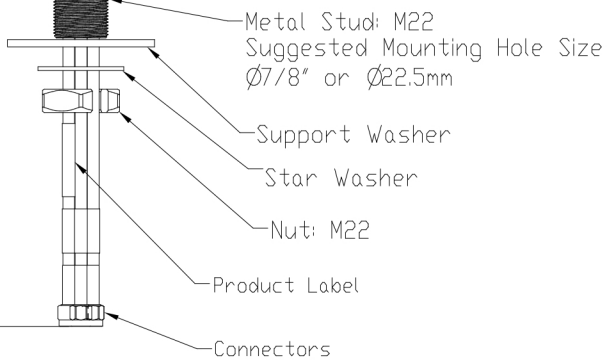
202.3±2.5 [7.96" ±0.1"]

46.42±2.5
[1.77" ±0.1"]

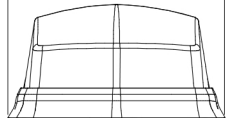


5182 ±100

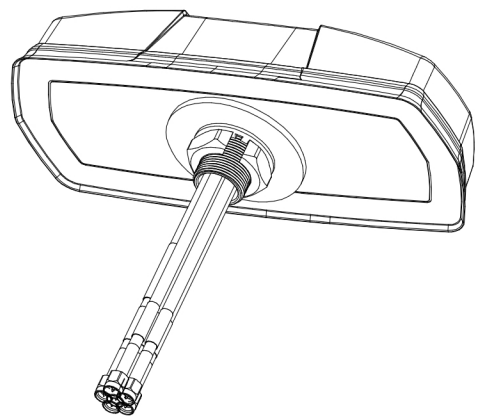
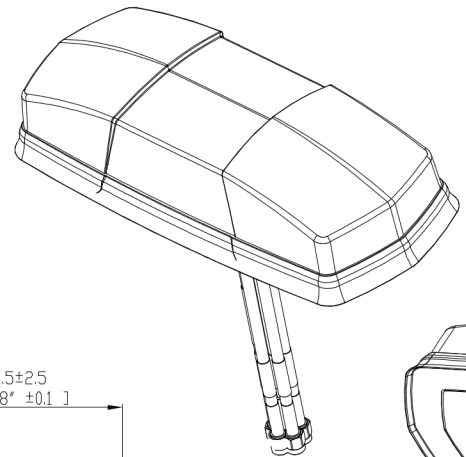
Rubber Gasket



88.5±2.5
[3.48" ±0.1"]



Screw the Crate washer, Lock washer and Nut slightly tight by fingers.



- Notes;
1. Plastic Housing: Sabic PC943, Black
Finish: MT11015
 2. Surface quality according to RFXMAX visual quality standard (PQ.5.030.000 ClassII), if nothing else is specified.
 3. Part surface must be clean from any pollution such as grease, release agent, finger prints etc.
 4. Electrical and Environmental specification, see product TDS. All antennas needs to be RF measured, see instructions from Product RF measuring Instructions.
 3. Product label, see the label instruction.

| RBDMG55WW17SSRRB | CABLE | CABLE LENGTH | CONNECTOR |
|------------------|-------------------|------------------------------|-------------|
| 1 | LTE-1 Cable Assy | 5182 mm / 204" / 17 FT | SMA Male |
| 2 | LTE-2 Cable Assy | | |
| 3 | WiFi-1 Cable Assy | LMR-195 * | RP-SMA Male |
| 4 | WiFi-2 Cable Assy | | |
| 5 | GPS Cable Assy | LMR-100 * | SMA Male |

* or equivalent

Confidential
This is a proprietary information of RFXMAX
No reproduction/copying is allowed without permission.

Functional Characteristics Key (Cpk requirement : Cpk) >

◆ Process Capability Studies required (total pcs)

◆ Digging Statistical Process Control Required (total pcs)

◆ Critical dimension need to be measured, no CPK requirement (total pcs)

| | | | | | | |
|----------------|------------------------|-------------------|-------------------|--------------|----------|------------------|
| | THIRD ANGLE PROJECTION | SHEET NUMBER | 2 / 3 | | | |
| | | GENERAL TOLERANCE | | | | |
| SCALE 1 : 2 | DESIGN | RoI/F Ye | Jun-08-2017 | | | |
| | CHECKED | | | | | |
| | APPROVED | | | | | |
| PRODUCT(S) | RBDMG-G55WW-17-SSRRB-B | DOCUMENT NUMBER | RBDMG55WW17SSRRRB | PART VERSION | V01 | DOCUMENT VERSION |
| ITEM | RBDMG55WW17SSRRRB | | | 01 | 20211015 | Jessie |
| | | | | MOD | DATE | NAME |