



SharkFin 3-in-1 Series Roof Mount Antennas



The SharkFin style, 3-in-1 vehicular roof mount antennas from RFMAX combine high-performance at an economical price point. These models combine three separate holes in your vehicle roof. This antenna is the perfect alternative to combination antennas from other vendors... you no longer have to worry about lead time and high prices - you've found RFMAX!

From a technical standpoint, these antennas offer superior performance for the following three brands: 1575 MHz active GPS (3 or 5 volt) 698-2700 MHz 3g/4g/LTE cellular and 2.4 / 5 GHz with threaded stud, there isn't much these antennas can't do. Thousands of these antennas have been deployed around North America on commercial vehicles, including:

- Electric, gas, and cable TV utility vans and trucks
- Local police, County sheriff & State Trooper cruisers
- Fire department trucks & ambulances
- Taxi Cabs, livery vehicles & limousines



WIFI



LTE



GPS / GNSS



900 MHz



CUSTOMIZABLE

Designed to pair with many of today's most popular mobile cellular modems and gateways, including: Sierra Wireless / AirLink: GX440, GX450, LS300, MP70, Raven RV50. Cradlepoint: CBA750b-LPE, CBA850LPE, IBR650LPE, MBR1400LPE. CalAmp: 140-9324-000, 140-9324-100 & Peplink: MAX-BR1-ENT-LTE

ELECTRICAL DATA

Frequency (MHz)	Cable 1 (4G/LTE)	698-960/1710-2170/2500-2700
	Cable 2 (WiFi/WLAN)	241-2490/4920-5925
	Cable 3 (GPS/Glonass)	1575-1606
VSWR	4G/LTE: 698-960/1710-2170/2500-2700	<2:1
	WiFi/WLAN: 2410-2490/4920-5925	<1.5:1
Peak Gain (dBi)	4G/LTE: 698-960	1.2
	4G/LTE: 1710-2170	2.0
	4G/LTE: 2500-2700	3.1
	WiFi/WLAN: 2410-2490	4.1
	WiFi/WLAN: 4920-5925	2.5
Power Rating (W)		25
Impedance (ohm)		50

ENVIRONMENTAL DATA

Operating Temperature (Celsius)	-40 to + 85
Storage Temperature (Celsius)	-40 to + 85
ROHS Compliant	Yes
Ingress Protection	IP67, IP69

GPS/LNA DATA

Frequency (MHz)	1575.42/1598-1606
VSWR	<1.5:1
Return Loss (dB)	<15.0
Active Gain (dB)	28 @ 2.7 V
Noise Figure (dB)	1.5 Typ
Polarization	RHCP
Voltage (V)	1.5-3.6

MECHANICAL DATA

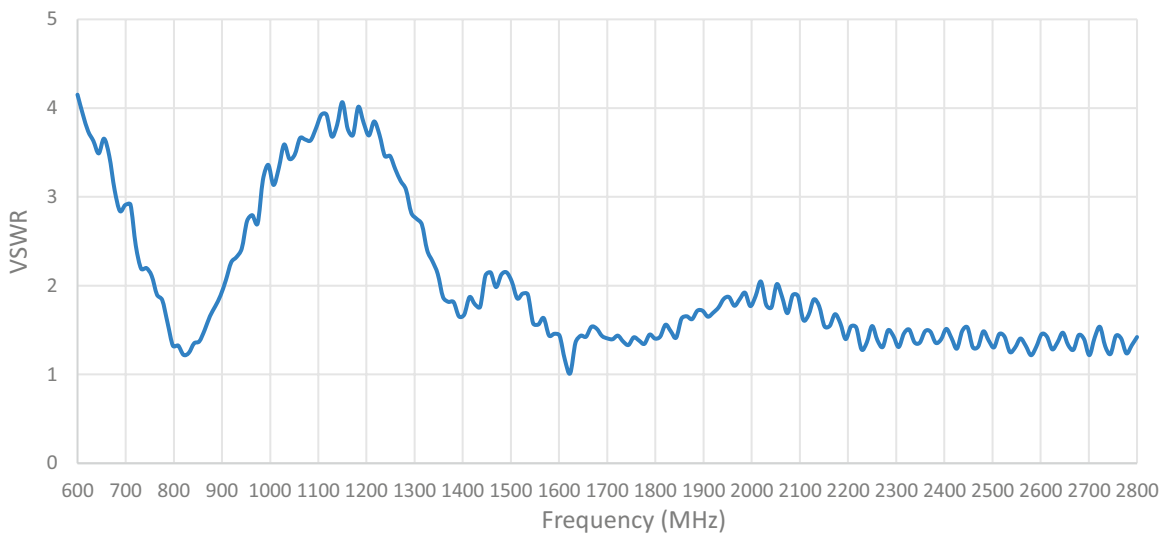
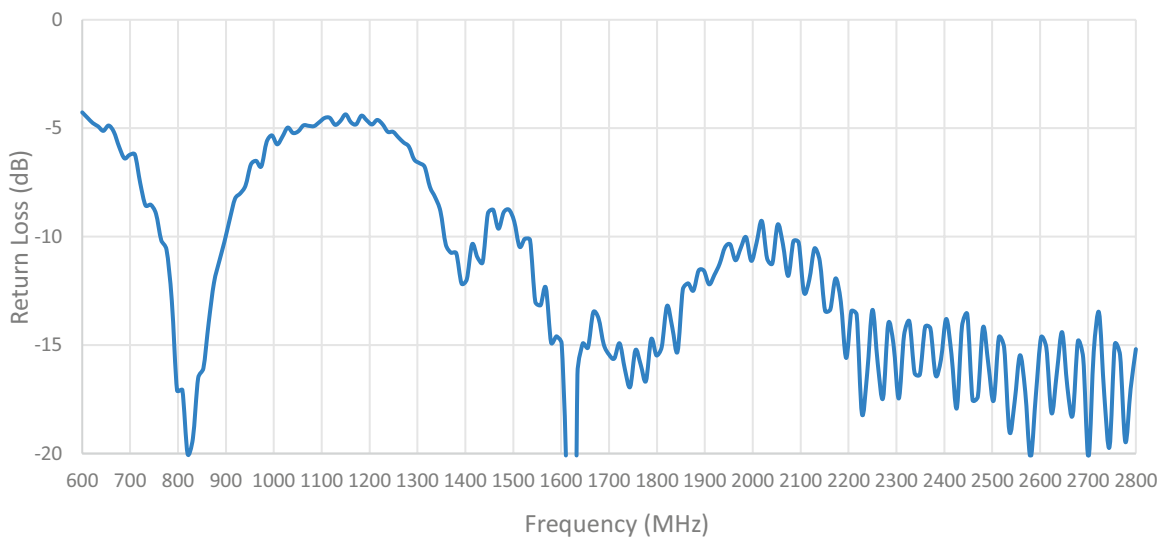
Color	Black
Mounting Type	Permanent/Stud Mount
Dimensions (Length x Width x Height)	"102 x 63 x 63 mm (4.02 x 2.48 x 2.48 inches)"
Max. Tighten Torque (Nm)	6 Nm
Radome Material	ASA UV Stable
Gasket Material	TPE

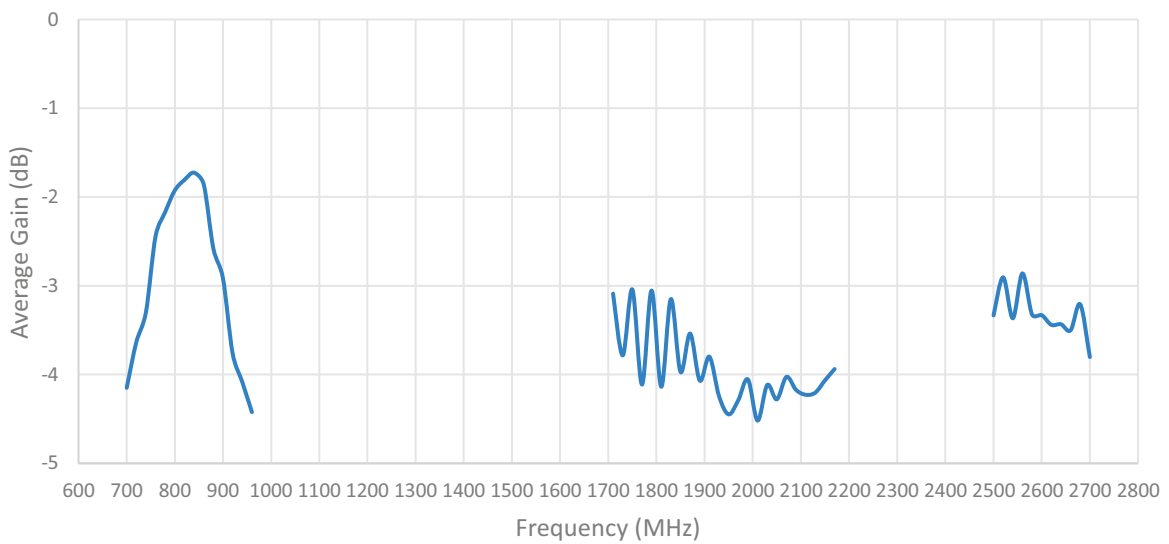
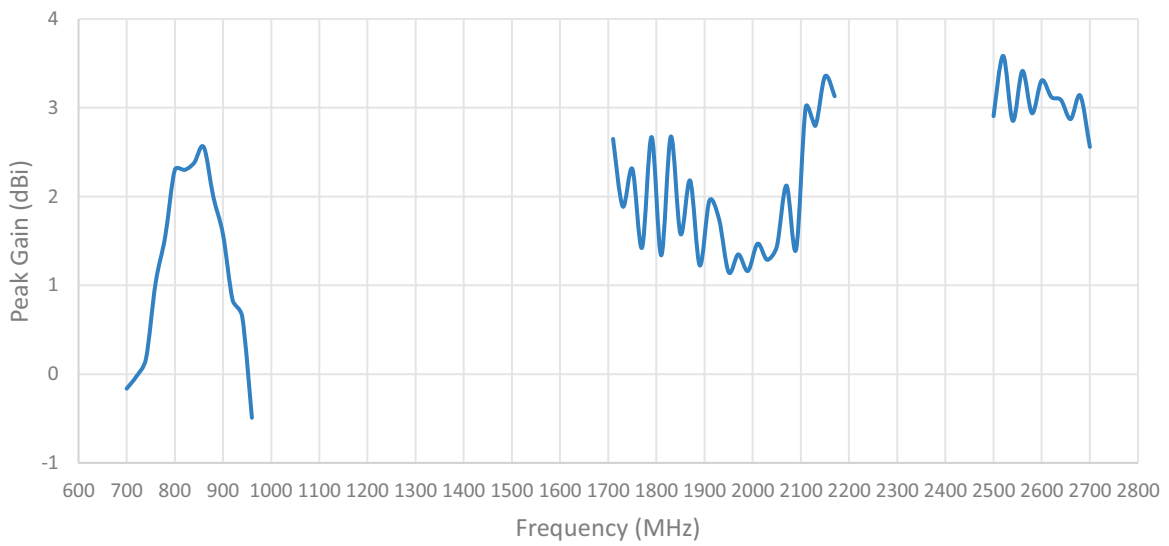
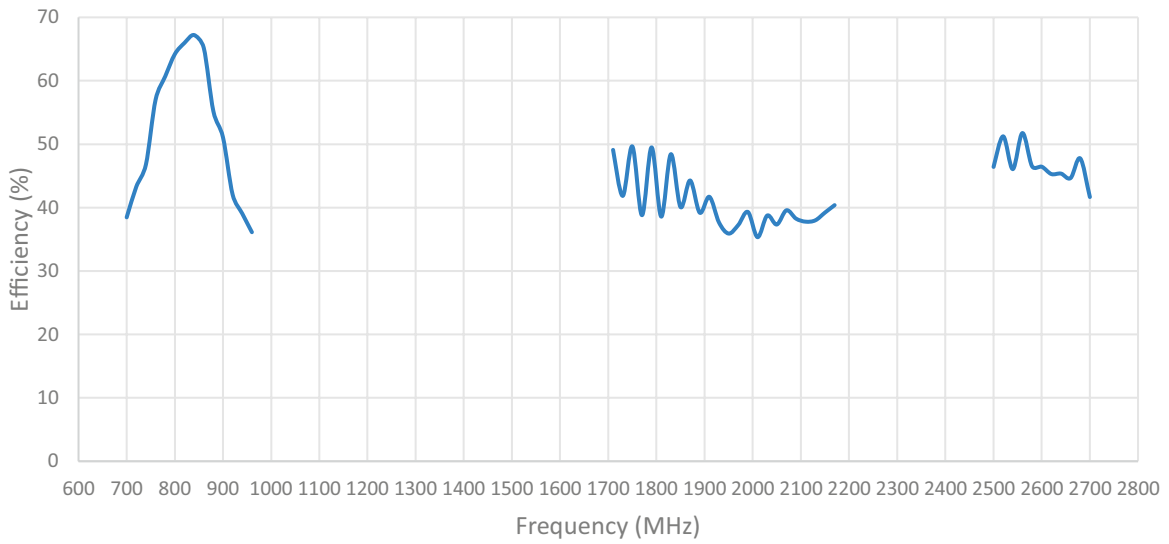
SERIES PART NUMBERS

Series Part Numbers	Cable Type	Cable Length	Connector Type
R2SF-DB-G4W-SSS	LMR-195, LMR-195, LMR-100	17 Feet/5.18 Meters	SMA Male, SMA Male, SMA Male
R2SF-DB-G4W-TTT	LMR-195, LMR-195, LMR-100	17 Feet/5.18 Meters	TNC Male, TNC Male, TNC Male

ANTENNA PARAMETERS

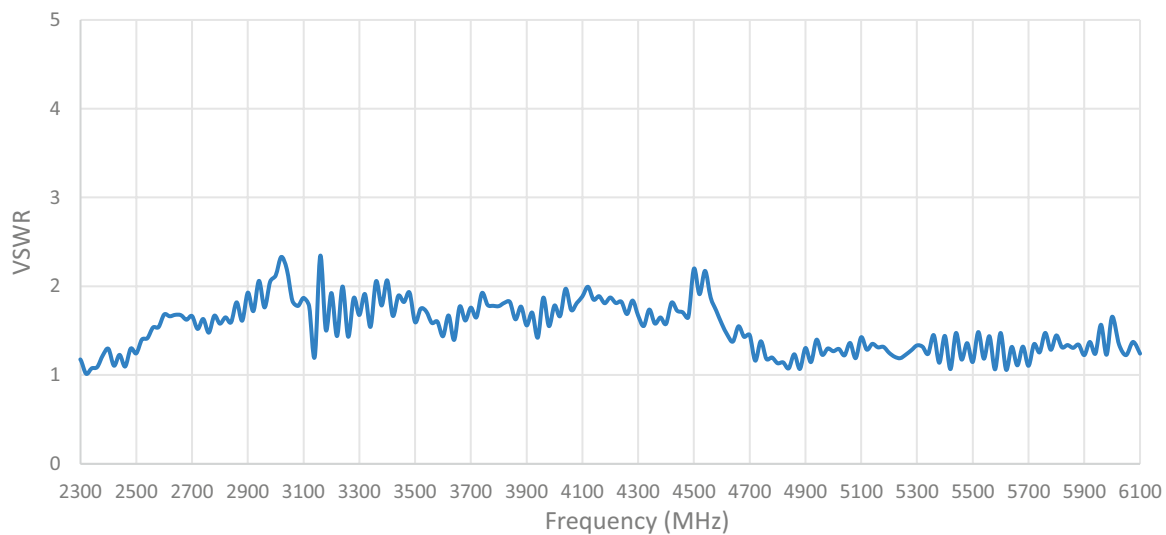
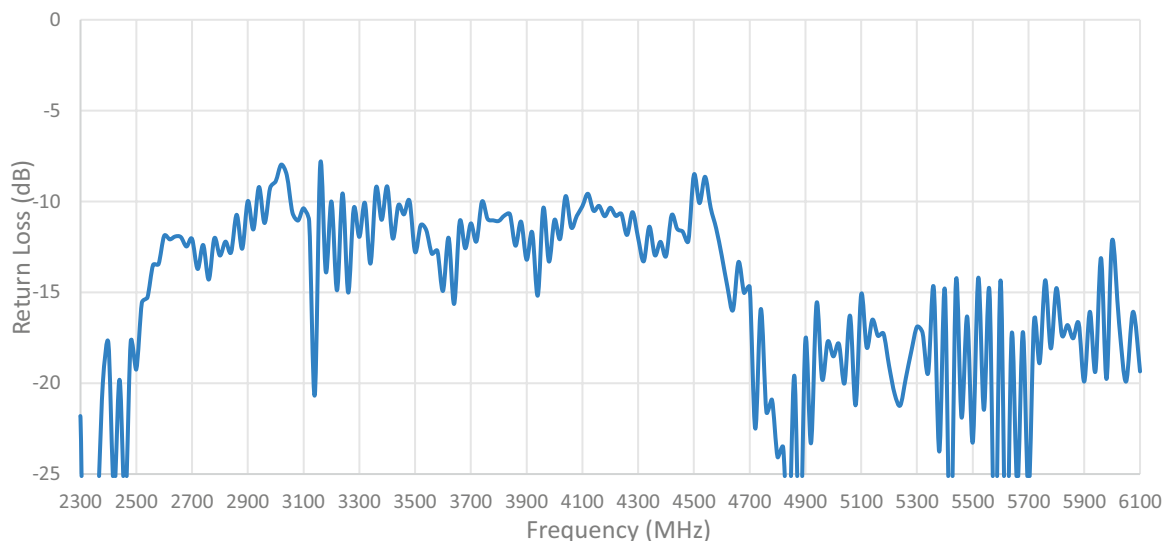
Cable:1 CELLULAR/LTE

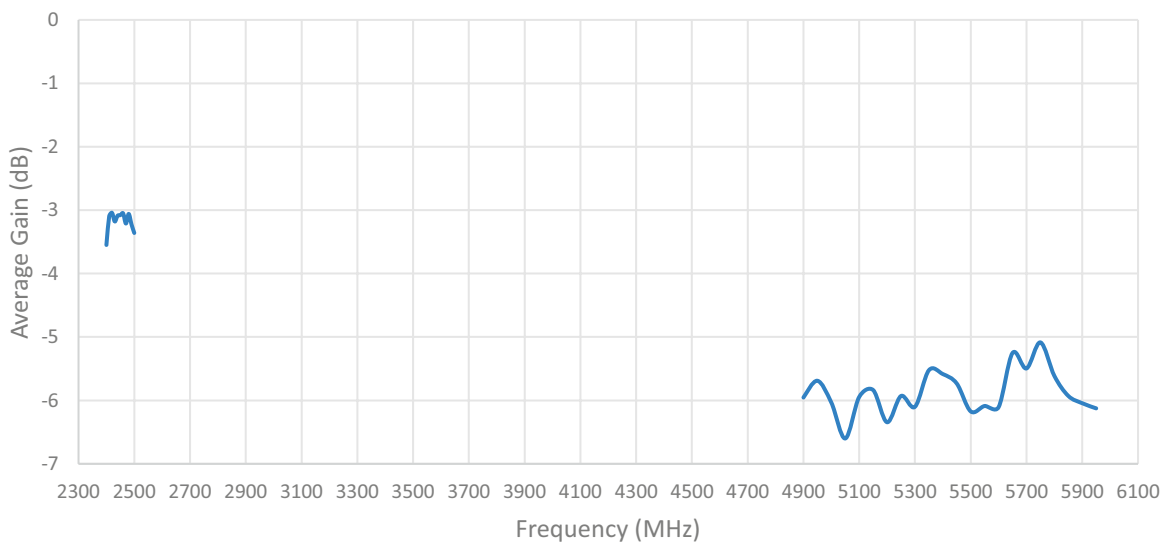
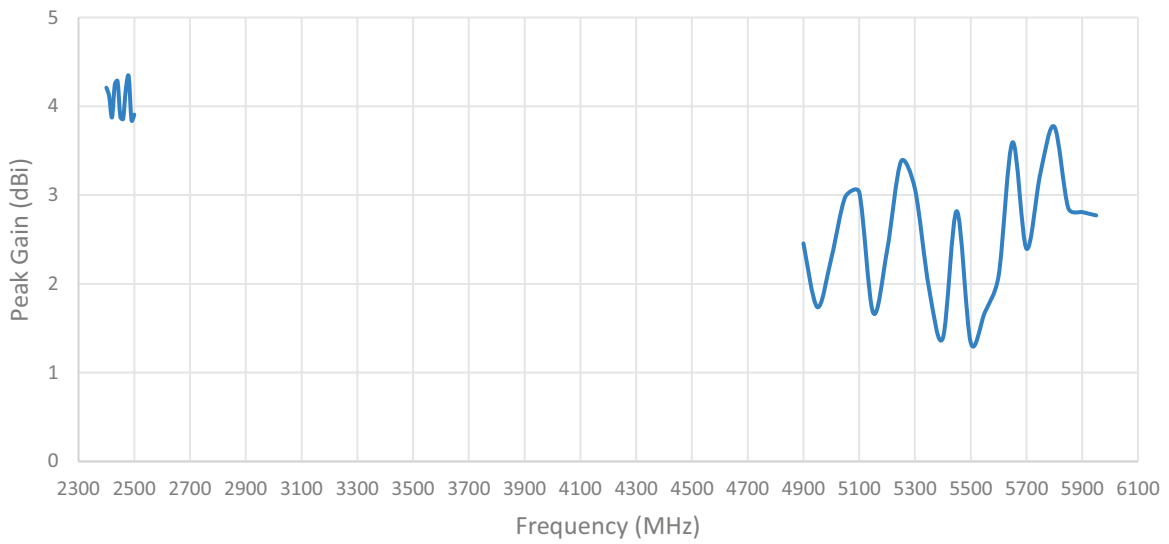
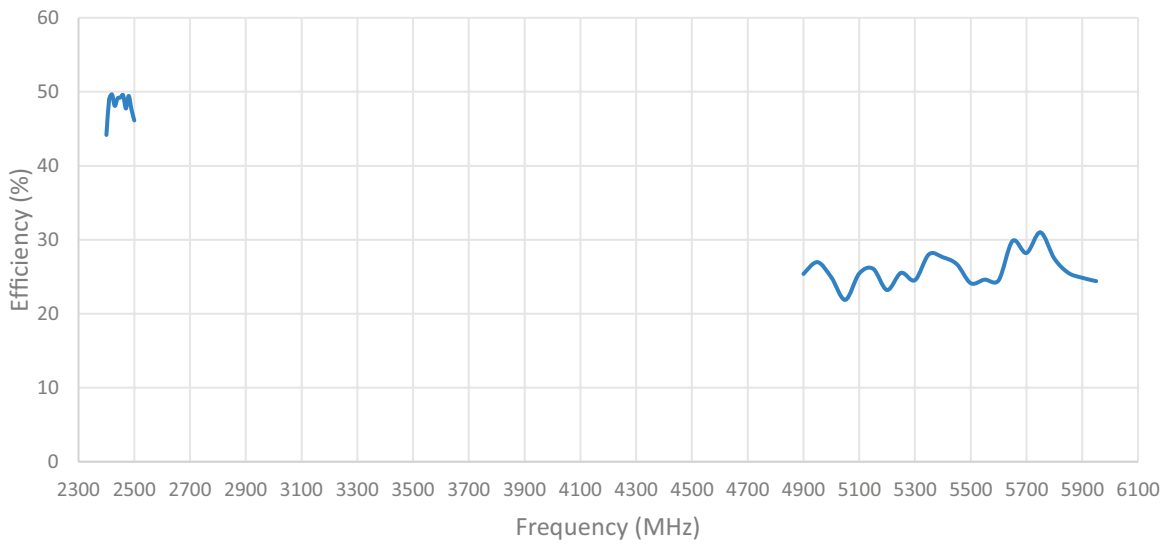




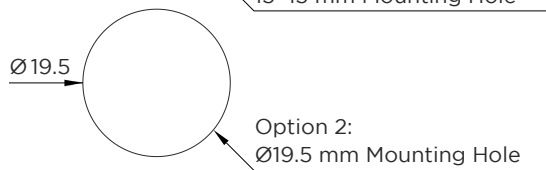
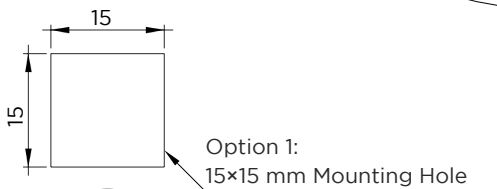
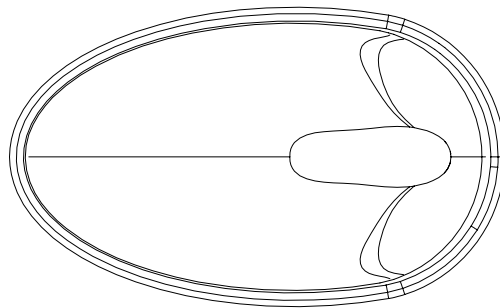
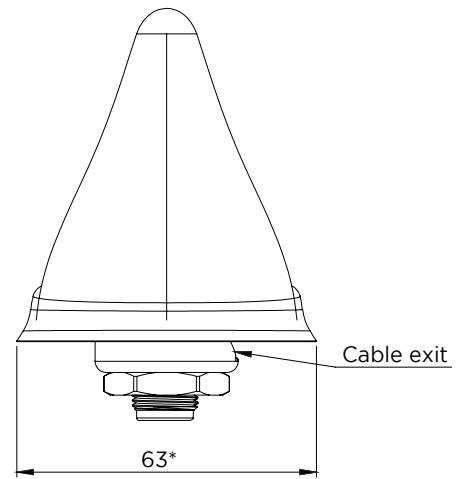
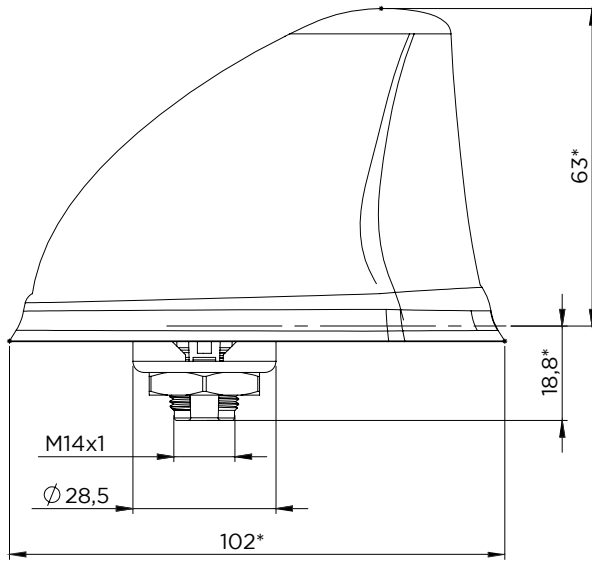
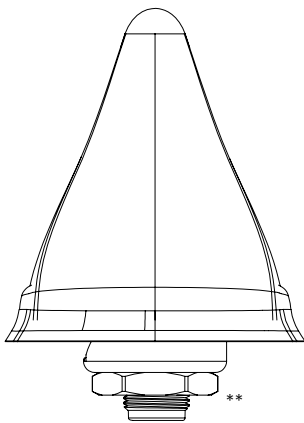
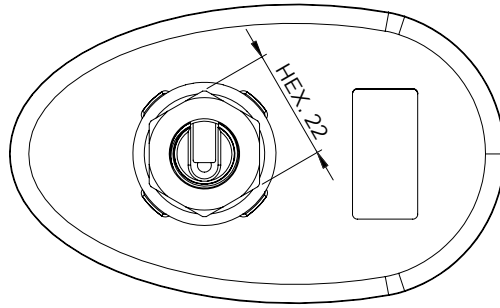
ANTENNA PARAMETERS

Cable 2: 2.4/5.0 GHz ISM





ANTENNA DRAWINGS



Note: Dimensions are in millimeters
 *Dimensions are after mounting
 **Max. Torque= 6 Nm

