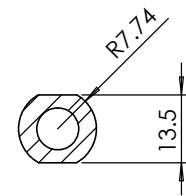
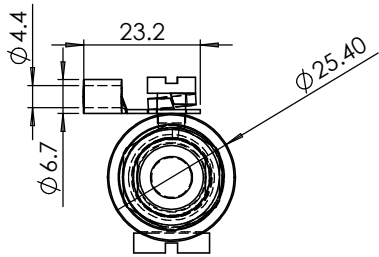
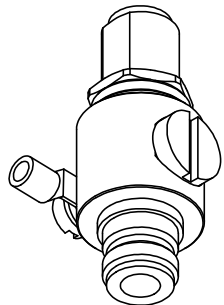
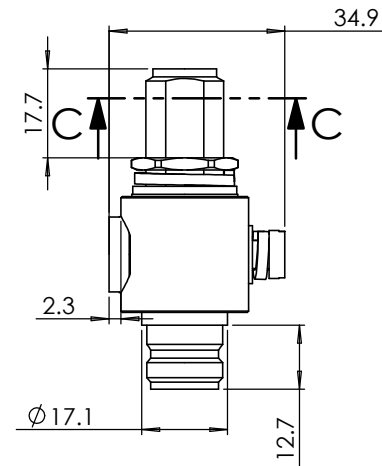
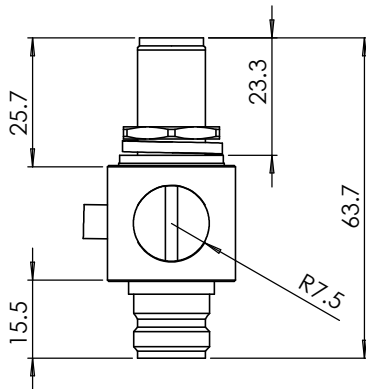


Part Number:	LABH2400NN
Electrical Specs	
Surge Technology	Gas Discharge Tube
Frequency	DC - 4 GHz
Max Power	25 Watts
Impedance	50 Ohm
Insertion Loss	< 0.2 dB
VSWR	< 1.2 :1
Max Current	10 Amps
Fail-Safe	Short-Circuit
Impulse Current	2.5 kA
Mechanical Specs.	
Connectors	N Female x 2
Mounting	Feed Through
Operating Temp.	-40 °C - +85 °C
IP Rating	IP65
RoHS	Yes
Housing Material	Brass/Surface Plating: CU ZN SN
Contact Material	Bronze/ Surface Plating AU -AG

REVISIONS				
ZONE	REV.	DESCRIPTION	DATE	APPROVED
All	1	Initial Creation from 3D	04APR20	A. Mascorro



SECTION C-C



MATERIAL: See Notes		THIRD ANGLE PROJECTION		 SCHAUMBURG, IL 60173 USA
FINISH: See Notes		 DO NOT SCALE DRAWING		
APPROVALS		DATE		TITLE: SURGE,NN,0-4000MHZ
DRAWN BY	A.Mascorro	04APR20		
ELEC. ENG.	A.Mascorro	04APR20		
MECH. ENG.				
MFG/OPS.				
INTERPRET DIMENSIONING AND TOLERANCING IN ACCORDANCE WITH ASME Y14.5M-2009 TOLERANCES UNLESS OTHERWISE SPECIFIED DIMENSIONS ARE IN MILLIMETERS				SIZE A3
ANGLE: ±30° 0 PLACE DECIMAL: ±0.5 1 PLACE DECIMAL: ±0.25 2 PLACE DECIMAL: ±0.13 SURFACE ROUGHNESS: 1.6/√				DWG. NO. LABH2400NN REV 1
SCALE: 1:1			PREVIOUS#	SHEET 1 OF 1

UNLESS OTHERWISE NOTED, THIS DOCUMENT CONTAINS LAIRD TECHNOLOGIES CONFIDENTIAL INFORMATION. REPRODUCTION, USE, DISCLOSURE OR TRANSMITTAL OF ALL OR ANY PART OF THIS DOCUMENT IS PROHIBITED EXCEPT TO THE EXTENT APPROVED IN WRITING BY AN AUTHORIZED REPRESENTATIVE OF LAIRD TECHNOLOGIES. LAIRD TECHNOLOGIES RESERVES ALL RIGHTS UNDER PATENTS, TRADEMARKS, COPYRIGHTS AND TRADE SECRETS. COPYRIGHT, LAIRD TECHNOLOGIES 2014. ALL RIGHTS RESERVED.