

ViaLiteHD® – Purple OEM Power Supply

PSU for C-Band Purple OEM

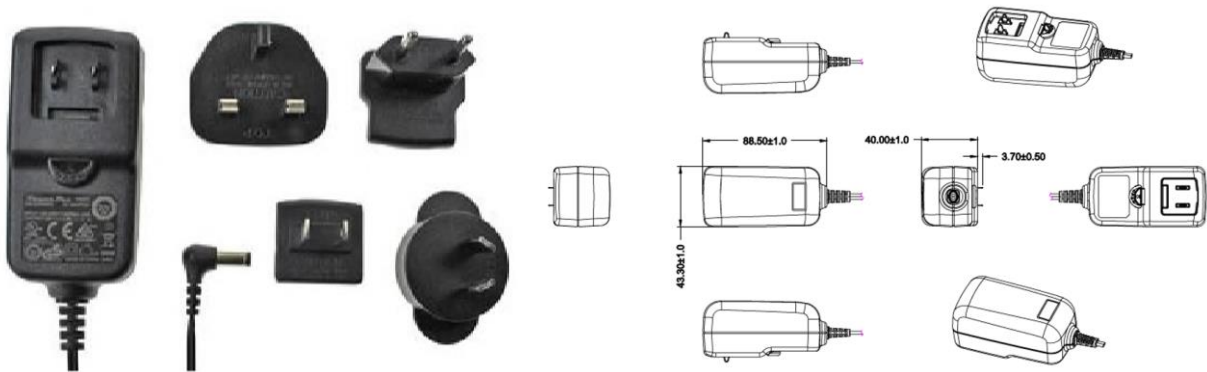
- Indoor use only
- Wall plug
- 12 VDC, 2A output
- Global mains power adaptor options
- 88 x 43 x 32 mm
- 90-264 VAC input



This 12 volt direct current (VDC), 2A power supply has a 90-264 volt alternating current (VAC) input and comes supplied complete with UK, European, USA and Australian pins as standard. It carries full international safety approvals making it suitable for worldwide use. Meeting latest level VI requirements and featuring high reliability with a M.T.B.F of 50 K hours at 25 °C, the units provide a single voltage regulated 12 VDC output up to 3A max and is fitted with a 2.1 x 5.5 x 12 mm right angle connector, with positive polarity on the centre pin.

	Purple OEM Power Supply (HPS-CP-W)
Input voltage range	90-264 VAC
Rated input voltage	100-240 VDC
Output voltage	12 VDC +/- 10%
Output power	24 W
Ripple	300 mV p-p
Efficiency	Level VI
Input connector	IEC-320 2Pin
Safety	CE, TUV, C-Tick, cUL
EMC standards	EN55022:2006+A1:2007 / EN6100-3-2/EN6100-3-3
MTBF	50 K Hours at 25 °C
Output cable	1.83 m Length
Output plug	2.1 mm x 5.5 mm x 12 mm +ve centre pin (for Purple OEM) PN: HPS-CS-W
Weight	115g typical
Operating temperature	0 °C to +40 °C
Operating humidity	10% to 90%
Storage temperature	-20 °C to 80 °C
PSU dimensions	88.5 x 43.7 x 40mm

Mechanical dimensions (mm)



Product configurator

