

6

5

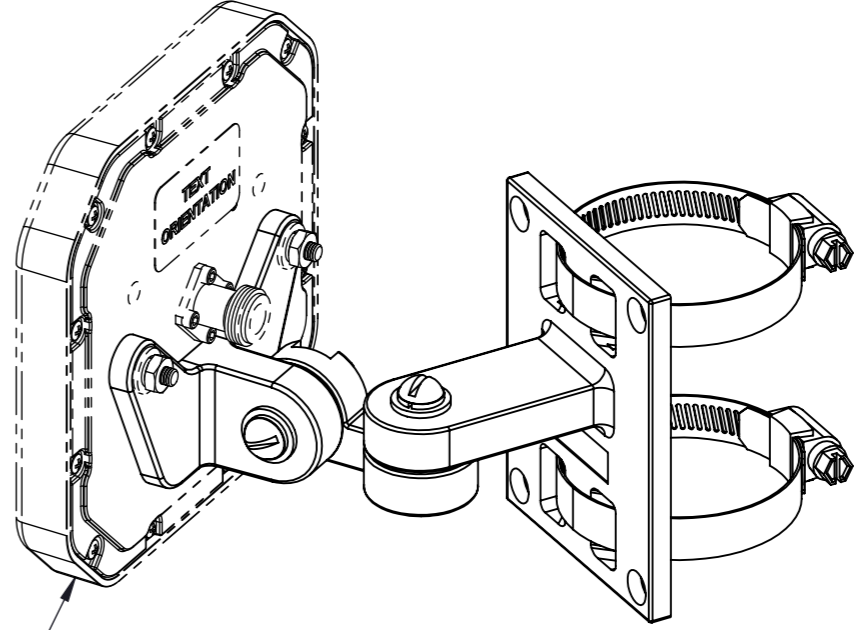
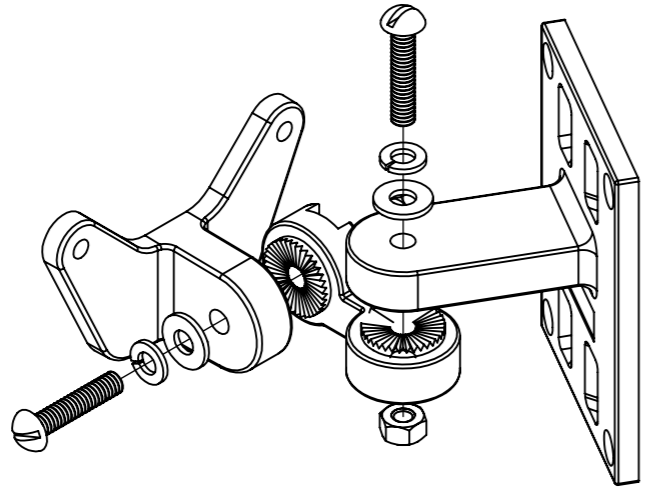
4

3

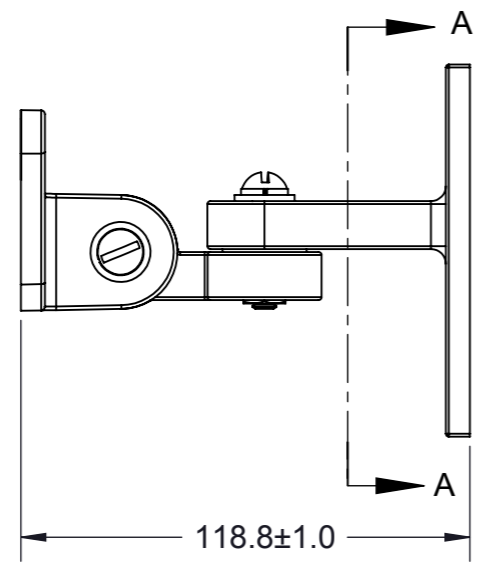
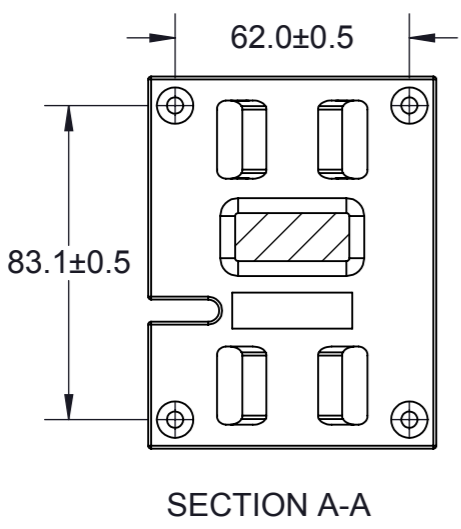
2

1

REVISIONS					
REV.	ECR#	ZONE	DESCRIPTION	CHANGED BY/DATE	APPROVED BY/DATE
AA			INITIAL RELEASE	S.J. 12/14/2009	12/14/2009



ANTENNA SHOWN FOR REFERENCE ONLY



Model Number	Color
ALLPMTE-001	Pewter (Black)
ALLPMTE-002	White

<b>MATERIAL:</b> N/A		THIRD ANGLE PROJECTION 
<b>FINISH:</b> N/A		
<b>APPROVALS</b>		DO NOT SCALE DRAWING  INTERPRET DIMENSIONING AND TOLERANCING IN ACCORDANCE WITH ASME Y14.5M-1994  TOLERANCES UNLESS OTHERWISE SPECIFIED DIMENSIONS ARE IN MILLIMETERS  ANGLE: 0 PLACE DECIMAL: ±30' 1 PLACE DECIMAL: ±0.5 2 PLACE DECIMAL: ±0.25 ±0.13 SURFACE ROUGHNESS 1.6/√
DRAWN BY	S. JOHNSON 12/14/09	
PROJ. ENG.	T. PETROPOULOS 12/15/09	
APPL. MECH.	R. CHICOINE 12/15/09	
MFG.	I. CHICKLIS 01/07/10	



MANCHESTER, NH 03103 USA

TITLE: <b>ALLPMTE MOUNTING &amp; OUTLINE</b>		
SIZE <b>A3</b>	DWG. NO. <b>ALLPMTEMO</b>	REV <b>AA</b>
SCALE: 1:2	PREVIOUS#	SHEET 1 OF 1

UNLESS OTHERWISE NOTED, THIS DOCUMENT CONTAINS LAIRD TECHNOLOGIES CONFIDENTIAL INFORMATION. REPRODUCTION, USE, DISCLOSURE OR TRANSMITTAL OF ALL OR ANY PART OF THIS DOCUMENT IS PROHIBITED EXCEPT TO THE EXTENT APPROVED IN WRITING BY AN AUTHORIZED REPRESENTATIVE OF LAIRD TECHNOLOGIES. LAIRD TECHNOLOGIES RESERVES ALL RIGHTS UNDER PATENTS, TRADEMARKS, COPYRIGHTS AND TRADE SECRETS. COPYRIGHT, LAIRD TECHNOLOGIES 2009. ALL RIGHTS RESERVED.

6

5

4

3

2

1