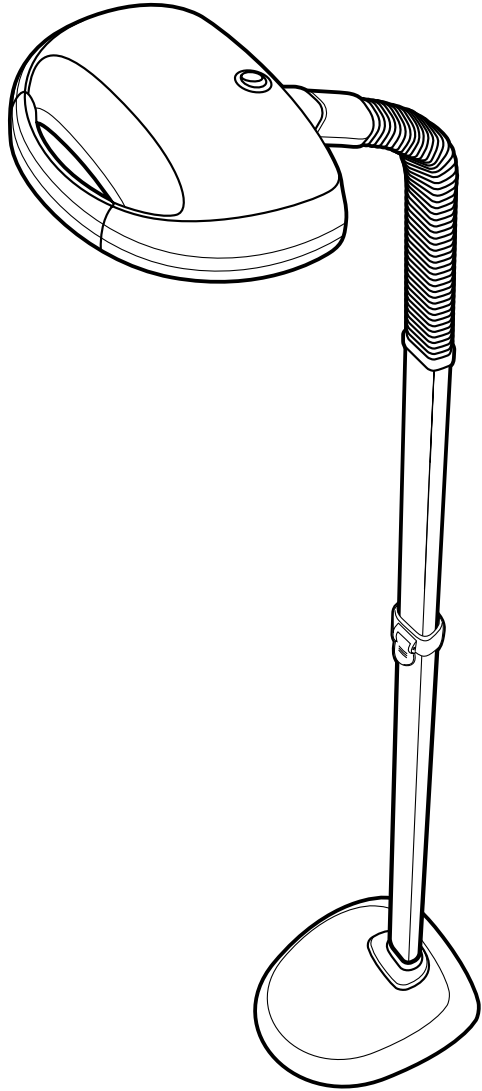


verilux[®]
The Healthy Lighting Company[®] Est. 1956



EasyFlex[®] | Deluxe

Natural Spectrum[®] Floor Lamp

Model: VF02



Dear Customer,

Thank you for purchasing the Verilux EasyFlex® Deluxe Natural Spectrum® Floor Lamp. You have received a quality product, backed by a one year limited warranty. As a Verilux customer, your satisfaction means everything to us. We look forward to serving you now and in the future.

Many other healthy lighting products are available through our catalog and online. Visit us on the web at www.verilux.com to request a free catalog and learn more about all our quality Verilux products, or call us toll-free at 1-800-454-4408.

Have a bright day!

A handwritten signature in black ink that reads "Nicholas Harmon". The signature is written in a cursive, flowing style.

Nicholas Harmon
President, Verilux, Inc.

READ ALL INSTRUCTIONS BEFORE USING

Important Safeguards

▲ DANGER:

- Do not operate this lamp near a water source to avoid electrocution.

▲ WARNING:

- Do NOT dismantle.
- Do not use with power supply voltage other than 120 VAC.
- Do not operate lamp in close proximity to flammable or combustible vapors, such as aerosol spray products, or where oxygen is being administered.
- Do not cut or shorten the power cord.
- The bulb in this product contains a trace amount of mercury, a chemical known to the state of California to cause birth defects or other reproductive harm. This substance may also cause injury if inhaled or ingested.

▲ CAUTION:

- For indoor use only.
- Always unplug lamp before performing bulb replacement or installation.
- This lamp is not for use with light dimmers, timers, motion detectors, voltage transformers or extension cords.
- This product may cause interference with radios, cordless telephones or devices that use a wireless remote control, such as televisions. If interference occurs, move the product away from the device, plug the product or device into a different outlet or move the lamp out of the line of sight of the remote control receiver.
- Unplug lamp during lightning storms or when unused for extended periods of time.
- Do not lift the lamp by the gooseneck. The lamp should be lifted by the shaft.
- Be very careful not to pinch any part of the cord between any metal pieces.
- Do not use solvents or cleaners containing abrasives, or ammonia based cleaners on this product.
- All moisture should be properly wiped away and dried prior to restoring power.
- Do NOT use lubricating agent in assembly; please see troubleshooting section if you are having difficulty assembling your lamp.
- Disconnect lamp before performing alignment activity.
- Dispose of bulbs per local regulations. For more information on clean-up and disposal, see www.lamprecycle.org.
- Care should be taken to prevent bulb breakage.

SAVE THESE INSTRUCTIONS

Mesures de sécurité importantes

▲ DANGER :

- N'utilisez pas cet appareil à proximité d'une arrivée d'eau pour éviter tout risque d'électrocution.

▲ AVERTISSEMENT :

- Avant de brancher la lampe, vérifier que la tension de la prise murale ne dépasse pas 120 volts.
- Ne PAS utiliser de produit lubrifiant lors de l'assemblage; voir la section de dépannage en cas de difficulté lors de l'assemblage de la lampe.
- Ne pas utiliser la lampe à l'extérieur ou dans des endroits humides, telle qu'une salle de bain. La lampe doit être uniquement utilisée à l'intérieur et dans un endroit sec.

▲ CAUTION :

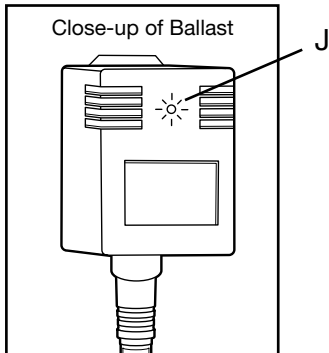
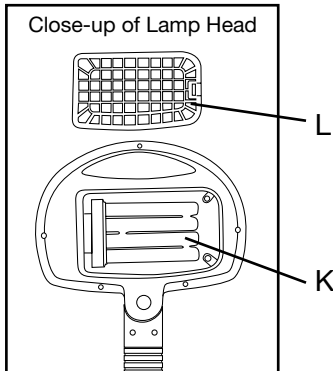
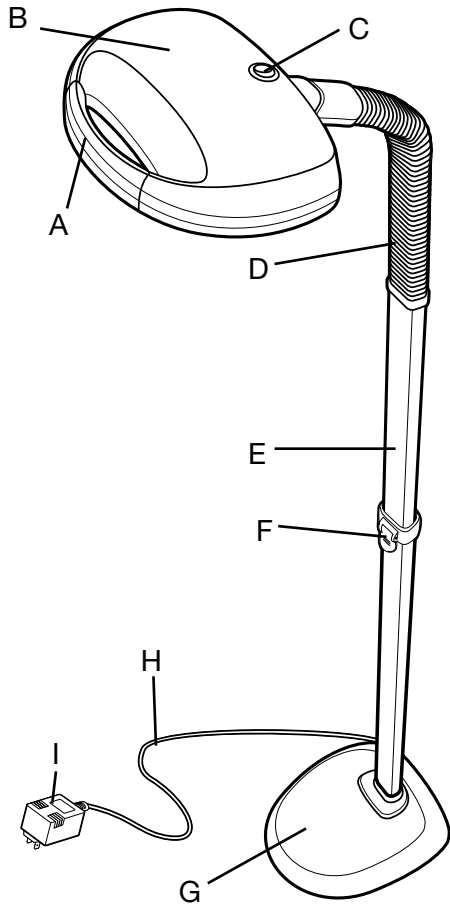
- Pour usage intérieur seulement.
- Ne pas utiliser avec des gradateurs de lumière, des minuteries, des détecteurs de mouvement ou des rallonges.
- Ce produit peut causer des interférences avec des radios, des téléphones sans fil ou des appareils utilisant une télécommande sans fil, telle qu'une télévision.
- Si des interférences se produisent, éloigner le produit de l'appareil, brancher le produit ou l'appareil dans une autre prise ou encore déplacer la lampe hors de la ligne de visée du détecteur de télécommande.
- Débrancher de la prise électrique lorsque le produit ne sert pas pendant de longues périodes ou lors d'orages électriques afin d'assurer la protection des pièces électroniques.
- Ce produit contient du mercure dans son ampoule. Suivre les règlements locaux pour la mise au rebut de l'ampoule.
- Ne pas soulever la lampe par son col-de-cygne. La lampe doit être soulevée par la tige.
- Prendre soin de ne pas pincer le cordon dans des pièces métalliques.
- Toujours débrancher la lampe avant de remplacer ou de poser l'ampoule.
- Ne pas utiliser de solvants ni de nettoyeurs contenant des abrasifs ou de l'ammoniaque.
- Toute humidité doit être essuyée et séchée avant de remettre la lampe sous tension.
- Débrancher la lampe avant d'effectuer son alignement.

CONSERVEZ CES INSTRUCTIONS

Getting Started

Main Parts & Controls

- A. Ergonomic Handle
- B. Lamp Head
- C. High/Off/Low Switch
- D. Gooseneck
- E. Shaft
- F. Ergonomic Height Adjustment Lever
- G. Lamp Base
- H. Power Cord
- I. Ballast
- J. LED Indicator
- K. Bulb
- L. Parabolic Light Diffuser



⚠ CAUTION:

DO NOT LIFT THE LAMP BY THE GOOSENECK. THE LAMP SHOULD BE LIFTED BY THE SHAFT.

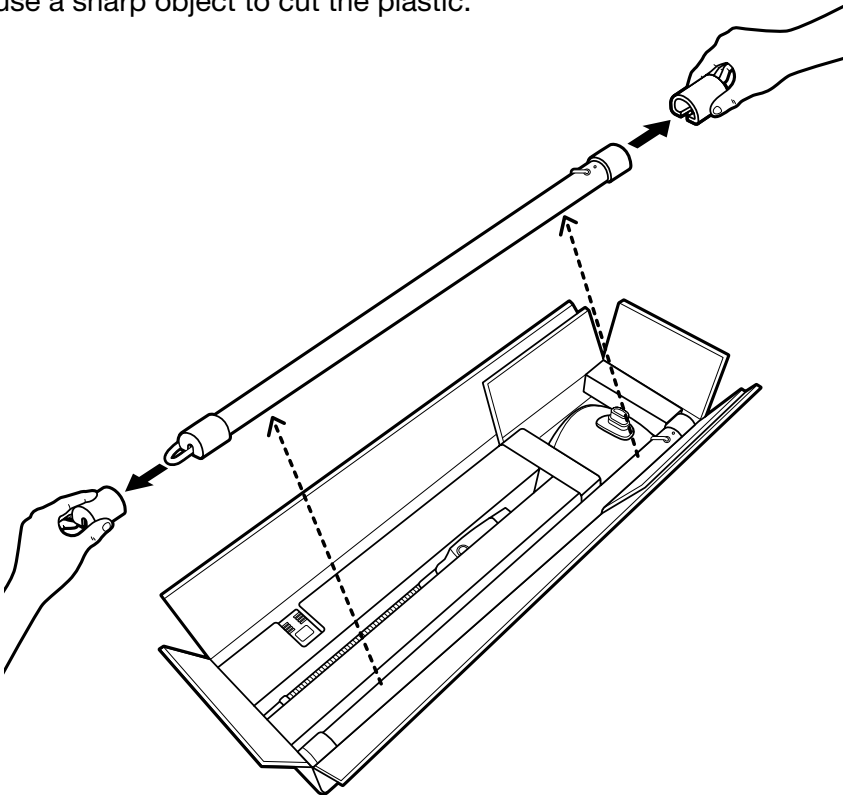
MISE EN GARDE :

NE PAS SOULEVER LA LAMPE PAR SON COL-DE-CYGNE. LA LAMPE DOIT ÊTRE SOULEVÉE PAR LA TIGE.

Getting Started — continued

Please Read Instructions Carefully Before Using the EasyFlex®.

1. Unpack lamp carefully, removing all packaging material, and confirm you have all parts shown in the diagram. For your convenience, the bulb has been inserted into the socket.
2. Remove all pieces from box. Locate the two screws and tightening tool in the plastic bag and set aside.
3. Detach the red plastic protective pieces and store them in the event you need to return the lamp.
4. The clear plastic sleeve on the shaft is specially designed to tear away easily. To avoid scratching the metal shaft, do not use a sharp object to cut the plastic.



IMPORTANT NOTE: Remove red plastic protective pieces prior to assembly.

Assembly Instructions

1. Set the lamp base on the floor and insert the lamp shaft over the base support unit until the screw holes line up as shown in Fig. 1. Insert the screw using the tightening tool and turn clockwise to tighten.

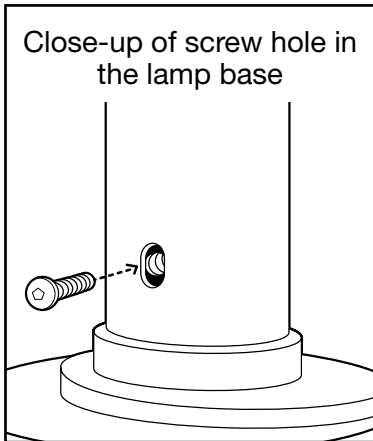
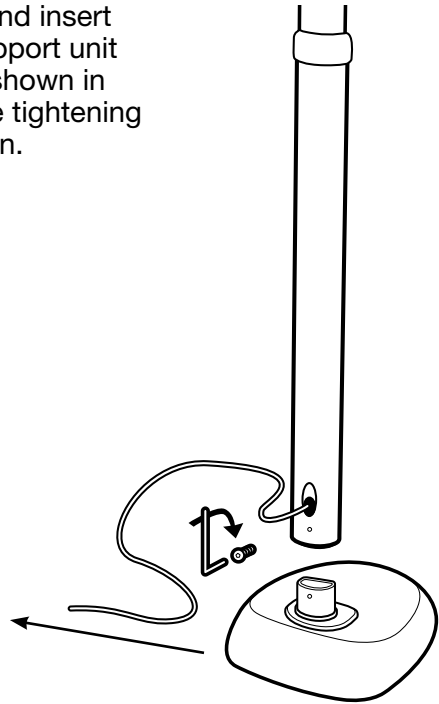


Fig. 1



2. Hold the upper shaft with one hand and release the ergonomic height adjustment lever by gently pulling it upward as shown in Fig. 2. Extend the upper shaft approximately 12". Lock the adjustment lever by gently pushing it downward. Once assembly instructions are complete, raise or lower the upper shaft to the desired height by releasing and locking the height adjustment lever.

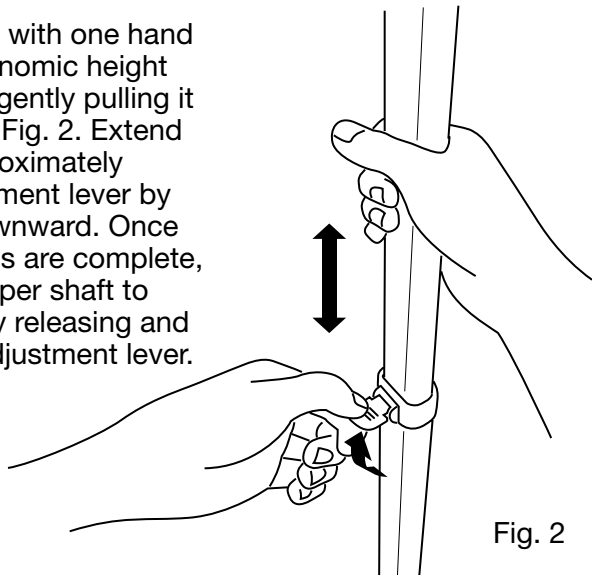


Fig. 2

Assembly Instructions — continued

3. Attach the lamp head gooseneck to the shaft until the screw holes line up as shown in Fig. 3. Use care when tucking the wire into the shaft. Form a loop with any excess wire prior to tucking it. Insert the screw using the tightening tool and turn clockwise to tighten.

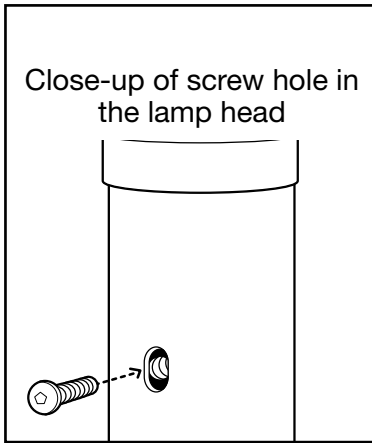
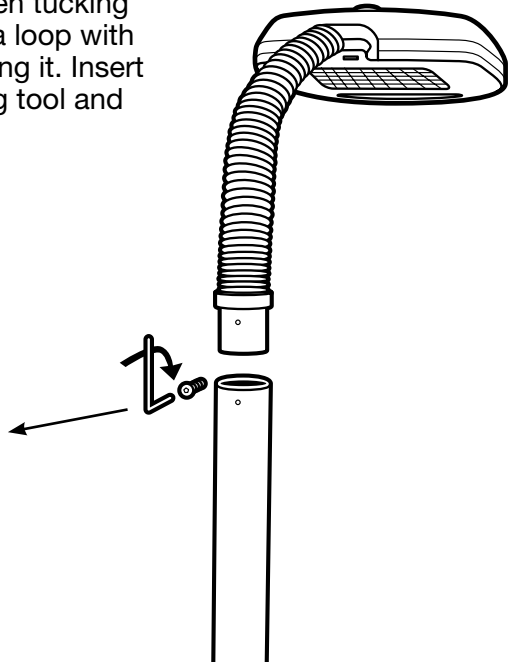


Fig. 3



4. Remove the light diffuser from the protective plastic bag. Insert the plastic pegs at the bottom of the light diffuser into the openings near the bulb socket. Snap the tab into place as shown in Fig. 4.

Note: Be sure all styrofoam packing is removed from the bulb area prior to installing the light diffuser.

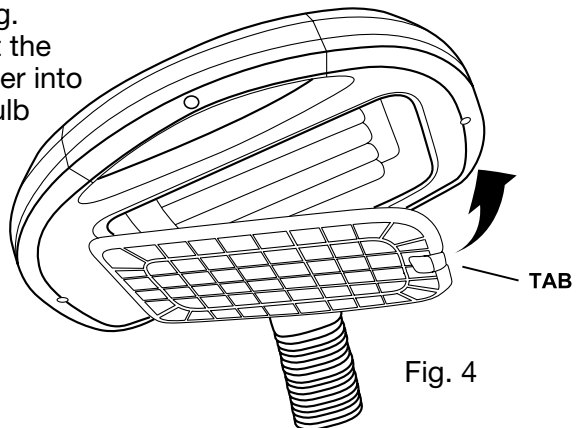


Fig. 4

Assembly Instructions — continued

5. Attach the ballast to the power cord. Use care to align the 4-pin plug properly. **DO NOT FORCE.** The power cord is designed to connect only one way (Fig. 5).

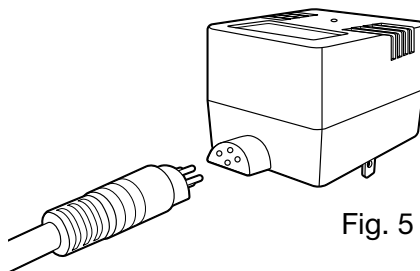


Fig. 5

6. Plug the ballast into a standard 120V 50/60Hz outlet and turn the lamp on. The green LED indicator (J) on center of the ballast will illuminate (Fig. 6). If not, please refer to the troubleshooting section of this manual (see page 11).

Note: Green LED indicator will not illuminate if lamp is turned off or bulb is removed.

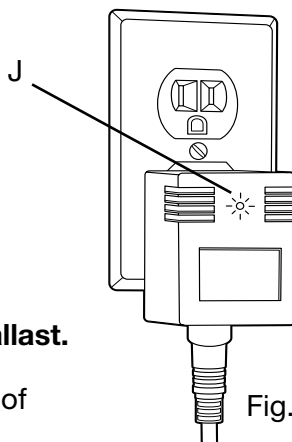


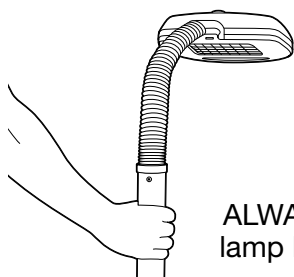
Fig. 6

Do not block vents on the ballast.

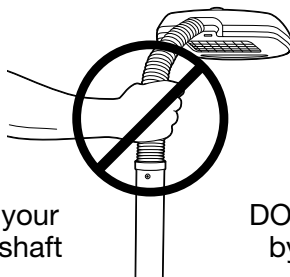
Vents are necessary for proper function of the ballast; blocking them may cause overheating of the ballast and increase the risk of fire.

AVERTISSEMENT : Ne pas bloquer les ouvertures sur le ballast. Vents sont nécessaires pour le bon fonctionnement du ballast, le blocage entre eux peuvent provoquer une surchauffe du ballast et d'accroître le risque d'incendie.

ATTENTION!



ALWAYS lift your lamp by the shaft



DO NOT lift the lamp by the gooseneck

Bulb Replacement

Removal

1. Unplug the lamp from the power source.
2. To access the bulb, remove light diffuser by depressing the tab and lifting it out (Fig. 7).
3. Firmly hold the bulb base (B) and pull bulb (C) from the socket (A) in an outward motion (Fig. 8).

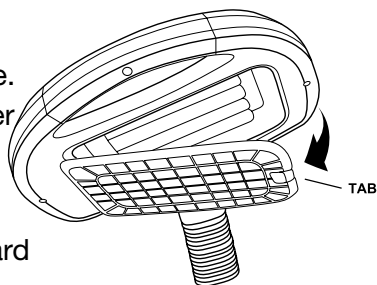


Fig. 7

Installation

1. Unplug the lamp from the power source.
2. Firmly hold the base (B) and push bulb (C) into the socket (A).
3. Be sure the bulb is firmly seated in the socket (Fig. 9) and snapped into the metal bulb clip (D).
4. Replace the light diffuser.

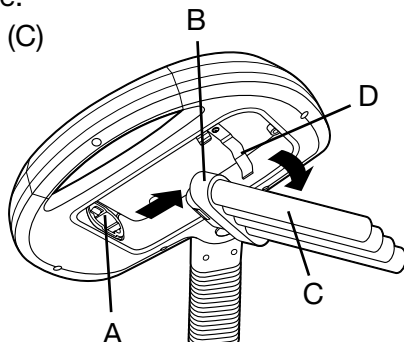


Fig. 8

Attention: Do not grip the bulb by the glass tubes. Only touch the base when removing or inserting the bulb.

Correctly Seated Bulb

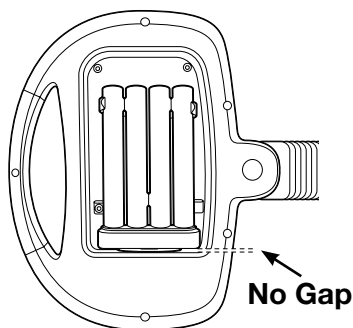
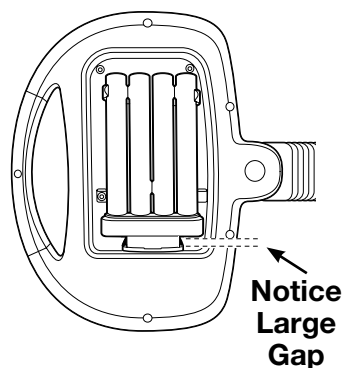


Fig. 9

Incorrectly Seated Bulb



Troubleshooting

Before requesting service on your Verilux® lamp, please read the following:

- Make sure all power connectors, cords and plugs are inserted fully and securely.
- Be sure the bulb is securely seated into the socket (see page 9).
- Make sure there is power to the wall outlet or try another outlet.
- **⚠ CAUTION:** DISCONNECT LAMP BEFORE PERFORMING ALIGNMENT ACTIVITY. **MISE EN GARDE :** DÉBRANCHER LA LAMPE AVANT D’EFFECTUER SON ALIGNEMENT. Correct alignment with screw holes can be accomplished by following these steps:
 1. Always start with the base and work your way up the shaft and attach the head last.
 2. Place your foot on the base of the lamp on the floor.
 3. While holding the shaft with your hand, gently rock the unit back and forth.
 4. Shaft should ease into socket and screw holes will align.

Troubleshooting – continued

PROBLEM	CHECK	SOLUTION
Light Won't Come On	Has the plug come loose?	Insert plug securely into wall outlet.
	Is the bulb old?	Check bulb for blackening/darkening at bottom of spiral where it joins the base (an indicator of bulb life) and replace bulb.
	Is the bulb connected securely into socket?	Be sure the bulb is securely seated into socket, repeat the bulb installation process.
Blackening/Darkening at Ends of Bulb	Is the bulb new?	Sometimes when a new bulb is turned on for the first time the tube will darken, but this will fade after a few minutes.
	Is the bulb old?	With older bulbs, darkening of the tube indicates end of bulb life (this doesn't affect operation except to reduce the amount of light available since the phosphor in that area has become inactive). Bulb replacement is recommended.
Light Flickers	Has the plug come loose?	Insert plug securely into wall outlet.
	Is the bulb connected securely to the socket?	Be sure the bulb is securely seated into the socket, repeat the bulb installation process. ⚠CAUTION: ALWAYS UNPLUG LAMP BEFORE PERFORMING BULB REPLACEMENT OR INSTALLATION.
	Is the lamp connected to a dimmer switch?	Connect lamp plug only to wall outlet without dimmer switch.

⚠WARNING: *Do not block vents on ballast. Vents are necessary for proper function of the ballast; blocking them may cause overheating of the ballast and increase risk of fire.*

AVERTISSEMENT : *Ne pas bloquer les ouvertures sur le ballast. Vents sont nécessaires pour le bon fonctionnement du ballast, le blocage entre eux peuvent provoquer une surchauffe du ballast et d'accroître le risque d'incendie.*

Care & Cleaning

Your lamp is made from high quality materials that will last for many years with minimum care. You may want to periodically clean the lamp, using a mild non-abrasive cleaner and soft cloth. When cleaning, make sure you have turned off and unplugged the unit, and allowed sufficient time for the unit to cool. All liquid should be properly wiped away and dried prior to restoring power.

▲ CAUTION: DO NOT USE SOLVENTS OR CLEANERS CONTAINING ABRASIVES, OR AMMONIA BASED CLEANERS.

MISE EN GARDE : NE PAS UTILISER DE SOLVANTS NI DE NETTOYANTS CONTENANT DES ABRASIFS OU DE L'AMMONIAQUE.

▲ CAUTION: All moisture should be properly wiped away and dried prior to restoring power.

AVERTISSEMENT : Toute humidité doit être essuyée et séchée avant de remettre la lampe sous tension.

One Year Limited Warranty

ATTENTION! ONCE OPENED, PLEASE **DO NOT** RETURN THIS PRODUCT TO THE STORE WHERE IT WAS PURCHASED FOR REPAIR OR REPLACEMENT!

Many questions may be answered by visiting www.verilux.com, or you may call our Customer Service Department at 800-786-6850 during normal business hours.

This limited warranty is provided by: Verilux, Inc., 340 Mad River Park, Waitsfield, VT 05673

Verilux warrants this product to be free from defects in material and workmanship for a period of one year from the date of the original retail purchase from Verilux or an authorized Verilux distributor. **Proof of purchase is required for all warranty claims.** During the limited warranty period, Verilux, Inc. will, at its option, repair or replace defective parts of this product, at no charge to the customer, subject to the following limitations: This limited warranty does not include any postage, freight, handling, insurance or delivery fees. This warranty does not cover damage, defect or failure caused by or resulting from accident, external destruction, alteration, modification, abuse, misuse or misapplication of this product.

This warranty does not cover damage to the product resulting from return shipping or handling. The use of shipping insurance is recommended to help protect your product.

Return Authorization is required for all returns. To obtain a Return Authorization, please contact the Verilux Customer Service Department at 800-786-6850.

If, during the first year of ownership, this product fails to operate properly, it should be returned as specified at www.verilux.com/warrantyreplacement or as instructed by a Verilux customer service representative at 800-786-6850.

Note: *Verilux recommends using a quality surge suppressor on all electronics equipment. Voltage variations and spikes can damage electronic components in any system. A quality suppressor can eliminate the vast majority of failures attributed to surges and may be purchased at electronics stores.*

Due to ongoing improvements, actual product may have slight variations from the product described in this manual.

Please visit our website at www.verilux.com or call our Customer Service Department at

1-800-786-6850

Representatives are available Monday – Friday, 9am – 5pm EST

verilux®

340 Mad River Park, Waitsfield, VT 05673

