

UPHORIA™ 2 LED PAR

LED PAR20, PAR30, PAR30LN & PAR38

Ushio America's Uphoria™ 2 LED PAR lamps combine the classic styling of traditional PAR lamps with the advanced technology of LEDs and custom designed optics. This provides a light-weight, energy saving, dimmable LED lamp with the form, fit and function of a traditional halogen PAR lamp.

These dimmable wet-location rated LED PAR lamps are designed to replicate the shape and light output of halogen PAR lamps, but offer serious energy-saving benefits. These PAR lamps utilize tightly-binned, high color rendering LEDs and an advanced optical design with multi-faceted reflectors for superior beam control and reduced glare.

Uphoria 2 LED PAR lamps also have a special thermal design that allows air to flow around the inside and outside of lamp and over the heat sink to maintain proper thermal management of the LEDs. This maintains a quality light output while ensuring long life. This unique air flow design cools the lamp without the use of unappealing heat sink fins or expensive and energy consuming internal fans.

Ushio America is proud to stand behind these LED lamps with a 5-year warranty. All Uphoria 2 LED PAR lamps operate on 120V with Warm White (2700K and 3000K) color temperatures and a very high color rendering (90+). They are available in Narrow Flood and Flood beam angles in PAR30 (SN & LN) and PAR38 lamp types.



FEATURES & BENEFITS:

- Energy Saving
- Dimmable
- Direct Replacement for Halogen PAR Lamps
- Very High Color Rendering (90+ CRI)
- Unique Optical Design for Improved Beam Photometry
- Special Air Cooling Design for Premium Thermal Management without Fins or Fans
- Wet Location Rated
- Long Life: 40,000 Hours Average Life
- Application Friendly: UV Free & IR Free
- Environmentally Friendly: Mercury Free, Lead Free & RoHS Compliant
- 5-Year Warranty

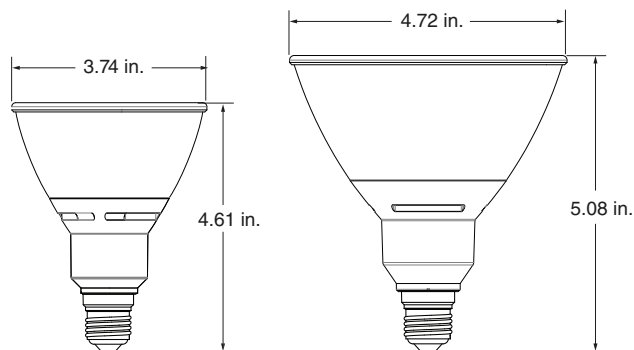
Qualifications:



APPLICATIONS:

- Recessed Lighting
- Track Lighting
- Display Lighting
- Accent Lighting
- Art Gallery & Museum Lighting
- Office Lighting
- Hospitality Lighting

UPHORIA™ 2 LED PAR



**E26 Base
PAR30LN**

**E26 Base
PAR38**

Case Quantity: 6

Watts (W)	Ordering Code	Lamp Description	Bulb Type	Volts (V)	Color Temp (K)	Beam Angle	Lumens* (lm)	Max CP* (cd)	CRI	Avg** (h)
10	1003960	LED PAR30LN, NFL25, WW27	PAR30LN	120	2700	25°	750	2910	90+	40,000
10	1003963	LED PAR30LN, FL40, WW30	PAR30LN	120	3000	40°	800	1315	90+	40,000
15	1003968	LED PAR38, NFL25, WW27	PAR38	120	2700	25°	950	4241	90+	40,000
15	1003970	LED PAR38, NFL25, WW30	PAR38	120	3000	25°	1000	4241	90+	40,000

* Photometric data is based on LM-79 tests.

** Average life based on 70% lumen maintenance. LM-80 data available.

Electrical Specifications:

Driver: High Efficiency

Power Factor: > 0.70

Dimming: See www.ushio.com for dimmer compatibility options.

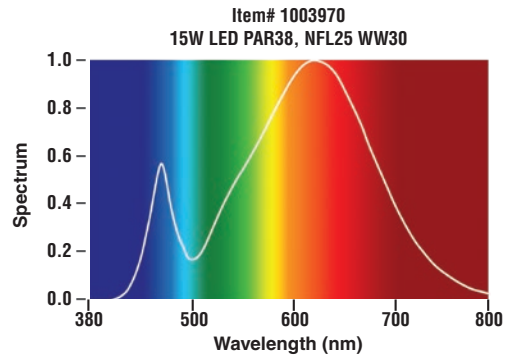
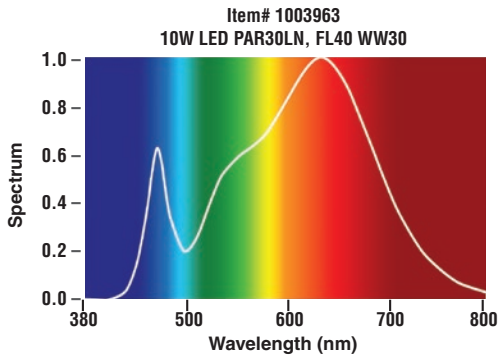
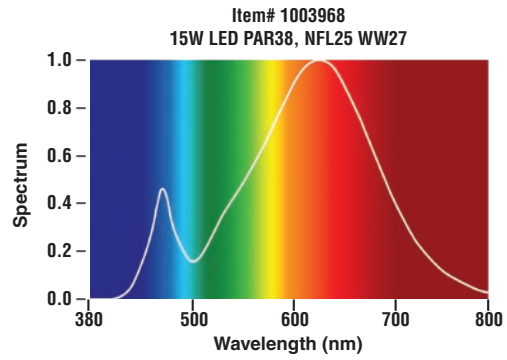
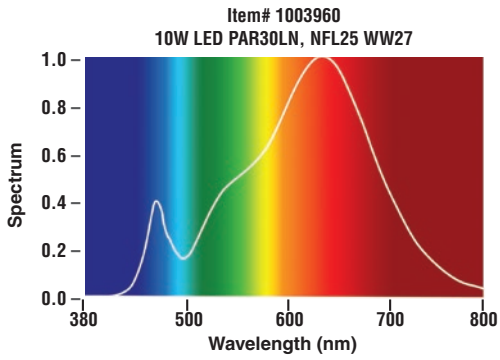
CAUTION:

The lamp may not be compatible with all dimmers. Check www.ushio.com to find up to date dimmer compatibility options. Use only 120V 60Hz circuits. Do not open. No user serviceable parts inside. Use is not recommended where exposed to weather, outdoor usage requires an enclosed fixture. The device is not intended for use with emergency exit fixtures, emergency exit lights, photo controls, or electric timers. Fully enclosed or recessed fixtures must contain proper ventilation. Reliable Operating temperature is -4°F to 113°F. This device complies with Part 15 of the FCC Rules. Operation is subject to the following two conditions: (1) this device may not cause harmful interference, and (2) this device must accept any interference received, including interference that may cause undesired operation.

Photometrics

Item# 1003960			Item# 1003963			Item# 1003968			Item# 1003970		
θ (ft)	H(ft)	E(fc)	θ (ft)	H(ft)	E(fc)	θ (ft)	H(ft)	E(fc)	θ (ft)	H(ft)	E(fc)
1.4	3.3	331.20	2.2	3.3	145.30	1.3	3.3	427.60	1.4	3.3	420.30
2.8	6.6	82.79	4.4	6.6	36.33	2.7	6.6	106.90	2.7	6.6	105.10
4.3	9.8	36.80	6.6	9.8	16.15	4.0	9.8	47.51	4.1	9.8	46.71
5.7	13.1	20.70	8.8	13.1	9.08	5.3	13.1	26.73	5.5	13.1	26.27
7.1	16.4	13.25	11.0	16.4	5.81	6.7	16.4	17.10	6.9	16.4	16.81
25°		10W	40°		10W	25°		15W	25°		15W
10W LED PAR30LN, NFL25 WW27			10W LED PAR30LN, FL40 WW30			15W LED PAR38, NFL25 WW27			15W LED PAR38, NFL25 WW30		

Spectral Distribution Charts 2700K



Lighting Facts

Item# 1003960
10W LED PAR30LN, NFL25, WW27

Lighting Facts/ Faits d'éclairage	
Per Bulb/Par l'ampoule	
Brightness/Luminosité	750 lumens
Estimated Yearly Energy Cost/ Coût énergétique annual estimé	\$1.20
Based on 3 hrs/day, 11¢/kWh. Cost depends on rates and use. /Basé sur 3 heures/jour, 11¢/kWh. Les coûts dépendent du tarif et de la fréquence d'utilisation.	
Life/Vie	36 years/ans
Based on 3 hrs/day. /Basé sur 3 heures/jour.	
Light Appearance/Apparence de l'éclairage	
Warm/Chaud	Cool/Froid
2700K	
Energy Used/Énergie utilisée	10 watts

Item# 1003968
15W LED PAR38, NFL25, WW27

Lighting Facts/ Faits d'éclairage	
Per Bulb/Par l'ampoule	
Brightness/Luminosité	960 lumens
Estimated Yearly Energy Cost/ Coût énergétique annual estimé	\$1.81
Based on 3 hrs/day, 11¢/kWh. Cost depends on rates and use. /Basé sur 3 heures/jour, 11¢/kWh. Les coûts dépendent du tarif et de la fréquence d'utilisation.	
Life/Vie	36 years/ans
Based on 3 hrs/day. /Basé sur 3 heures/jour.	
Light Appearance/Apparence de l'éclairage	
Warm/Chaud	Cool/Froid
2700K	
Energy Used/Énergie utilisée	15 watts

Item# 1003963
10W LED PAR30LN, FL40, WW30

Lighting Facts/ Faits d'éclairage	
Per Bulb/Par l'ampoule	
Brightness/Luminosité	800 lumens
Estimated Yearly Energy Cost/ Coût énergétique annual estimé	\$1.20
Based on 3 hrs/day, 11¢/kWh. Cost depends on rates and use. /Basé sur 3 heures/jour, 11¢/kWh. Les coûts dépendent du tarif et de la fréquence d'utilisation.	
Life/Vie	36 years/ans
Based on 3 hrs/day. /Basé sur 3 heures/jour.	
Light Appearance/Apparence de l'éclairage	
Warm/Chaud	Cool/Froid
3000K	
Energy Used/Énergie utilisée	10 watts

Item# 1003970
15W LED PAR38, NFL25, WW30

Lighting Facts/ Faits d'éclairage	
Per Bulb/Par l'ampoule	
Brightness/Luminosité	1000 lumens
Estimated Yearly Energy Cost/ Coût énergétique annual estimé	\$1.81
Based on 3 hrs/day, 11¢/kWh. Cost depends on rates and use. /Basé sur 3 heures/jour, 11¢/kWh. Les coûts dépendent du tarif et de la fréquence d'utilisation.	
Life/Vie	36 years/ans
Based on 3 hrs/day. /Basé sur 3 heures/jour.	
Light Appearance/Apparence de l'éclairage	
Warm/Chaud	Cool/Froid
3000K	
Energy Used/Énergie utilisée	15 watts