

# MSD Platinum (Touring/ Stage)



## MSD Platinum 20 R

The MSD Platinum lamps open up new levels of creative freedom in entertainment lighting, with powerful, compact and brilliantly intense light. Their compact, lightweight design provides the freedom to create smaller, lighter luminaires – for use at any location on stage. And their short arc, high color temperature and innovative reflector produce a sparkling, high beam intensity for outstanding color reproduction. They also offer long and reliable lifetime, high efficacy and fast replacement times. It all adds up to an intensely exciting creative experience.

## Product data

### • General Characteristics

System Description	Reflector E21.9 TCM
Cap-Base	-
Cap-Base Information	-
Operating Position	any
Main Application	Stage/Touring
Life to 50% failures EM	1500 hr

### • Light Technical Characteristics

Color Code	2
Color Temperature	8000 K
Chromaticity Coordinate X	296 -
Chromaticity Coordinate Y	298 -
Luminous Flux Lamp EM	16900 Lm
Luminous Efficacy Lamp EM	46 Lm/W

### • Electrical Characteristics

Lamp Wattage	470 W
Lamp Wattage Technical	370.0 W
Dimmable	Yes

### • Luminaire Design Requirements

Pinch Temperature	350 (max) C
Bulb Temperature	900 (max) C

### • Product Dimensions

Overall Length C	72 (max) mm
Diameter D	58.5 (max) mm
Arc Length O	1.2 mm

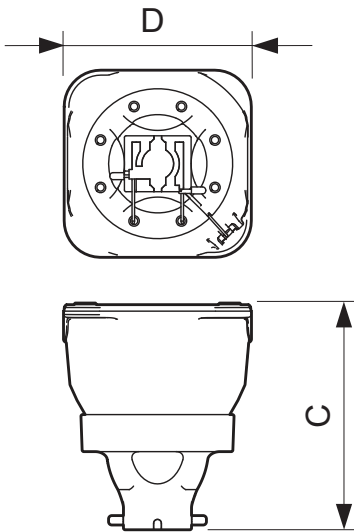
### • Product Data

Order code	928197205308
Full product code	928197205308
Full product name	MSD Platinum 20 R
Order product name	MSD Platinum 20 R
Pieces per pack	1
Packing configuration	24
Packs per outerbox	24
Bar code on pack - EAN1	8718291768883
Bar code on outerbox - EAN3	8718291768890
Logistic code(s) - 12NC	928197205308
Net weight per piece	80.000 gr

**PHILIPS**

# MSD Platinum (Touring/Stage)

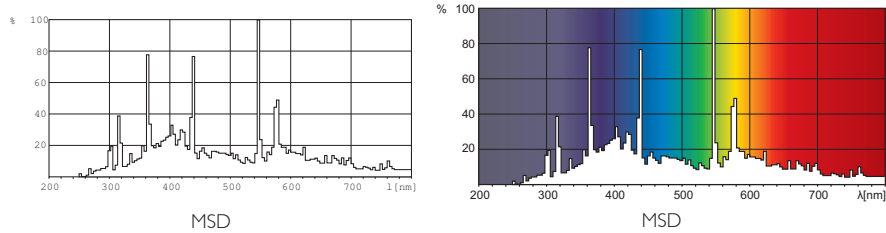
## Dimensional drawing



## MSD Platinum 20 R

Product	C (Max)	D (Max)	F (Min)	F (Norm)	F (Max)	L (Min)	L (Norm)	L (Max)	O (Norm)	T (Max)
MSD Platinum 20 R	72	58.5	-	-	-	-	-	-	1.2	-

## Photometric data



© 2015 Koninklijke Philips N.V. (Royal Philips)  
All rights reserved.

Specifications are subject to change without notice. Trademarks are the property of Koninklijke Philips N.V. (Royal Philips) or their respective owners.

[www.philips.com/lighting](http://www.philips.com/lighting)

2015, March 9  
data subject to change