

# PRO-STAR™ MR16

## LINE VOLTAGE MR16 LAMPS

Pro-Star™ line voltage MR16 lamps were designed for applications where the compact appearance of an MR16 is desired without the requirement of a low voltage transformer. The Pro-Star lamps feature a “turn-in / turn-out” locking base that is designed for easy installation in compact spaces. In addition, the overall length of Pro-Star lamps is shorter than PAR16 and JDR Halogen lamps making them a perfect fit for compact lighting designs. These lamps are available in aluminum (GU10) reflectors with UV-stop front glass that protects objects from harmful ultraviolet emissions. With beam spreads of 25 degree narrow flood and 50 degree wide flood, these lamps are ideal for most indoor general lighting applications.

Available in - 50W, Narrow Flood and Wide Flood beam spreads

### FEATURES & BENEFITS:

- GU10 Base with Aluminized Reflector
- Dimmable
- Line Voltage - No Transformers Needed
- UV Protected
- Compact Design
- Turn-In / Turn-Out Base for Easy Installation

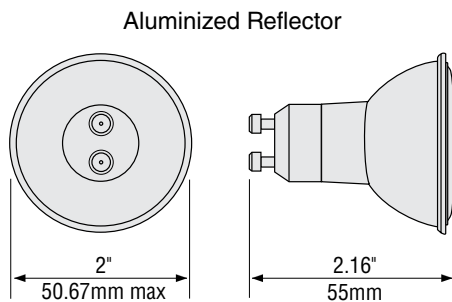
### APPLICATIONS:

- Track Lighting
- Display Lighting
- Retail Lighting
- Museums and Galleries
- Accent Lighting



Case Quantity: 100

Watts (W)	Ordering Code	Lamp Description	Voltage (V)	Color Temp (K)	Beam Angle	Beam Spread	Luminous Intensity (cd)	Average Rated Life (h)
<b>Pro-Star™ MR16 Turn In/Out Base</b>								
50	1003301	50MR16/GU10/NFL25	120	2750	25°	Narrow Flood	1400	2500
50	1003303	50MR16/GU10/WFL50	120	2750	50°	Wide Flood	650	2500



GU10

ø(ft)	H(ft)	E(fc)
1.44	3.3	130
2.89	6.6	33
4.33	9.8	14
5.77	13.1	8
25°	PRO-STAR	50W

ø(ft)	H(ft)	E(fc)
3.05	3.3	60
6.10	6.6	15
9.18	9.8	7
12.23	13.1	4
50°	PRO-STAR	50W



Form No. S-MR16PROSTAR/0615  
 Specifications may be subject to change without prior notice.  
 Refer to [www.ushio.com](http://www.ushio.com) for the most current product specifications.



Scan with a smartphone to view this product online.