

# UCB

## CCT Selectable LED Under Cabinet

### Product Description

The UCB LED Under Cabinet light is an attractive and efficient lighting solution designed to enhance illumination in various spaces. The 5CCT Selectable functionality allows for easy adjustment to 2700K, 3000K, 3500K, 4000K, or 5000K color temperature settings. The UCB's 1-inch low-profile and gloss white finish presents a clean, professional look allowing an existing wall switch or dimmer to easily control your lights. Available in a range of lengths from 9 to 42 inches, the UCB offers flexibility to fit various cabinet sizes. Whether in a kitchen, under a shelf, or in a defined workspace, the UCB is perfect for task or accent lighting and illuminating products, apparel, or collectibles. The UCB comes with a 5-year limited system warranty, making it a dependable choice for under cabinet lighting in residential, retail, and commercial applications.

#### Construction

- Powder coated steel housing
- Frosted polycarbonate diffuser
- Available in lengths of 9, 12, 18, 21, 24, 33 and 42 inches.

#### Optical System

- Uniform lighting with fully diffused polycarbonate diffuser
- Utilizes high performing LEDs with 90+ CRI and an R9 > 50
- CCT Selectable at 2700K, 3000K, 3500K, 4000K and 5000K

#### Electrical

- 120VAC Input
- Available with or without power switch on fixture
- CCT selector switch on face of fixture
- Dimmable to 5% with compatible leading edge (TRIAC) or trailing edge (ELV) dimmers
- Operating temperature rating of -4°F to 113°F (-20°C to 45°C)

#### Finish

- Gloss white powder coat

#### Mounting and Installation

- Easy surface mount installation
- Conduit clamp and mounting screws included
- Versatile 1/2-inch knockout selection, which includes one knockout hole on each side and three knockout holes at the back, enabling multiple wiring directions.

#### Listings

- cULus 1598 Listed for damp locations
- RoHS Compliant
- Meets FCC Part 15, Subpart B, Class B standards for conducted and radiated emissions
- LED lumen maintenance: L70(9k)>50,000 hrs
- LM-79, LM-80 testing performed in accordance with IESNA standards

#### Warranty

- 5-year limited system warranty standard

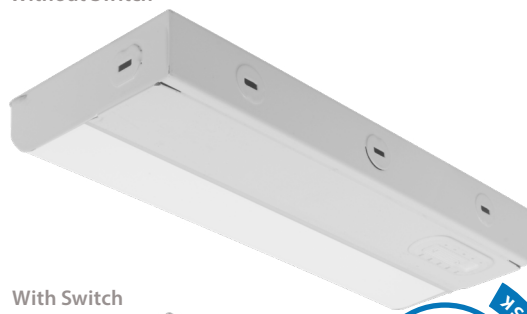
Project

Catalog

Type

Date

Without Switch



With Switch



**UCB**  
LED Under Cabinet  
9" - 42" (340-1300lm)  
5 CCT selectable



## Ordering Information

Series	Version	Length	CCT	Power Switch	Finish
UCB	1	09 (9 inches)	S (Select 2700/3000/3500/4000/5000)	_ (Switch)	WH (white)
		12 (12 inches)			
		18 (18 inches)			
		21 (21 inches)			
		24 (24 inches)			
		33 (33 inches)			
		42 (42 Inches)			

## Photometric Data

All reports based on current industry standards; field performance may differ from laboratory performance.  
 Specifications and dimensions subject to change without notice.

### Performance Data

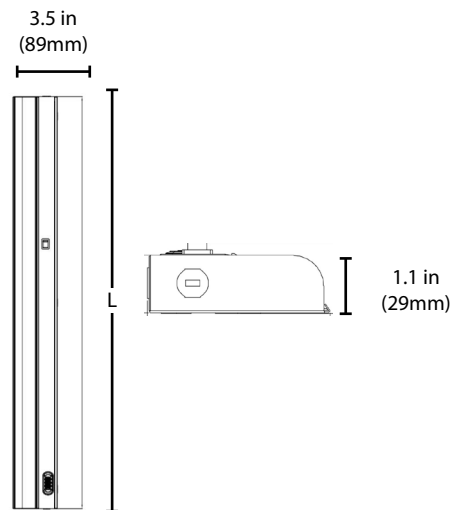
Model Number	Nominal CCT (K)	Lumens	Watts	Lumens/Watt
UCB109S	2700	340	5	68
	3000	345		69
	3500	350		70
	4000	355		71
	5000	360		72
UCB112S	2700	340	5	68
	3000	345		69
	3500	350		70
	4000	355		71
	5000	360		72
UCB181S	2700	612	9	68
	3000	621		69
	3500	630		70
	4000	639		71
	5000	648		72
UCB121S	2700	612	9	68
	3000	621		69
	3500	630		70
	4000	639		71
	5000	648		72
UCB124S	2700	612	9	68
	3000	621		69
	3500	630		70
	4000	639		71
	5000	648		72
UCB133S	2700	952	14	68
	3000	966		69
	3500	980		70
	4000	994		71
	5000	1008		72
UCB142S	2700	1224	18	68
	3000	1242		69
	3500	1260		70
	4000	1278		71
	5000	1296		72

### Recommended Dimmers\*

LUTRON-PD-SNE-WH-C  
 LUTRON-TGCL-153P  
 LUTRON-AYCL-253P-WH  
 LUTRON-RRD-PRO-WH  
 LUTRON-SELV-300P-WH-CSA

\*Not a complete list. Check compatibility before installation.

## Dimensions



### Length Dimensions (L)

	Inches	Millimeters
UCB109	9	229
UCB112	12	305
UCB118	18	457
UCB121	21	533
UCB124	24	610
UCB133	33	838
UCB142	42	1067

This device complies with part 15 of the FCC Rules. Operation is subject to the following two conditions: (1) This device may not cause harmful interference, and (2) this device must accept any interference received, including interference that may cause undesired operation.

NOTE: This equipment has been tested and found to comply with the limits for a Class B digital device, pursuant to part 15 of the FCC Rules. These limits are designed to provide reasonable protection against harmful interference in a residential installation. This equipment generates, uses and can radiate radio frequency energy and, if not installed and used in accordance with the instructions, may cause harmful interference to radio communications. However, there is no guarantee that interference will not occur in a particular installation. If this equipment does cause harmful interference to radio or television reception, which can be determined by turning the equipment off and on, the user is encouraged to try to correct the interference by one or more of the following measures:

- Reorient or relocate the receiving antenna.
- Increase the separation between the equipment and receiver.
- Connect the equipment into an outlet on a circuit different from that to which the receiver is connected.
- Consult the dealer or an experienced radio/TV technician for help.