

LED TROFFER RETROFIT KIT INSTALLATION INSTRUCTIONS

Model(s): **T4AR-22-MV-35** **T4AR-24-MV-35**
T4AR-22-MV-40 **T4AR-24-MV-40**
T4AR-22-MV-50 **T4AR-24-MV-50**



To prevent death, injury or damage to property, this product must be installed in accordance to National Electrical Code (NFPA70) in the US or Canadian Electrical Code (CSA 22.1) in Canada.

Risk of fire or electric shock. The electrical rating of these products are 120-277 Vac, the installer must determine whether they have 120-277 V at the luminaire before installation.

Risk of fire or electric shock. LED Retrofit Kit installation requires knowledge of luminaires electrical systems. If not qualified, do not attempt installation. Contact a qualified electrician.

Risk of fire or electric shock. Install this kit only in the luminaires that have the construction features and dimensions shown below and where the input rating of the retrofit kit does not exceed the input rating of the luminaire.

To prevent wiring damage or abrasion, do not expose wiring to edges of sheet metal or other sharp objects.

Risk of fire or electric shock. Luminaire wiring and electrical parts may be damaged when drilling for installation of LED retrofit kit. Check for enclosed wiring and components."

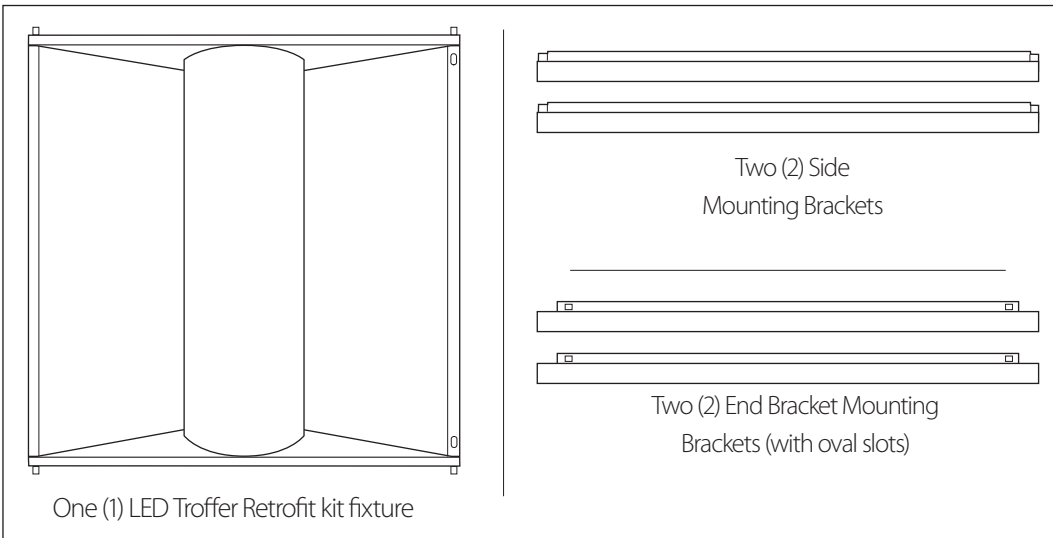
Disconnect power before installing the product or servicing it.

Wait until fixture has cooled down before installing or servicing the fixture.

MIN. 90°C SUPPLY CONDUCTORS

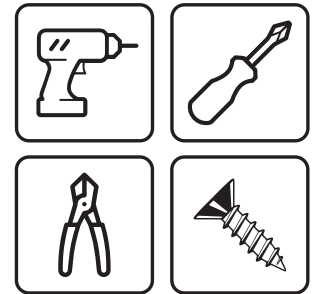
Only those open holes indicated in the photographs and/or drawings may be made or altered as a result of kit installation. Do not leave any other open holes in an enclosure of wiring or electrical components.

What's In The Box



Tools Needed

This LED Troffer Retrofit Kit requires very few tools for installation. A drill or a screwdriver and a pair of wirecutters will help to remove the old ballast. Sheet metal screws can be used to attach the safety cables to the housing.

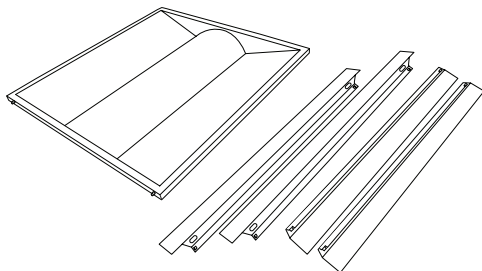


Minimum dimensions for existing fluorescent luminaire housing.

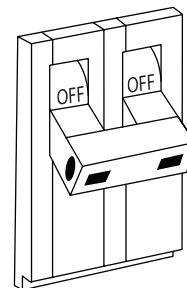
Housing Designation	Overall inner Dimensions
2' x 2'	24" x 24" x 3.25" high
2' x 4'	48" x 24" x 3.25" high

Troffer Retrofit Installation

- Carefully unpack the fixture from its packaging. Inspect product for defects due to shipping. NOTE: End Brackets have oval slots.

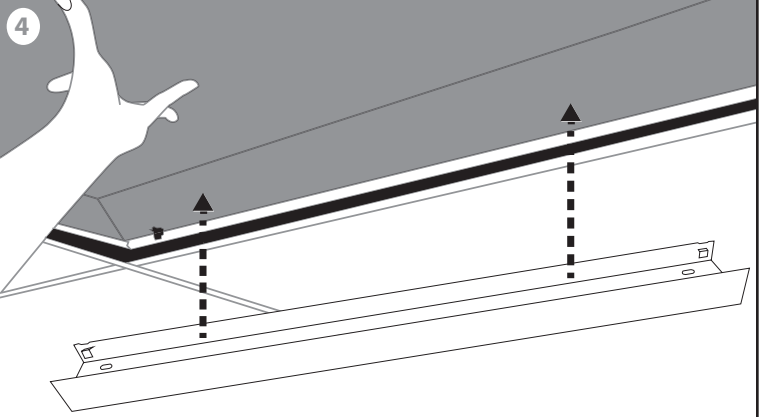
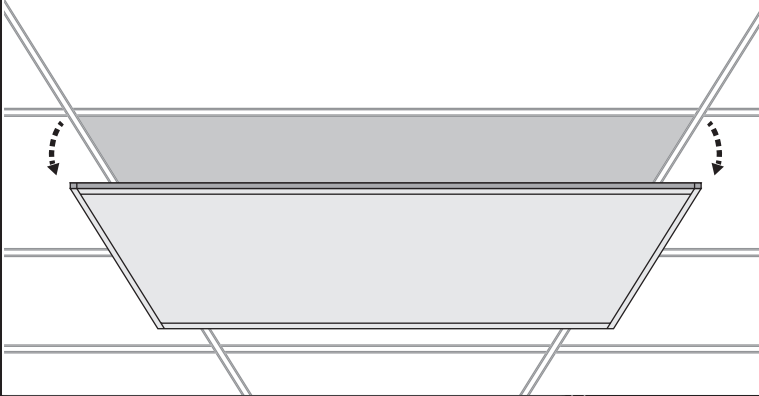


- Turn off power to appropriate circuit at the breaker panel.

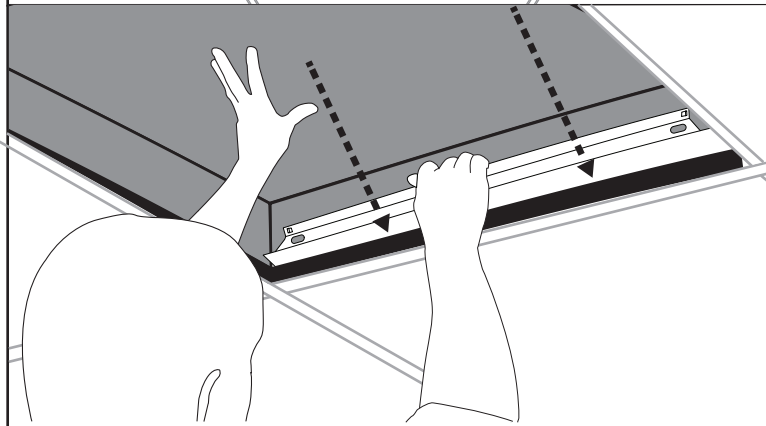


Troffer Retrofit Installation Continued

- 3 Remove existing lens/louvers, tombstones, ballasts, and ballast cover. Ensure that power wires are fed through housing after removing ballast.

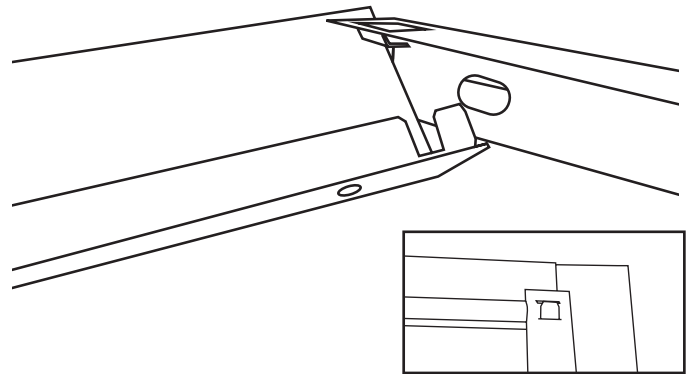


- 4 Lift troffer housing and place both **End Mounting Brackets** under the existing housing, with the wide flat edge facing the floor and the notched edge facing the ceiling.

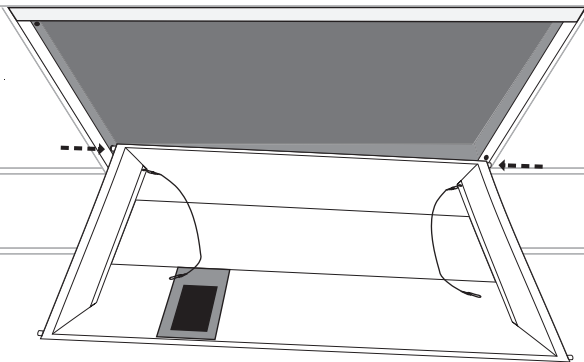


Ensure that both wider flat **End Mounting Brackets** edge sits between the existing housing and ceiling tile frame.

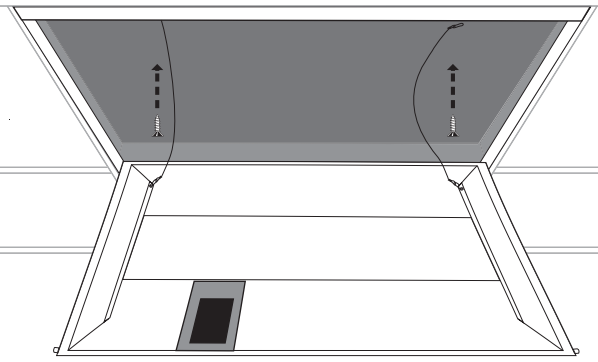
- 6 Next place the **Side Mounting Brackets** in the same way as the End Mounting Brackets. Attaching the bracket notches together as show. Inset image shows how notches fit together.



- 7 Locate the 2 pins on opposite side of driver. Hang this end of fixture by inserting metal pins into the bracket.

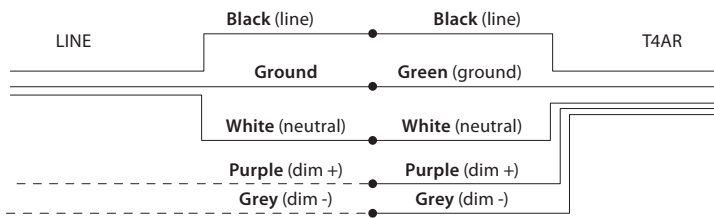


- 8 Next connect safety cable to fixture housing using self-tapping screws.

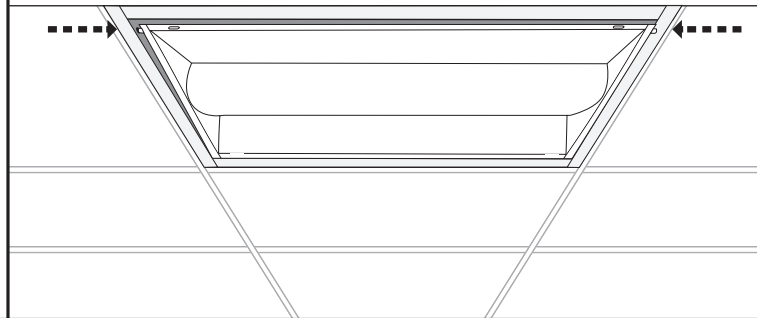


Troffer Retrofit Installation Continued

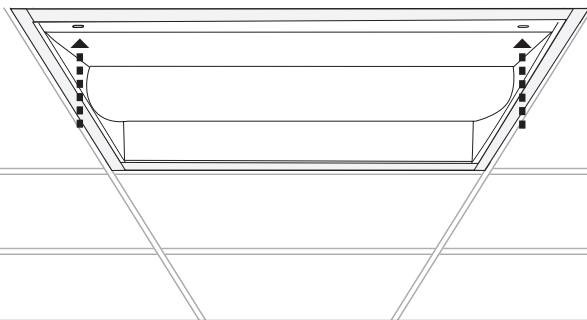
9 Connect wiring as shown. Grey and purple wires are for 0-10V dimming systems. Cap off if not used.



10 Swing fixture up, depress pins to lock into place.



11 NOTE: The 2 silicone "buttons" provide access if service is needed. Use a screw driver to push the buttons to open the fixture for service.



12 Turn power on and verify that the panel is lit.

EXPRESS LIMITED WARRANTY

Subject to the exclusions contained below, NICOR Inc. (NICOR) warrants that all NICOR LED branded Solid State Lighting products made by NICOR to be free from defects in materials and workmanship, under normal consumer usage for a period of 5 years from date of purchase. This limited warranty is a consumer's exclusive remedy, and applies only to new products purchased and used by consumers in the United States or Canada, which are accompanied by this written warranty.

This limited warranty extends only to the first consumer purchaser, and is not transferable. A consumer wishing to invoke the terms of this warranty must first obtain a RGA number within 30 days of discovery of the defect, and return the product to NICOR for inspection. Once verified to be covered by this limited warranty, NICOR will, at its discretion, repair, replace or refund the purchase price of any product that does not conform to this limited warranty.

This limited warranty covers only defects in material and workmanship associated with normal installation and intended use of the product.

THIS LIMITED WARRANTY DOES NOT COVER THE FOLLOWING:

- Defects or damages resulting from improper operation, storage, misuse or abuse, accident or neglect;
- Defects or damages resulting from improper service, testing, adjustment, installation, maintenance, alteration, connection to out-of-specification electrical service, corrosive or damp environments, or connection to incompatible equipment or devices (e.g., connecting non-dimmable lighting products to dimmers);
- Damage which occurs in transit; and
- Labor or other charges or expenses associated with the removal, repair, or re-installation of defective or replacement products.

ANY IMPLIED WARRANTIES, INCLUDING WITHOUT LIMITATION, THE IMPLIED WARRANTIES OF MERCHANTABILITY AND FITNESS FOR A PARTICULAR PURPOSE SHALL BE LIMITED TO THE DURATION OF THIS LIMITED WARRANTY, OTHERWISE THE REPAIR, REPLACEMENT OR REFUND AS PROVIDED UNDER THIS EXPRESS LIMITED WARRANTY IS THE EXCLUSIVE REMEDY OF THE CONSUMER, AND IS PROVIDED IN LIEU OF ALL OTHER WARRANTIES, EXPRESS OR IMPLIED. IN NO EVENT SHALL NICOR BE LIABLE, WHETHER IN CONTRACT OR IN TORT (INCLUDING NEGLIGENCE) FOR DAMAGES IN EXCESS OF THE PURCHASE PRICE OF THE PRODUCT, OR FOR ANY INDIRECT, INCIDENTAL, SPECIAL OR CONSEQUENTIAL DAMAGES OF ANY KIND, OR LOSS OF REVENUE OR PROFITS, LOSS OF BUSINESS OR OTHER FINANCIAL LOSS ARISING OUT OF OR IN CONNECTION WITH THE ABILITY OR INABILITY TO USE THE PRODUCT TO THE FULL EXTENT THESE DAMAGES MAY BE DISCLAIMED BY LAW.

Copyright 2016, NICOR, Inc.
Revised November, 2016

This device complies with part 15 of the FCC Rules. Operation is subject to the following two conditions: (1) This device may not cause harmful interference, and (2) this device must accept any interference received, including interference that may cause undesired operation.

NOTE: This equipment has been tested and found to comply with the limits for a Class A digital device, pursuant to part 15 of the FCC Rules. These limits are designed to provide reasonable protection against harmful interference when the equipment is operated in a commercial environment. This equipment generates, uses, and can radiate radio frequency energy and, if not installed and used in accordance with the instruction manual, may cause harmful interference to radio communications. Operation of this equipment in a residential area is likely to cause harmful interference in which case the user will be required to correct the interference at his own expense.