

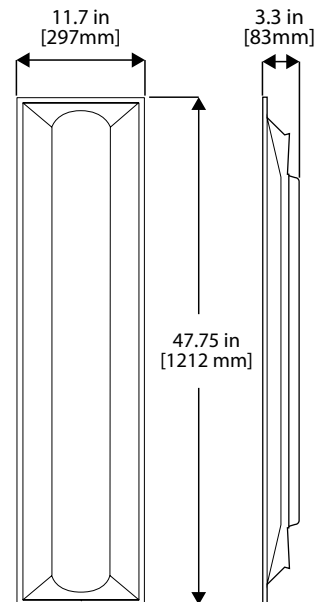
T3A

1x4 Architectural LED Troffer

Project _____

Catalog _____

Type _____



Product Description

The T3A Architectural LED Troffer provides an economical, easy-to-install upgrade from linear fluorescent lighting to a long-lasting and energy-efficient LED solution. The contemporary center lens design delivers a soft natural glow with even illumination and minimized glare making it an attractive general-purpose ambient lighting solution. The T3A also features a premounted driver with a high efficiency, maintenance-free, LED chamber and is available in 1x4, 2x2 or 2x4 configurations. Whether it's a school, hospital, airport, office or convenience store, NICOR LED troffers bring a stylish and economical lighting solution to all commercial, educational, medical, and retail applications.

Construction

- Durable steel construction with powder coat finish
- High efficiency, maintenance-free LED chamber
- Smooth formed sides for safe handling

Optical System

- Precision engineered polystyrene diffuser
- No visible diodes, hot-spots, or shadows providing high uniformity, and reduced glare

Electrical

- Greater than 90 CRI (not available in 5000K)
- Color tolerance tighter than the 3-step MacAdam ellipse for consistent color performance
- Long-life LED system coupled with electrical driver to deliver optimal performance with 90+ lumens per watt depending on fixture size and CCT
- Driver delivers full-range dimming from 0 - 10VDC
- Operating temperature rating of 0°F to 100°F (-18°C to 38°C)
- Input voltage of 120-277VAC

Mounting and installation

- Features an integral driver for easy installation
- Can be installed in conventional suspended grid ceiling
- Mounting holes provided for seismic wire
- Certified for direct contact with insulation

Finish

- Matte white powder coat finish

Options

- Drywall adaptor/flange kit available for 1x4, 2x2, and, 2x4 fixtures
- Surface Mount Kit converts T3A Series troffers into surface mount luminaires
- Emergency Battery Backup Driver available for all sizes

Warranty

- 5-year limited system warranty standard
- Warranty does not cover product failure due to an overvoltage event (power surge.) For installations where power surge may be possible, NICOR recommends installing additional surge protection at the fixture or electrical distribution panel
- TM-21 Projected L70(6k) life >85,000 hours
- LM-79, LM-80 testing performed in accordance with IESNA standards.

PRODUCT INFORMATION

LED Lifetime Projected:	85,000 Hours
Input Voltage:	120-277V
Power Draw:	37W
Fixture Dimensions:	11.7 in x 47.75 in x 3.3 in (LxWxH)

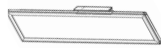
Ordering Information Example: T3A-14-S-MV-40-EM

Series	Size	Style	Voltage	CCT's	EM
T3A	14 (1' x 4')	S	MV (120-277V)	35 (3500 K)	EM (Emergency Battery)
				40 (4000 K)	
				50 (5000 K)	

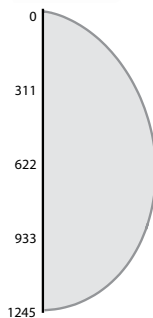
Specifications and dimensions subject to change without notice.

Photometric Data - Type C Goniophotometer

3500K T3A 1X4



Luminaire	3500K
Input Voltage (VAC)	120-277
System Level Power (W)	37
Delivered Lumens (Lm)	3474
System Efficacy (Lm/W)	94
Correlated Color Temp (K)	3428
Color Rendering Index (CRI)	96



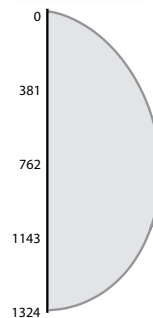
Zonal Lumen Summary

Zone	Lumens	% of Luminaire
0-30	973	28%
0-40	1563	45%
0-60	2779	80%
0-90	3474	100%
90-180	0	0%
0-180	3474	100%

4000K T3A 1X4



Luminaire	4000K
Input Voltage (VAC)	120-277
System Level Power (W)	37
Delivered Lumens (Lm)	3554
System Efficacy (Lm/W)	96
Correlated Color Temp (K)	3932
Color Rendering Index (CRI)	94



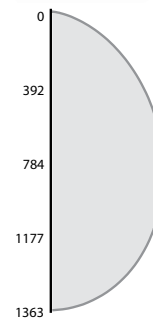
Zonal Lumen Summary

Zone	Lumens	% of Luminaire
0-30	995	28%
0-40	1599	45%
0-60	2843	80%
0-90	3554	100%
90-180	0	0%
0-180	3554	100%

5000K T3A 1X4



Luminaire	5000K
Input Voltage (VAC)	120-277
System Level Power (W)	37
Delivered Lumens (Lm)	3696
System Efficacy (Lm/W)	100
Correlated Color Temp (K)	4991
Color Rendering Index (CRI)	81



Zonal Lumen Summary

Zone	Lumens	% of Luminaire
0-30	1035	28%
0-40	1663	45%
0-60	2957	80%
0-90	3696	100%
90-180	0	0%
0-180	3696	100%