

ERL3|4

LED Emergency Remote Head Lamp

Product Description

The ERL Series wet location rated LED Remote lamps are designed to work with any of our LED exit combos and emergency lighting units. This sleek, contemporary design offers fully adjustable heads that complement any environment. Available in single or double head options with a dual voltage.

Construction

- Injection molded thermoplastic ABS housing
- UL-94V-0 flame rating - Flame Retardant

Electrical

- 1.2 Watts per head
- 9.6v

PRODUCT INFORMATION

Input Voltage (V):	9.6V
ERL3 Power Draw (W):	1.2
ERL4 Power Draw (W):	2.4

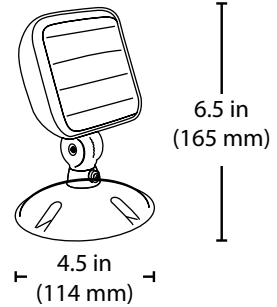
Project _____

Catalog _____

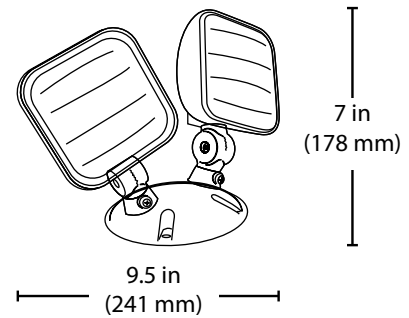
Type _____

Date _____

ERL3



ERL4



Ordering Information

Example: ERL1-10-WH

Series	Version	Housing Color
ERL3	10 (1.0)	__ (Standard Gray)
ERL4		WH (White)*

*Only available for ERL4