

SureFit™ v2

Ultra Slim Surface Mount LED Downlight

Product Description

The newest version of the SureFit™ Ultra Slim Surface Mount LED Downlight features an even smaller custom-designed driver for quick and easy installation into more junction boxes. The DLF will fit most standard 4/O, 4" non-metallic new construction or remodel J-Boxes. Simply mount the fixture directly to the J-Box using the keyhole mounting slots and two screws. Detachable round steel trims and square die-cast aluminum trims offer a seamless finish in both round and square apertures to enhance the visual aesthetic of any living space. The NICOR SureFit™ is the perfect solution for residential and light commercial spaces including living rooms, bedrooms, home theaters, corridors, office, retail and more.

Construction

- Spun aluminum housing routes heat away from electrical components
- Custom designed, integrated driver allows for use in metallic and non-metallic 4" and 4/O J-Boxes
- Detachable round steel trim
- Optional square die cast aluminum trim

Optical System

- Polystyrene diffuser creates uniform light distribution that reduces glare while maximizing lumen output

Electrical

- Custom slim driver minimizes installation height
- Input voltage of 120VAC, 60Hz
- Dimmable to less than 5% with compatible leading edge (TRIAC) and trailing edge (ELV) dimmers
- LM-79 testing performed in accordance with IESNA standards

LED

- Available in 2700K, 3000K, 4000K, or 5000K
- Binned within 4-step MacAdams with $\text{duv} < \pm 0.003$
- TM-21 Reported L70(10K) hours >56,000
- Utilizes high performing LEDs with 90+ CRI and an $R9 > 50$

Finish

- White powder coat finish standard
- Optional trims available in Black, Nickel, Oil-Rubbed Bronze, and White

Mounting and Installation

- Easy installation in most 4/O and 4" non-metallic new construction and remodel J-Boxes
- Removable trim allows for easy mounting while providing a seamless trim finish
- Fixture mounts directly to J-Boxes with two screws
- Keyhole slots allow quick and easy installation
- Three three-port poke-in connectors included
- Operating temperature of 0° to 104°F (-18°C to 40°C)
- For installations where power surge may be possible, NICOR recommends installing additional surge protection at the electrical distribution panel

Warranty

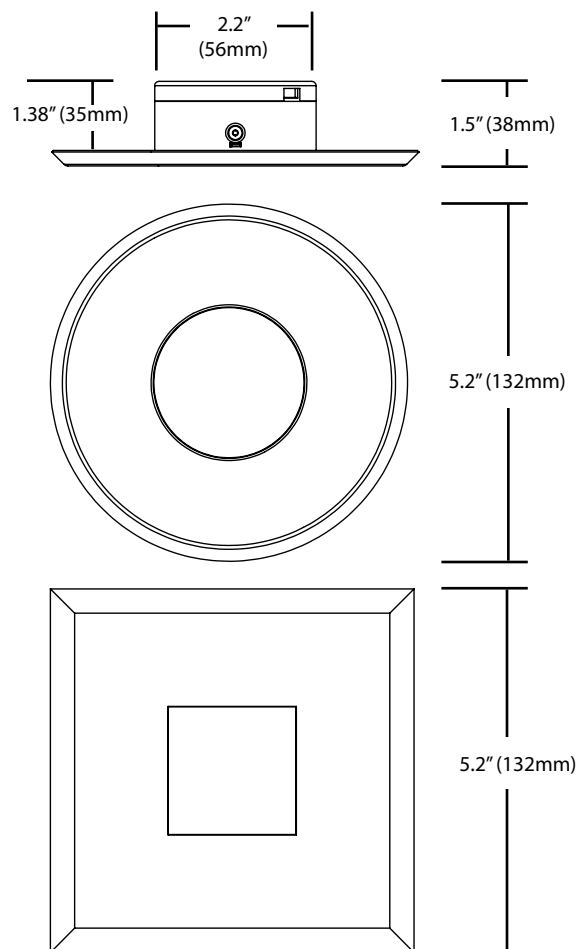
- 5-year limited system warranty standard
- Warranty does not cover product failure due to an overvoltage event (power surge)

Project

Catalog

Type

Date

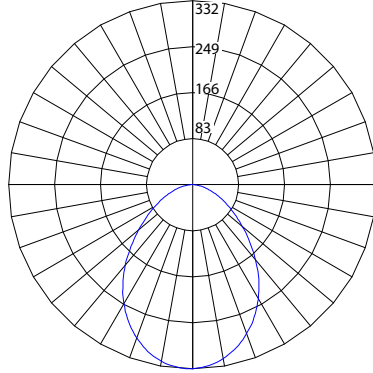


U.S. Patent Pending

Photometric Data

DLF 2700K

| | |
|-----------------------------|----------|
| Input Voltage (VAC) | 120V |
| System Level Power (W) | 10.5 |
| Delivered Lumens* (Lm) | 674 |
| System Efficacy (Lm/W) | 64.2 |
| Correlated Color Temp (K) | 2692 |
| Color Rendering Index (CRI) | 94 R9=64 |
| Beam Angle | 86° |
| Spacing Criteria | 1.10 |



Intensity Summary (Candle Power)

| Angle | Mean CP |
|-------|---------|
| 0 | 331 |
| 5 | 327 |
| 15 | 318 |
| 25 | 304 |
| 35 | 285 |
| 45 | 263 |
| 55 | 237 |
| 65 | 208 |
| 75 | 177 |
| 85 | 146 |
| 90 | 118 |

CCT Data Multiplier

| | |
|--------------|-------|
| DLF201203KWH | 1.020 |
| DLF201204KWH | 1.058 |
| DLF201205KWH | 1.071 |

Cone of Light Tabulation

| Mounted height (Feet) | Footcandles Beam Center | Diameter (Feet) |
|-----------------------|-------------------------|-----------------|
| 4 | 20.7 | 7.4 |
| 6 | 9.2 | 11.1 |
| 8 | 5.2 | 14.8 |
| 10 | 3.3 | 18.5 |
| 12 | 2.3 | 22.1 |
| 14 | 1.7 | 25.8 |
| 16 | 1.3 | 29.5 |

Zonal Lumen Summary

| Zone | Lumens | % of Luminaire |
|--------|--------|----------------|
| 0-30 | 241 | 35.7% |
| 0-40 | 374 | 55.5% |
| 0-60 | 579 | 86% |
| 0-90 | 674 | 100% |
| 90-180 | 0 | 0% |
| 0-180 | 674 | 100% |

*With round white trim

Fixture tested per LM-79-08. Photometric data is of the performance of a representative fixture with round white trim. Results may vary in the field.

Performance Data

| Model Number | Lumens* | Watts | Lumens/Watt |
|--------------|---------|-------|-------------|
| DLF201202KWH | 674 | 10.5 | 64.4 |
| DLF201203KWH | 687 | 10.5 | 65.7 |
| DLF201204KWH | 713 | 10.5 | 68.1 |
| DLF201205KWH | 721 | 10.5 | 69.0 |

*With round white trim

Recommended Dimmers*

Lutron Caseta PD-10XN
Leviton IPL06
Legrand Adorne SoftTap
Lutron Skylark SELV 300P
Cooper SAL06P

Housing Compatibility*

| 4" O Metallic | 4" Non-Metallic |
|---------------------|--|
| Any of depth ≥ 1.5" | Carlton B620 series Arlington f426 Legrand S120 Series |

*Not a complete list. Check compatibility before installation.

Ordering Information

Example: DLF201203KWH

| Series | Version | Voltage | CCT's | Trim Color |
|--------|---------|------------|-------------|------------|
| DLF | 20 | 120 (120V) | 2K (2700 K) | WH (White) |
| | | | 3K (3000 K) | |
| | | | 4K (4000 K) | |
| | | | 5K (5000 K) | |

Specifications and dimensions subject to change without notice.

Accessories

Accessories sold separately

| | |
|-------------------------------|-------------------|
| Round Nickel Trim | DLF-10-TRIM-RD-NK |
| Round Oil-Rubbed Bronze Trim | DLF-10-TRIM-RD-OB |
| Round Black Trim | DLF-10-TRIM-RD-BK |
| Round White Trim | DLF-10-TRIM-RD-WH |
| Square Nickel Trim | DLF-10-TRIM-SQ-NK |
| Square Oil-Rubbed Bronze Trim | DLF-10-TRIM-SQ-OB |
| Square Black Trim | DLF-10-TRIM-SQ-BK |
| Square White Trim | DLF-10-TRIM-SQ-WH |

*DLFv1 Trims are compatible with the DLFv2