

SureFit™ v2

Ultra Slim Surface Mount LED Downlight

Product Description

The newest version of the SureFit™ Ultra Slim Surface Mount LED Downlight features an even smaller custom-designed driver for quick and easy installation into more junction boxes. The DLF will fit most standard 4/O, 4" non-metallic new construction or remodel J-Boxes. Simply mount the fixture directly to the J-Box using the keyhole mounting slots and two screws. Detachable round steel trims and square die-cast aluminum trims offer a seamless finish in both round and square apertures to enhance the visual aesthetic of any living space. The NICOR SureFit™ is the perfect solution for residential and light commercial spaces including living rooms, bedrooms, home theaters, corridors, office, retail and more.

Construction

- Spun aluminum housing routes heat away from electrical components
- Custom designed, integrated driver allows for use in metallic and non-metallic 4" and 4/O J-Boxes
- Detachable round steel trim
- Optional square die cast aluminum trim

Optical System

- Polystyrene diffuser creates uniform light distribution that reduces glare while maximizing lumen output

Electrical

- Custom slim driver minimizes installation height
- Input voltage of 120VAC, 60Hz
- Dimmable to less than 5% with compatible leading edge (TRIAC) and trailing edge (ELV) dimmers
- LM-79 testing performed in accordance with IESNA standards

LED

- Available in 2700K, 3000K, 4000K, or 5000K
- Binned within 4-step MacAdams with $\text{duv} < \pm 0.003$
- TM-21 Reported L70(10K) hours >56,000
- Utilizes high performing LEDs with 90+ CRI and an R9 > 50

Finish

- White powder coat finish standard
- Optional trims available in Black, Nickel, Oil-Rubbed Bronze, and White

Mounting and Installation

- Easy installation in most 4/O and 4" non-metallic new construction and remodel J-Boxes
- Removable trim allows for easy mounting while providing a seamless trim finish
- Fixture mounts directly to J-Boxes with two screws
- Keyhole slots allow quick and easy installation
- Three three-port poke-in connectors included
- Operating temperature of 0° to 104°F (-18°C to 40°C)
- For installations where power surge may be possible, NICOR recommends installing additional surge protection at the electrical distribution panel

Warranty

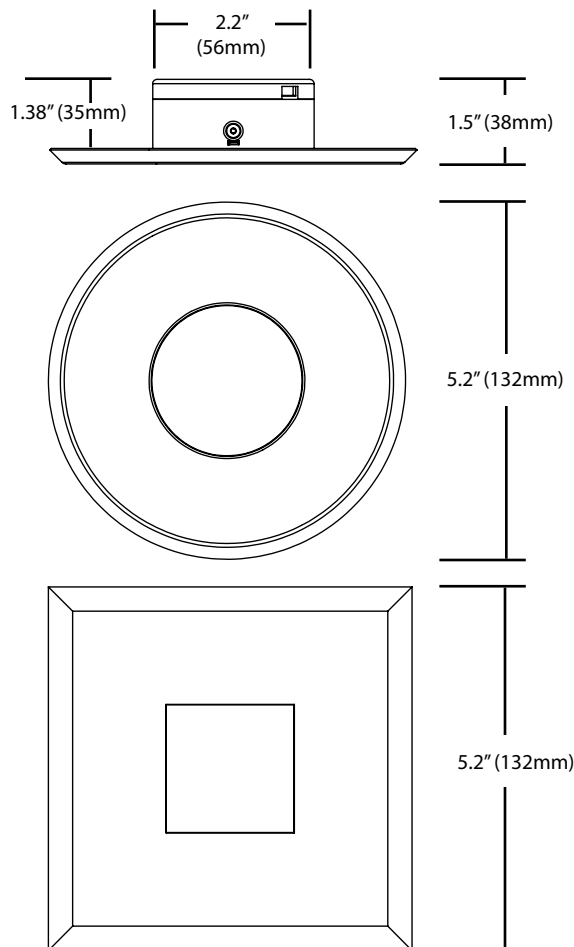
- 5-year limited system warranty standard
- Warranty does not cover product failure due to an overvoltage event (power surge)

Project _____

Catalog _____

Type _____

Date _____

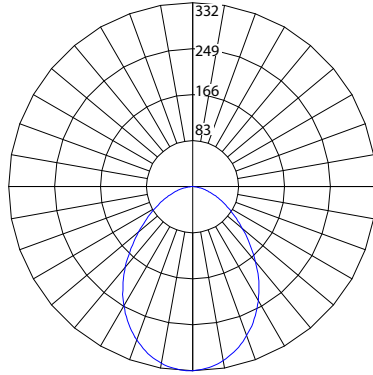


U.S. Patent Pending

Photometric Data

DLF 2700K

Input Voltage (VAC)	120V
System Level Power (W)	10.5
Delivered Lumens* (Lm)	674
System Efficacy (Lm/W)	64.2
Correlated Color Temp (K)	2692
Color Rendering Index (CRI)	94 R9=64
Beam Angle	86°
Spacing Criteria	1.10



Intensity Summary (Candle Power)

Angle	Mean CP
0	331
5	327
15	318
25	304
35	285
45	263
55	237
65	208
75	177
85	146
90	118

CCT Data Multiplier

DLF201203KWH	1.020
DLF201204KWH	1.058
DLF201205KWH	1.071

Cone of Light Tabulation

Mounted height (Feet)	Footcandles Beam Center	Diameter (Feet)
4	20.7	7.4
6	9.2	11.1
8	5.2	14.8
10	3.3	18.5
12	2.3	22.1
14	1.7	25.8
16	1.3	29.5

Zonal Lumen Summary

Zone	Lumens	% of Luminaire
0-30	241	35.7%
0-40	374	55.5%
0-60	579	86%
0-90	674	100%
90-180	0	0%
0-180	674	100%

*With round white trim

Fixture tested per LM-79-08. Photometric data is of the performance of a representative fixture with round white trim. Results may vary in the field.

Performance Data

Model Number	Lumens*	Watts	Lumens/Watt
DLF201202KWH	674	10.5	64.4
DLF201203KWH	687	10.5	65.7
DLF201204KWH	713	10.5	68.1
DLF201205KWH	721	10.5	69.0

*With round white trim

Recommended Dimmers*

Lutron Caseta PD-10XN
Leviton IPL06
Legrand Adorne Softap
Lutron Skylark SELV 300P
Cooper SAL06P

Housing Compatibility*

4" O Metallic	4" Non-Metallic
Any of depth ≥ 1.5"	Carlton B620 series Arlington f426 Legrand S120 Series

*Not a complete list. Check compatibility before installation.

Ordering Information

Example: DLF201203KWH

Series	Version	Voltage	CCT's	Trim Color
DLF	20	120 (120V)	2K (2700 K)	WH (White)
			3K (3000 K)	
			4K (4000 K)	
			5K (5000 K)	

Specifications and dimensions subject to change without notice.

Accessories

Accessories sold separately

Round Nickel Trim	DLF-10-TRIM-RD-NK
Round Oil-Rubbed Bronze Trim	DLF-10-TRIM-RD-OB
Round Black Trim	DLF-10-TRIM-RD-BK
Round White Trim	DLF-10-TRIM-RD-WH
Square Nickel Trim	DLF-10-TRIM-SQ-NK
Square Oil-Rubbed Bronze Trim	DLF-10-TRIM-SQ-OB
Square Black Trim	DLF-10-TRIM-SQ-BK
Square White Trim	DLF-10-TRIM-SQ-WH

*DLFv1 Trims are compatible with the DLFv2