

# 15803L

## LED Step Light (15810, 15811, 15812, 15813)

### Product Description

The 15803L is a rugged LED step light that is both affordable and energy efficient. This step light offers a flexible design aesthetic for any application, giving you a choice of various faceplate cover designs including louvered, glass, textured glass, and textured frosted glass. The soft 3000K color temperature also provides a warm, natural light, making it the perfect accent for your lighting project.

#### Construction

- Damp location listed when used with 15811.
- 15803LWL: Wet location listed when used with 15810, 15812, or 15813

#### Optical System

- 18 LEDs for a total of 2.7W

#### Electrical

- Color temperature of 3000K
- CRI 65
- 120V input into wiring compartment
- IC rated; suitable for direct contact with insulation

#### Installation

- For installations where power surge may be possible, NICOR recommends installing additional surge protection at the fixture or electrical distribution panel

#### Warranty

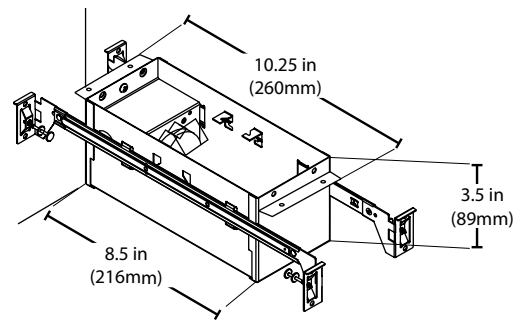
- 5-year limited system warranty standard
- Warranty does not cover product failure due to an overvoltage event (power surge.)

Project \_\_\_\_\_

Catalog \_\_\_\_\_

Type \_\_\_\_\_

Date \_\_\_\_\_



15810 Glass Cover



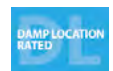
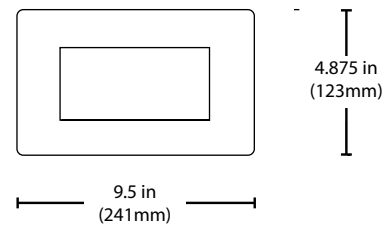
15811 Louvered Cover



15812 Textured Glass Cover



15813 Textured Frosted Glass Cover



### Ordering Information

Catalog Number	
15803L	LED Step Light

15810	Glass cover
15811	Louvered cover
15812	Textured glass cover
15813	Textured frosted glass cover