

STW

Wet Location LED Step Light

Product Description

NICOR's Wet Location LED Step Lights are a great compliment for your residential and commercial projects. Increases the safety of walkways, stairways, patios, and balconies. This step light not only provides safety, but it offers a warm, natural glow making it a perfect accent for any project. Created with Anti-microbial powder coat paint to hinder most bacteria. Available for indoor or outdoor use.

Construction

- Aluminum die-cast housing routes heat away from electrical components
- Vertical model designed for use in metallic and non-metallic 2" x 4" J-Boxes
- Horizontal model designed for use in non-metallic 2" x 4" J-Boxes
- Designed to have no visible hardware, and install flush to the surface

Optical System

- Diffuser creates uniform light distribution that reduces glare while maximizing lumen output

Electrical

- Custom slim driver minimizes installation width
- Input voltage of 120VAC, 60Hz
- Operating temperature of -4°F to 113°F (-20°C to 45°C)
- Horizontal model input power of 5.4W
- Vertical model input power of 3W

LED

- Available in 3000K CCT
- Life rated hours >50,000
- Utilizes high performing LEDs with 80 CRI
- Vertical model luminous flux of 35 lumens
- Horizontal model luminous flux of 75 lumens

Finish

- Powder coat finish available in white, black, or bronze
- Matte finish

Mounting and Installation

- Easy installation, mounting bracket included with fixture
- Wet location approved for indoor and outdoor use. Gasket pre-installed on fixture.
- For installations where power surge may be possible, NICOR recommends installing additional surge protection at the electrical distribution panel

Warranty

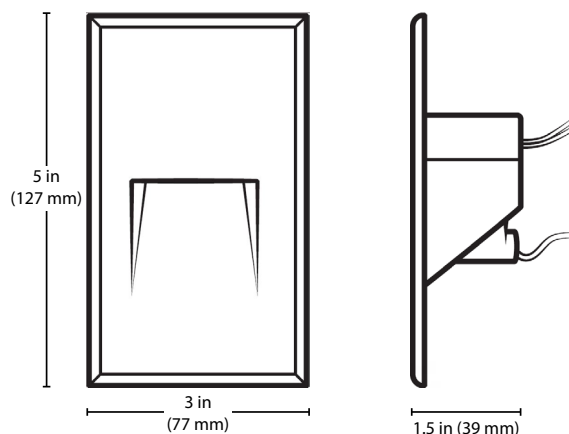
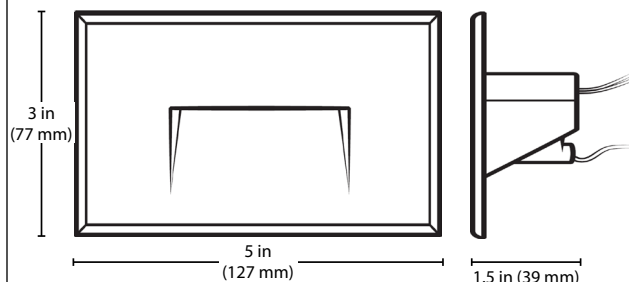
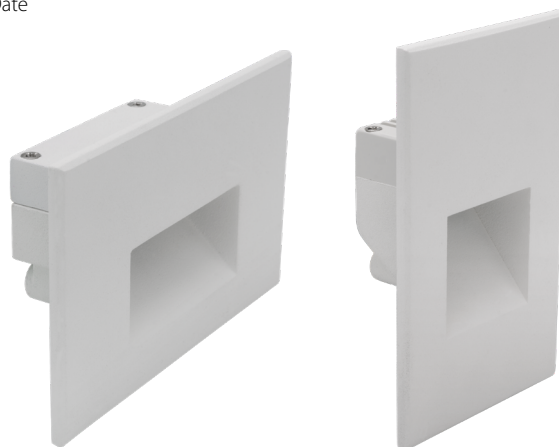
- 5-year limited system warranty standard
- Warranty does not cover product failure due to an overvoltage event (power surge)

Project _____

Catalog _____

Type _____

Date _____



Ordering Information

Example: STW11203KVWH

Series	Version	Voltage	CCT's	Orientation	Trim Color
STW	1	120 (120VAC)	3K (3000 K)	H (Horizontal)	BK (Black)
				V (Vertical)	BZ (Bronze)
					WH (White)