

STP v2

LED Step Light

Product Description

NICOR's LED Step Lights are a great complement for your residential and commercial projects. This step light not only provides a touch of safety, but it offers a warm, natural glow making it a perfect accent for any project. Need more flexibility? This LED step light has been designed with a photocell built right in. Now you can save even more energy and have light only when you need it. No need to turn on a switch, this fixture does it for you. For a truly customizable choice, this LED step light also offers paintable faceplates making it versatile for any residential or commercial application. Wet location approved for indoor and outdoor use.

Construction

- Slim polymer body with gasketing to prevent water intrusion
- Polycarbonate diffuser faceplate
- Powdercoated faceplates in louvered and open face designs

Optical System

- Polycarbonate diffuser creates uniform distribution
- Louvered faceplate conceals LED and provide a footpath directed distribution pattern
- Frosted open faceplate provide enhanced illumination in a wide distribution

Electrical

- Custom driver design minimizes installation depth
- 6" leads for Hot and Neutral connections. No ground required due to polymer housing.
- Input voltage of 120VAC, 60Hz
- Photocell enabled model provides dusk to dawn operation: light off at day, on at night.
- Dimmable with compatible leading edge (TRIAC) and trailing edge (ELV) dimmers
- Operating temperature rating of -4°F to 104°F (-20°C to 40°C)

Finish

- White powder coat finish standard
- Optional faceplates available in Black and Oil-Rubbed Bronze

Mounting and installation

- Mounts directly in most metal, non-metallic and non-metallic remodel single gang junction boxes
- Faceplates allows fixture to be mounted in horizontal or vertical orientation
- Includes two wire nuts and mounting screws
- Wet location approved for indoor and outdoor use
- For installations where power surge may be possible, NICOR recommends installing additional surge protection at the electrical distribution panel

Listings

- cETLus 1598 Listed for wet locations
- RoHS Compliant
- Meets FCC Part 15, Subpart B, Class B standards for conducted and radiated emissions
- TM-21 Reported L70(9k) life >50,000 hour
- LM-79, LM-80 testing performed in accordance with IESNA standards

Warranty

- 5-year limited system warranty standard
- Warranty does not cover product failure due to an overvoltage event (power surge)

Project

Catalog

Type

Date



STP v2
LED Steplight
Louvered or Open Faceplate
Photocell Option



Ordering

Ordering Information

Example: STP2L120WHPC

| Series | Version | Faceplate Style | Voltage | Color | Photocell |
|--------|---------|-----------------|------------|------------|----------------|
| STP | 2 | L (Louvered) | 120 (120V) | WH (White) | Blank (none) |
| | | F (Open Face) | | | PC (Photocell) |

Accessory Faceplates

Accessories sold separately

| Louvered Horizontal | | Louvered Vertical | | Open Face | |
|--------------------------------|--------------|--------------------------------|--------------|--------------------------------|-------------|
| Black Faceplate | STP2FPLHBK | Black Faceplate | STP2FPLVBK | Black Faceplate | STP2FPFBK |
| Black Faceplate PC | STP2FPLHBKPC | Black Faceplate PC | STP2FPLVBKPC | Black Faceplate PC | STP2FPFBKPC |
| Oil-Rubbed Bronze Faceplate | STP2FPLHOB | Oil-Rubbed Bronze Faceplate | STP2FPLVOB | Oil-Rubbed Bronze Faceplate | STP2FPFOB |
| Oil-Rubbed Bronze Faceplate PC | STP2FPLHOBPC | Oil-Rubbed Bronze Faceplate PC | STP2FPLVOBPC | Oil-Rubbed Bronze Faceplate PC | STP2FPFOBPC |
| White Faceplate | STP2FPLHWH | White Faceplate | STP2FPLVWH | White Faceplate | STP2FPFWH |
| White Faceplate PC | STP2FPLHWHPC | White Faceplate PC | STP2FPLVWHPC | White Faceplate PC | STP2FPFWHPC |

Performance Data

Performance Data

| Model | Lumens | Watts | Lumens/Watt | CCT | CRI |
|--------------|--------|-------|-------------|------|-----|
| STP2L120** | 27 | 1 | 27 | 2700 | 80 |
| STP2L120**PC | 27 | 1.5 | 18 | | |
| STP2F120** | 57 | 1 | 57 | 2700 | 80 |
| STP2F120**PC | 57 | 1.5 | 38 | | |

** may be WH, OB or BK finish

Recommended Dimmers*

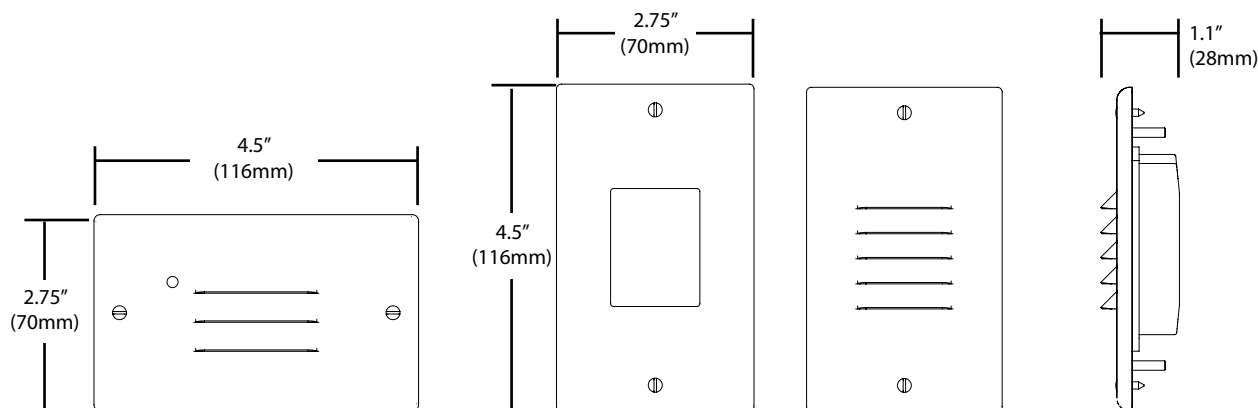
Lutron Diva DVCL-153P
Lutron Skylark SCL-153P

Housing Compatibility*

| Single Gang Metallic | Single Gang Non-Metallic |
|--------------------------|--|
| Any of depth $\geq 1.0"$ | Most boxes of 8in ³ or larger |

*Not a complete list. Check compatibility before installation.

Dimensions



This device complies with part 15 of the FCC Rules. Operation is subject to the following two conditions: (1) This device may not cause harmful interference, and (2) this device must accept any interference received, including interference that may cause undesired operation. NOTE: This equipment has been tested and found to comply with the limits for a Class B digital device, pursuant to part 15 of the FCC Rules. These limits are designed to provide reasonable protection against harmful interference in a residential installation. This equipment generates, uses and can radiate radio frequency energy and, if not installed and used in accordance with the instructions, may cause harmful interference to radio communications. However, there is no guarantee that interference will not occur in a particular installation. If this equipment does cause harmful interference to radio or television reception, which can be determined by turning the equipment off and on, the user is encouraged to try to correct the interference by one or more of the following measures:

- Reorient or relocate the receiving antenna.
- Increase the separation between the equipment and receiver.
- Connect the equipment into an outlet on a circuit different from that to which the receiver is connected.
- Consult the dealer or an experienced radio/TV technician for help.