

STP v2

LED Step Light

Product Description

NICOR's LED Step Lights are a great complement for your residential and commercial projects. This step light not only provides a touch of safety, but it offers a warm, natural glow making it a perfect accent for any project. Need more flexibility? This LED step light has been designed with a photocell built right in. Now you can save even more energy and have light only when you need it. No need to turn on a switch, this fixture does it for you. For a truly customizable choice, this LED step light also offers paintable faceplates making it versatile for any residential or commercial application. Wet location approved for indoor and outdoor use.

Construction

- Slim polymer body with gasketing to prevent water intrusion
- Polycarbonate diffuser faceplate
- Powdercoated faceplates in louvered and open face designs

Optical System

- Polycarbonate diffuser creates uniform distribution
- Louvered faceplate conceals LED and provide a footpath directed distribution pattern
- Frosted open faceplate provide enhanced illumination in a wide distribution

Electrical

- Custom driver design minimizes installation depth
- 6" leads for Hot and Neutral connections. No ground required due to polymer housing.
- Input voltage of 120VAC, 60Hz
- Photocell enabled model provides dusk to dawn operation: light off at day, on at night.
- Dimmable with compatible leading edge (TRIAC) and trailing edge (ELV) dimmers
- Operating temperature rating of -4°F to 104°F (-20°C to 40°C)

Finish

- White powder coat finish standard
- Optional faceplates available in Black and Oil-Rubbed Bronze

Mounting and installation

- Mounts directly in most metal, non-metallic and non-metallic remodel single gang junction boxes
- Faceplates allows fixture to be mounted in horizontal or vertical orientation
- Includes two wire nuts and mounting screws
- Wet location approved for indoor and outdoor use
- For installations where power surge may be possible, NICOR recommends installing additional surge protection at the electrical distribution panel

Listings

- cETLus 1598 Listed for wet locations
- RoHS Compliant
- Meets FCC Part 15, Subpart B, Class B standards for conducted and radiated emissions
- TM-21 Reported L70(9k) life >50,000 hour
- LM-79, LM-80 testing performed in accordance with IESNA standards

Warranty

- 5-year limited system warranty standard
- Warranty does not cover product failure due to an overvoltage event (power surge)

Project

Catalog

Type

Date



STP v2
LED Steplight
Louvered or Open Faceplate
Photocell Option



Ordering

Ordering Information

Example: STP2L120WHPC

Series	Version	Faceplate Style	Voltage	Color	Photocell
STP	2	L (Louvered)	120 (120V)	WH (White)	Blank (none)
		F (Open Face)			PC (Photocell)

Accessory Faceplates

Accessories sold separately

Louvered Horizontal		Louvered Vertical		Open Face	
Black Faceplate	STP2FPLHBK	Black Faceplate	STP2FPLVBK	Black Faceplate	STP2FPFBK
Black Faceplate PC	STP2FPLHBKPC	Black Faceplate PC	STP2FPLVBKPC	Black Faceplate PC	STP2FPFBKPC
Oil-Rubbed Bronze Faceplate	STP2FPLHOB	Oil-Rubbed Bronze Faceplate	STP2FPLVOB	Oil-Rubbed Bronze Faceplate	STP2FPFOB
Oil-Rubbed Bronze Faceplate PC	STP2FPLHOBPC	Oil-Rubbed Bronze Faceplate PC	STP2FPLVOBPC	Oil-Rubbed Bronze Faceplate PC	STP2FPFOBPC
White Faceplate	STP2FPLHWH	White Faceplate	STP2FPLVWH	White Faceplate	STP2FPFWH
White Faceplate PC	STP2FPLHWHPC	White Faceplate PC	STP2FPLVWHPC	White Faceplate PC	STP2FPFWHPC

Performance Data

Performance Data

Model	Lumens	Watts	Lumens/Watt	CCT	CRI
STP2L120**	27	1	27	2700	80
STP2L120**PC	27	1.5	18		
STP2F120**	57	1	57	2700	80
STP2F120**PC	57	1.5	38		

** may be WH, OB or BK finish

Recommended Dimmers*

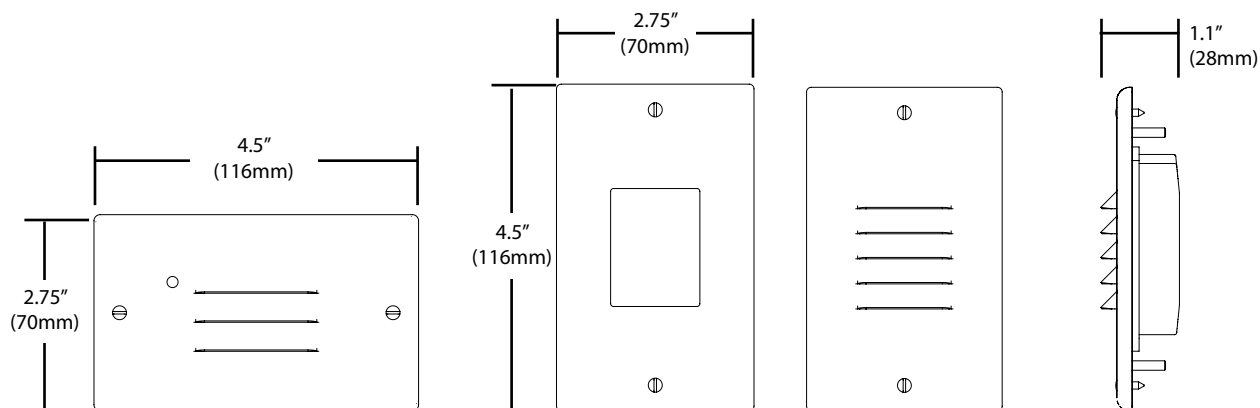
Lutron Diva DVCL-153P
 Lutron Skylark SCL-153P

Housing Compatibility*

Single Gang Metallic	Single Gang Non-Metallic
Any of depth $\geq 1.0"$	Most boxes of 8in ³ or larger

*Not a complete list. Check compatibility before installation.

Dimensions



This device complies with part 15 of the FCC Rules. Operation is subject to the following two conditions: (1) This device may not cause harmful interference, and (2) this device must accept any interference received, including interference that may cause undesired operation. NOTE: This equipment has been tested and found to comply with the limits for a Class B digital device, pursuant to part 15 of the FCC Rules. These limits are designed to provide reasonable protection against harmful interference in a residential installation. This equipment generates, uses and can radiate radio frequency energy and, if not installed and used in accordance with the instructions, may cause harmful interference to radio communications. However, there is no guarantee that interference will not occur in a particular installation. If this equipment does cause harmful interference to radio or television reception, which can be determined by turning the equipment off and on, the user is encouraged to try to correct the interference by one or more of the following measures:

- Reorient or relocate the receiving antenna.
- Increase the separation between the equipment and receiver.
- Connect the equipment into an outlet on a circuit different from that to which the receiver is connected.
- Consult the dealer or an experienced radio/TV technician for help.