



# MR16/GU10/PAR16 LED

## 7MR16 ExpertColor Retail F35 930 10/1

Philips MR16 Dimmable LED Lamps provide ambient level light to illuminate hard to maintain applications. Increased transformer compatibility allows for operation on a wider range of transformers. Available in dimmable and non-dimmable versions, these lamps are ideal for track and open recessed fixtures in retail, hospitality and residential spaces.

### Product data

General Information	
Cap-Base	GU5.3 [ GU5.3]
Nominal Lifetime (Nom)	40000 h
Switching Cycle	50000X
Technical Type	7-42W
Light Technical	
Color Code	930 [ CCT of 3000K]
Beam Angle (Nom)	35 °
Initial lumen (Nom)	430 lm
Luminous Flux (Rated) (Nom)	430 lm
Luminous Intensity (Nom)	1300 cd
Color Designation	White (WH)
Rated Beam Angle	35 °
Correlated Color Temperature (Nom)	3000 K
Luminous Efficacy (rated) (Nom)	61.43 lm/W
Color Consistency	<3
Color Rendering Index (Nom)	90
LLMF At End Of Nominal Lifetime (Nom)	70 %

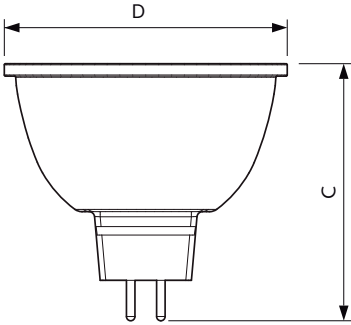
Operating and Electrical	
Power (Rated) (Nom)	7 W
Lamp Current (Nom)	800 mA
Wattage Equivalent	42 W
Starting Time (Nom)	0.5 s
Warm Up Time to 60% Light (Nom)	0.5 s
Power Factor (Nom)	0.7
Voltage (Nom)	12 V
Temperature	
T-Case Maximum (Nom)	90 °C
Controls and Dimming	
Dimmable	No
Approval and Application	
Suitable For Accent Lighting	Yes
Product Data	
Order product name	7MR16 ExpertColor Retail F35 930 10/1

# MR16/GU10/PAR16 LED

EAN/UPC - Product	046677470241
Order code	470245
Numerator - Quantity Per Pack	1
Numerator - Packs per outer box	10

Material Nr. (12NC)	929001342804
Net Weight (Piece)	0.034 kg

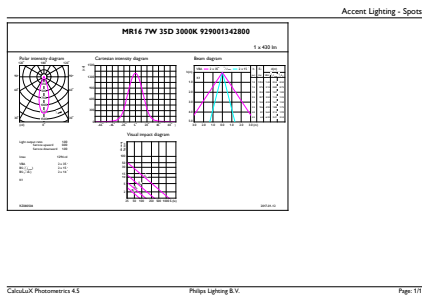
## Dimensional drawing



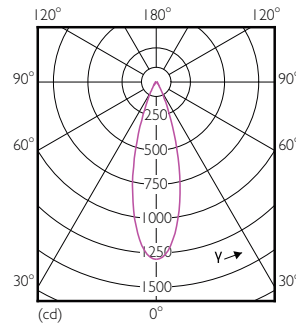
MR16 12V 6.5-42W 35D 3000K GU5.3 ND

Product	D	C
7MR16 ExpertColor Retail F35 930 10/1	51 mm	46 mm

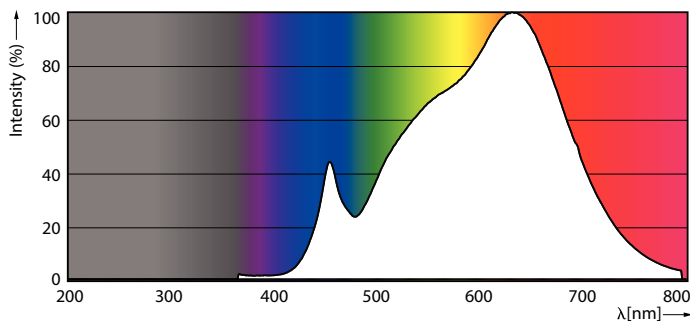
## Photometric data



MR16 12V 6.5-42W 35D 3000K GU5.3 ND



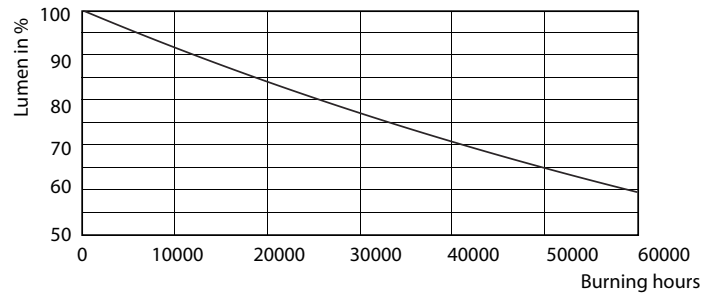
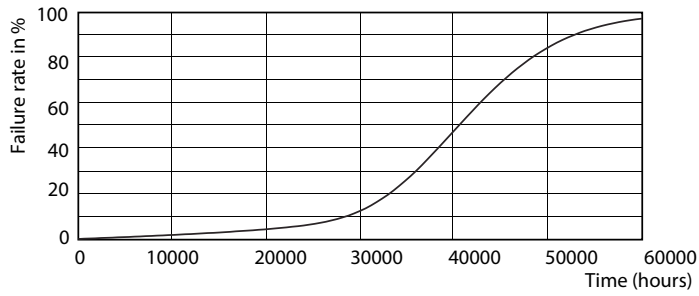
LEDspots MR16 7W 930 430lm 35D



LEDspots MR16 7W 3000K

# MR16/GU10/PAR16 LED

## Lifetime



LEDspots MR16 7W

LEDspots MR16 7W

