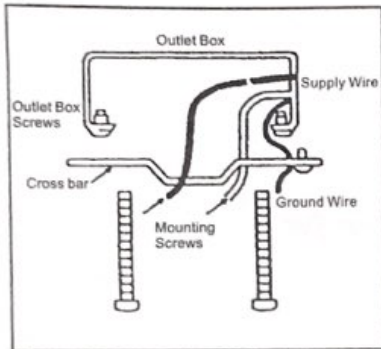
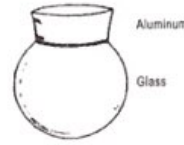


Outdoor Ceiling Mounting Fixtures Installation Instruction



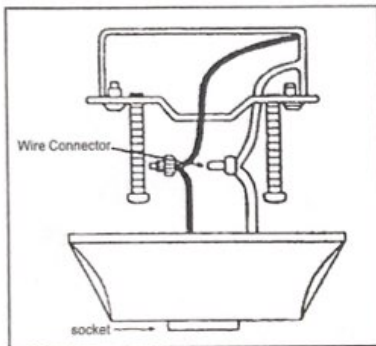
CL-01



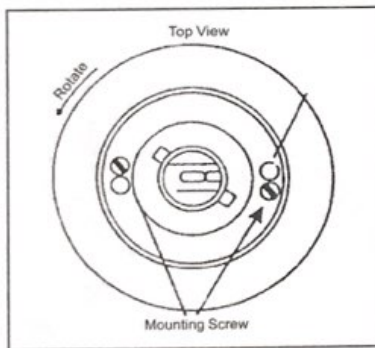
CL-02



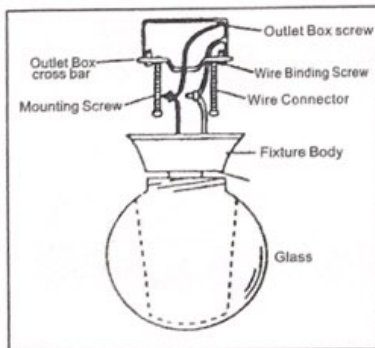
- Remove existing screws from outlet box.
- Using these screws, attach crossbar to outlet box.
- To insert mounting screws.



- Connect the wires : Attach black fixture wire to black supply wire; white fixture wire to white supply wire. Don't mix up !
- Connect fixture ground wire to supply ground wire under a wire binding green screw.



- To attach fixture body to crossbar, grasp firmly, locate screw slots in canopy directly under mounting screw heads.
- Push up and rotate canopy until it locks in place.
- To tighten mounting screws to secure fixture to ceiling.



- "A" type bulb 100W max.
- Screw bulb into fixture socket.
- Place glass in position, tighten by turning clockwise until secure.
- Return to main fuse box and put main power switch on position.

- This fixture must be caulked with an acrylic caulking at base of fixture and mounting surface to provide a water tight seal when fixture is installed.