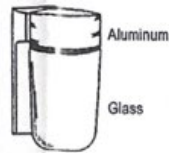
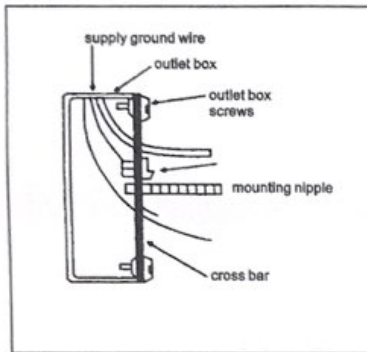
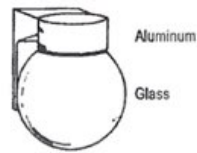


Outdoor Wall Mounting Fixtures Installation Instructions



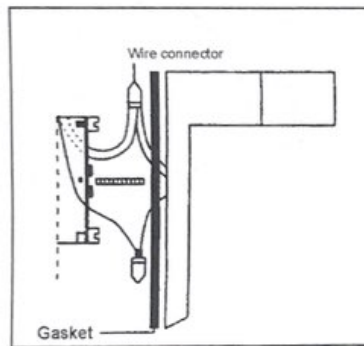
LW-01



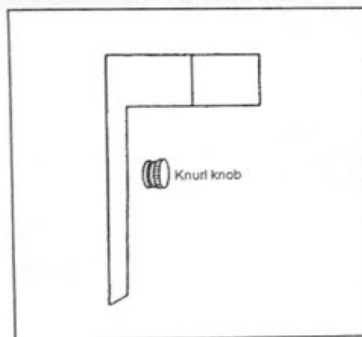
LW-02

 US Listed
For wet
Locations

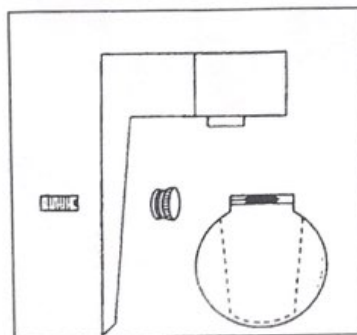
- Remove existing screws from outlet box.
- Assemble 2 mounting screws with crossbar.
- To fasten crossbar to outlet box.



- Connect the wires: Attach black fixture wire to black supply wire; white fixture wire to white supply wire.
- Don't mix them up !**
- When fixture has ground wire, attach under a green wire binding screw or to supply ground wire.



- Assemble fixture over mounting screw.
- Secure with knurl knob and screw bulb into socket.



- "A" type bulb 150W max.
- Place glass in place by turning clockwise until secure.

- This fixture must be caulked with an acrylic caulking at base of fixture and mounting surface to provide a water tight seal when fixture is installed.