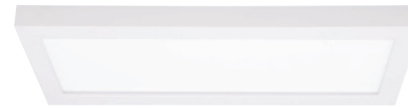


# Safety and Installation Instructions LED Flush mount light

## Models:S9368,S9369

### With Integrated Dimmable Driver



Thank you for purchasing our product. This fixture has been manufactured from components with advanced optoelectronics to ensure high reliability and long life. Before assembling please read this Operation Manual carefully and save in a safe place for future reference. Please note that all electrical connections must be in accordance with local and National Electrical Code standards as well as local building codes. In case you are not familiar with proper wiring connections and building codes, consult a qualified electrician.

### Safety recommendations

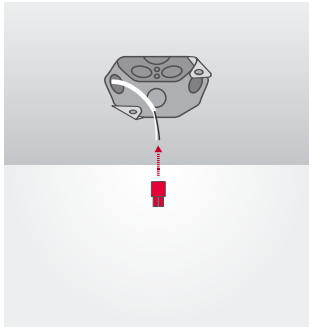
1. RISK OF ELECTRIC SHOCK – THIS PRODUCT MUST BE INSTALLED IN ACCORDANCE WITH APPLICABLE INSTALLATION CODES BY A PERSON FAMILIAR WITH MENTIONED ABOVE CODES AND HAZARDS INVOLVED. DISCONNECT POWER AT CIRCUIT BREAKER OR FUSE BEFORE INSTALLING OR SERVICING.
2. Before use of the product carefully read the whole Operation Manual.
3. THE PRODUCT IS PURPOSED FOR INTERIOR USE ONLY, SUITABLE FOR DAMP LOCATIONS.
4. Protect the product against direct contact with water.
5. Assemble the product only with the use of parts provided and the housing; improper assembly may result in device failing which could damage the product, personal property or cause injury.
6. Assembly shall follow with accessories delivered with the set only.
7. The device is not a toy, KEEP OUT OF REACH OF CHILDREN.

### Specifications:

Models: S9368,S9369  
Operating Voltage:120VAC  
Dimming: Triac  
Power consumption: 16W/24W  
Color Temp.: 2700K/3000K/4000K/5000K  
Life span: 40,000h  
Illumination authorization<5%  
per 10,000h

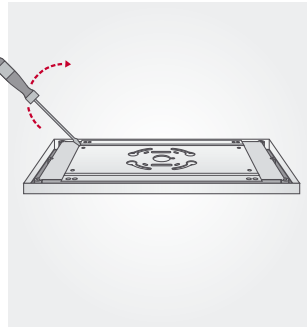


As an ENERGY STAR partner, Satco has determined that this product meets the ENERGY STAR® guidelines for energy efficiency



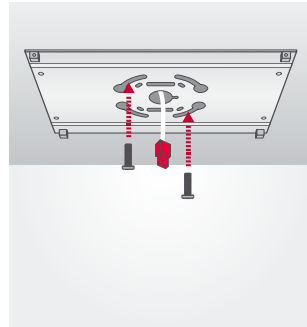
### Step 1

Turn-off /disconnect power at circuit breaker. Attach connector (provided) to AC cable from junction box: L side to Black AC wire N side to White AC wire



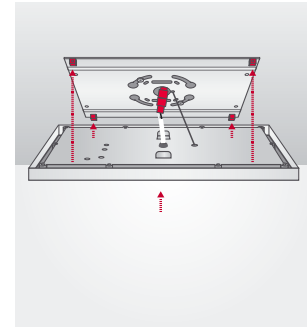
### Step 2

Remove the installation bracket from the back of the fixture by using a screw driver to pry the bracket upward.



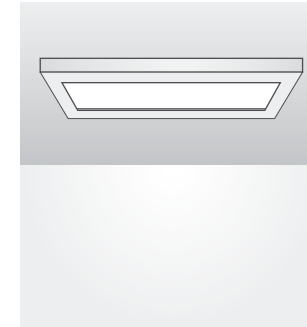
### Step 3

Attach the bracket to junction box using 2 screws (provided) Pull the AC cable with connector through the bracket center hole

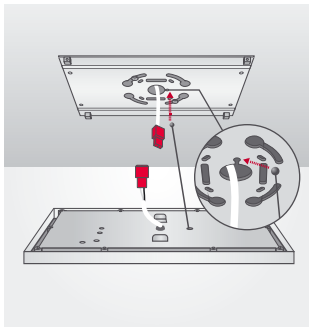


### Step 7

Push and feed all wires up into junction box as you raise the fixture up into place

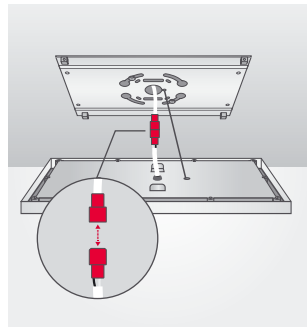


Installed-Congratulations...  
Enjoy the light!



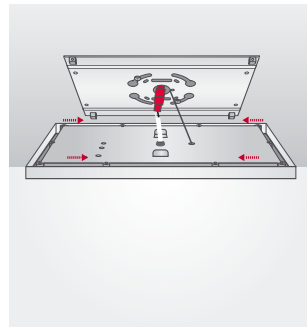
### Step 4

when ready to make the wire connections, first install the safety installation cable from light fixture by pushing into the 'keyhole' in bracket



### Step 5

Next simply 'click' the two sides of the orange wire connector together



### Step 6

Align slots on the edge of fixture with the ball bearings on the mounting bracket and PUSH to lock fixture in place

### Dimming

This product is compatible with LED rated type dimmers available on the market. The dimming performance will depend on kind of dimmer and dimmer settings. Visit Satco.com for an up to date list of compatible dimmers.

### Cleaning

- Clean with a soft or damp cloth. While cleaning with the damp cloth make sure the power is off.
- Do not clean with liquids or abrasives.

### 5 Year limited warranty

The purchased product is covered with a 5 year warranty in respect of any defect in material or workmanship after purchase date.

Satco shall bear no responsibility on account of guarantee, as well as shall bear no liability for any faults, in case of improper operation, use negligence, accident or exposure to natural hazard, or excessive use over the limits specified for the unit, or if any unauthorized alteration or repair followed.