

## OMNI-DIRECTIONAL LED T8 TUBES



Models: S16400, S16401, S16402, S16403, S16404, S16405, S16405, S16406, S16407, S16408, S16409, S16410, S16411, S16412, S16413, S16414, S16415, S16416, S16417, SS16418, S16419, S16420, S16421, S16422, S16423, S16424, S16425, S16426, S16427

### INSTALLATION AND SAFETY INSTRUCTIONS IMPORTANT: Read before installing fixture. Retain for future reference.

#### WARNING:

- **DANGER:** Risk of shock-disconnect power before installation.
- **WARNING: Risk of fire or electric shock.** LED Retrofit Kit installation requires knowledge of luminaire electrical systems. If not qualified, do not attempt installation. Contact a qualified electrician.
- **WARNING:** Product must be installed in accordance with the national electrical code or your local electrical code. If you are not familiar with these codes and requirements, contact a qualified electrician.
- **WARNING:** Install this kit only in luminaries that have the construction features and dimensions shown in the photographs and/or drawing and where the input rating of the retrofit kit does not exceed the input rating of the luminaire.
- **WARNING:** To prevent wiring damage or abrasion, do not expose wiring to edges of sheet metal or other sharp objects. Do not make or alter any open holes in any enclosure of wiring or electrical components during kit installation.
- **WARNING:** To avoid potential fire or shock hazard, do not use this retrofit kit in luminaries employing shunted bi-pin lampholders. NOTE: Shunted lamp holders are found only in fluorescent luminaries with instant-start ballasts. Instant-start ballasts can be identified by the words "Instant Start" or "I.S." marked on the ballast. This designation may be in the form of a statement pertaining to the ballast itself, or may be combined with the marking for the lamps with which the ballast is intended to be used, for example F40T 12/IS, for more information contact the LED luminaire retrofit kit manufacturer.

Installers should not disconnect the existing wire from lampholder terminals to make new connections at lampholder terminals. Instead installers should cut existing lampholder leads away from the lampholder and make new electrical connections to lampholder lead wires by employing applicable connectors.

- **WARNING:** Luminaire wiring and electrical parts may be damaged when installing retrofit kit hardware. Check for enclosed wiring and components.
- **WARNING:** Check the existing wiring for damage before installing upgrade kit. Do not install if existing wires are damaged.

This retrofit kit is accepted as a component of a luminaire where the suitability of the combination shall be determined by authorities having jurisdiction.

- "This luminaire has been modified and can no longer operate the originally intended lamp," shall be marked on the retrofit luminaire where readily visible by the user during normal maintenance including lamping.
- Do not use with dimmers.
- Suitable for damp locations. Suitable for use in enclosed luminaries.
- This device is not intended for use with emergency exits.
- This device complies with Part 15 of the FCC rules. Operation is subject to the following two conditions:  
(1) This device may not cause harmful interference, and  
(2) This device must accept any interference received, including interference that may cause undesired operation.

**Installation instructions on back.**

## INSTALLATION:

**STEP 1:** Make sure the circuit breaker that supplies the power to the fixture is turned OFF.

**STEP 2:** Remove lens or diffuser cover (if applicable) and existing fluorescent lamps.

**STEP 3:** Open/Remove ballast wiring compartment cover.

**STEP 4:** Identify the Line and Neutral wires running from the breaker box to the ballast and confirm the power is off using a voltmeter.

**STEP 5:** Cut all wires connected to the ballast, and remove ballast (and starter if present). Dispose of ballast and fluorescent lamps in accordance with government regulations in your area.

**STEP 6:** Ensure that the fixture contains R17d lamp holders.

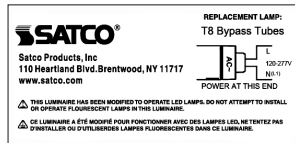
**STEP 7:** These T8 LED lamps are designed for single ended wiring only (**Figure 1**). When installing, confirm only the input end of the lamp is powered, and securely connected to the powered R17 lamp holders (120V-277V).

**STEP 8:** Make sure all sockets are replaced and wired according to the appropriate wiring diagram (**Figures 2 – 5**).

**STEP 9:** Reinstall the ballast cover to hide all wires.

**STEP 10:** Install your new single ended LED T8 replacement lamps.

**STEP 11:** Apply relamping label on a visible location inside the fixture.

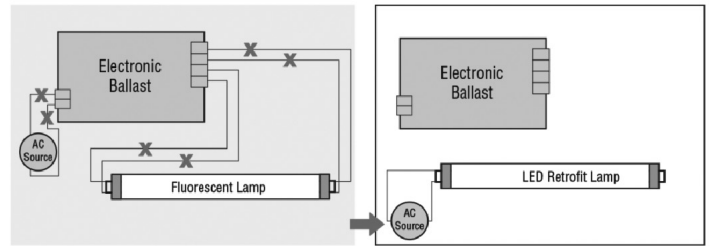


**STEP 12:** Reinstall lens or diffusion cover on the light fixture.

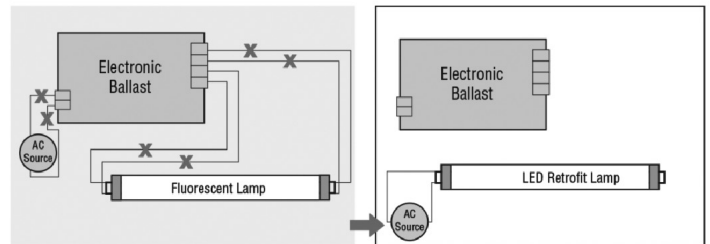
**STEP 13:** Turn power ON at the breaker box.

**STEP 14:** Turn on the lights.

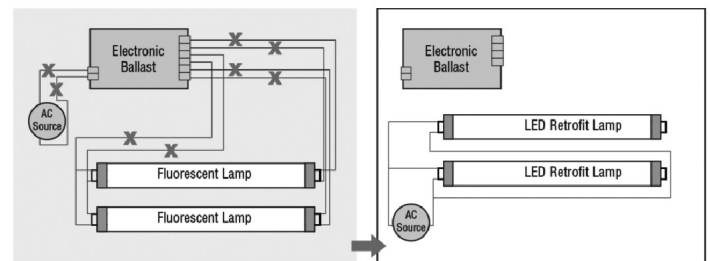
**Figure 1: Single-ended connection (non-shunted sockets).**



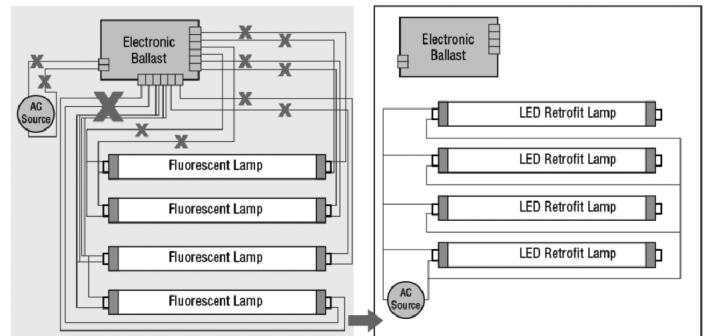
**Figure 2: Retrofit with ONE Lamp.**



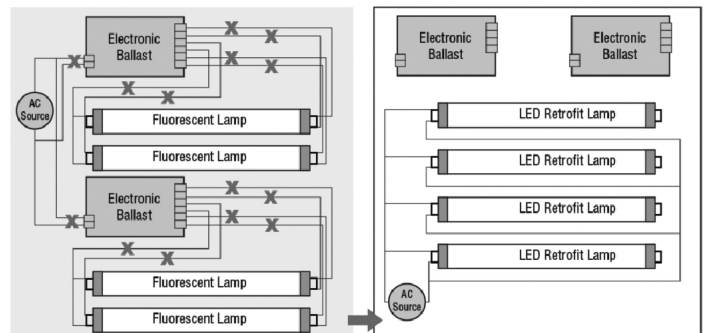
**Figure 3: Retrofit with TWO Lamps.**



**Figure 4: Retrofit with THREE/FOUR Lamps.**



**Figure 5: Retrofit with THREE/FOUR Lamps + TWO Ballasts.**



Satco Products, Inc.  
Brentwood, NY 11717