

PHILIPS UHP A1085447-A (XL-2200)

REPLACEMENT LAMP FOR SONY® LCD PROJECTION TELEVISION

USER INSTRUCTIONS

CAUTION:

- Do not attempt to remove the lamp immediately after use; doing so can cause serious burns. Prior to removing lamp, switch off the power supply to the television and wait approximately 60 minutes or more to allow for complete lamp cooling.
- Avoid touching the glass portion(s) of the lamp with bare hands; fingerprints, dirt and dust may cause early lamp failure and/or image obscurity. It is recommended that gloves be worn when replacing the lamp.
- When transporting the replacement lamp, use the box that is provided to avoid breakage.

WARNING:

- To avoid overheating and/or fire, ensure that the replacement lamp is mounted securely.
- Hg - LAMP CONTAINS MERCURY, Manage in Accord with Disposal Laws. See: www.lamprecycle.org or 1-877-977-0755.

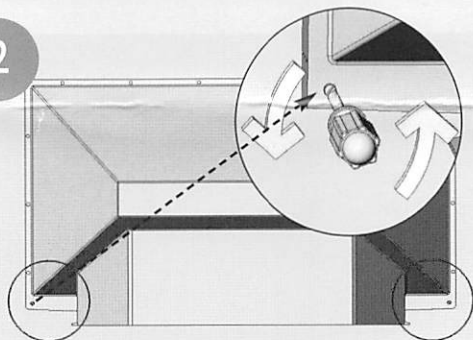
REPLACING THE LAMP

MODELS KDF-55WF655 / KDF-60WF655

1

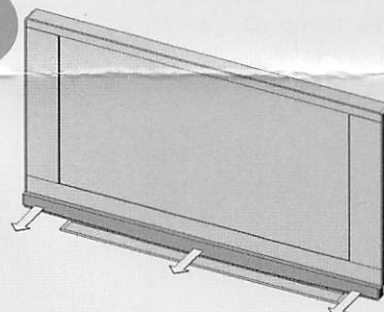
Switch off power to the television and wait about two minutes until the cooling fan stops. Unplug the power cord from the wall outlet. **Allow the television to cool for at least 1 hour.**

2



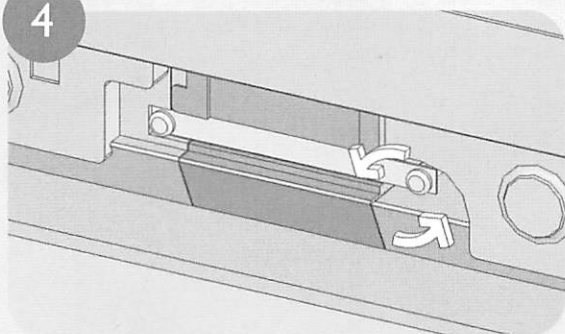
Loosen the screws on the rear side panel.

3



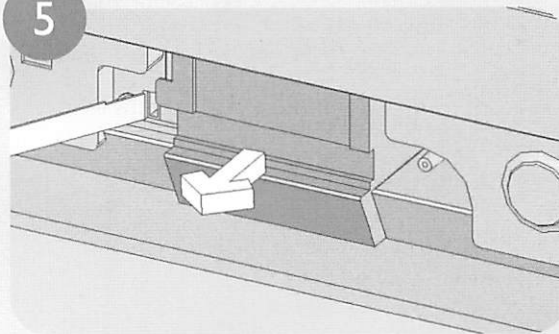
Remove the front panel.

4

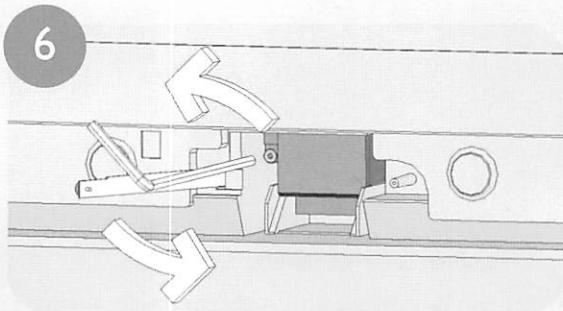


Loosen and remove the right screw on the lamp cover.

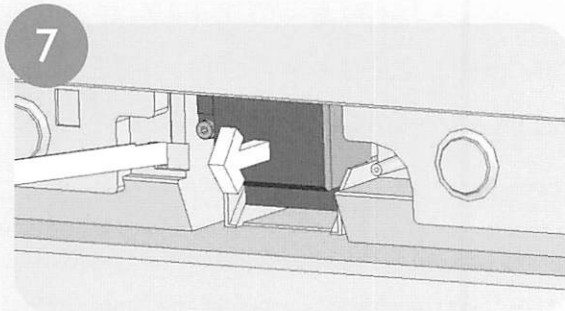
5



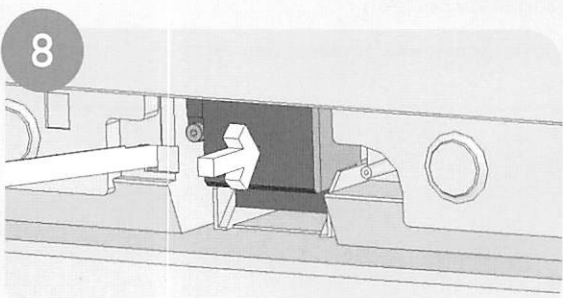
Pull down the lamp cover toward you.



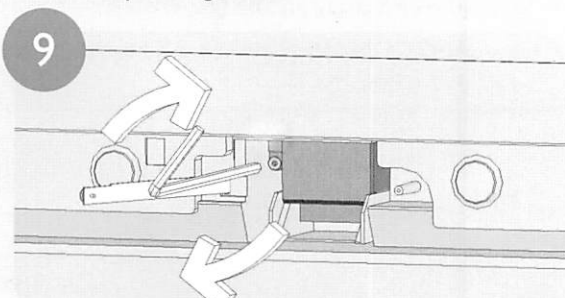
Loosen the screw securing the lamp.



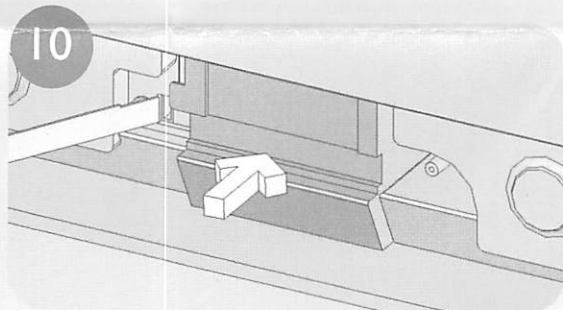
Remove the lamp unit from the television by pulling it out. Dispose of lamp in accordance with disposal laws. **Note:** To avoid injury, exercise caution when removing the lamp unit and do not place your hand in the lamp storage area.



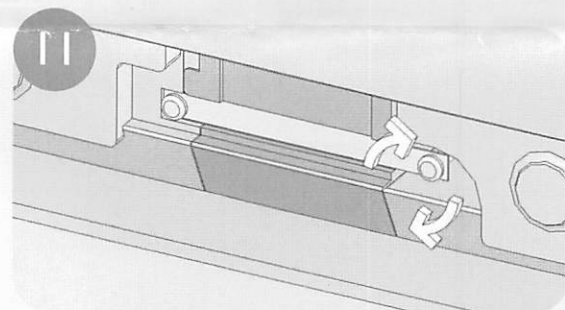
Insert the new lamp unit, paying attention to the orientation and direction of insertion. Ensure that the new unit is firmly seated. **Note:** To avoid shortened lamp life and/or reduced picture quality, do not touch the glass portion of the new lamp.



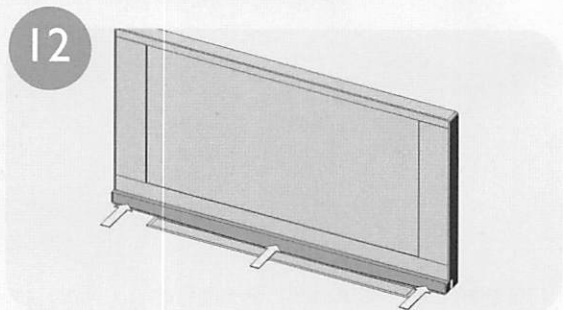
Tighten the screw firmly on the new lamp unit, taking care not to overtighten.



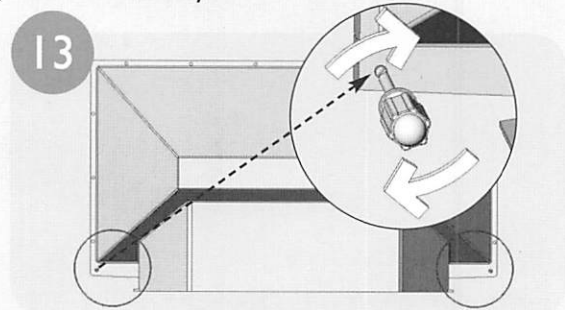
Replace the lamp cover by pushing it back on. **Note:** Ensure that the cover is mounted correctly and securely, otherwise the self-diagnostic function may be triggered and the POWER/STANDBY indicator will flash three times.



After making sure that the hole on the lamp cover aligns with the hole on the lamp unit, reattach the lamp cover by tightening the screw. **Note:** For proper lamp operation, ensure that the screw is inserted correctly.



Replace the front panel by aligning it on the television.



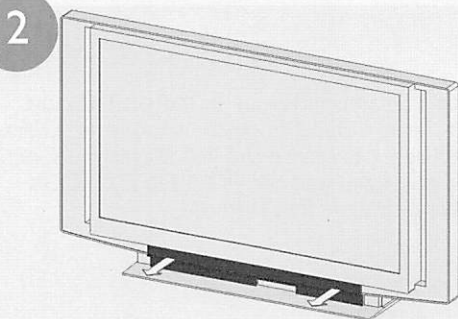
Tighten the screw on the rear side panel. Plug the power cord back into the wall outlet and turn on the power.

Sony® is a registered trademark of Sony Corporation.

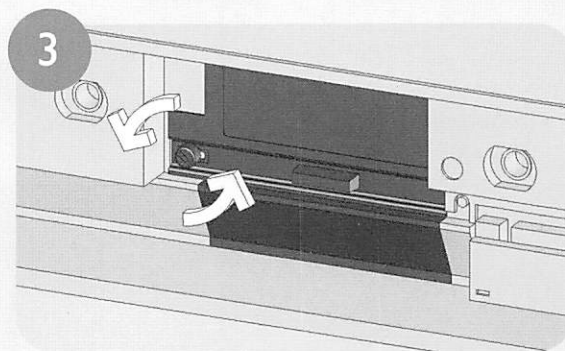
REPLACING THE LAMP

MODELS KDF-55XS955 / KDF-60XS955

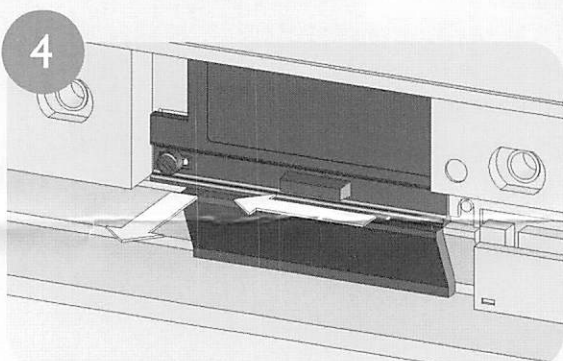
1 Switch off power to the television and wait about two minutes until the cooling fan stops. Unplug the power cord from the wall outlet. **Allow the television to cool for at least 1 hour.**



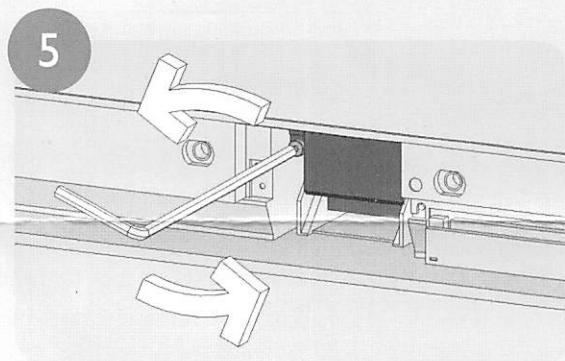
Remove the front panel.



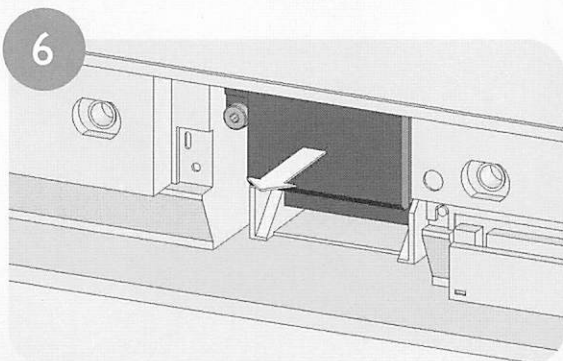
Loosen and remove the left screw on the lamp cover.



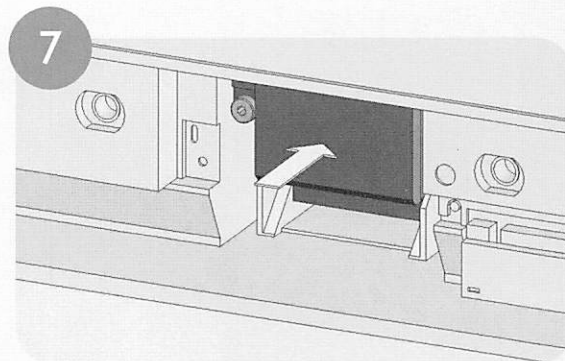
Slide the knob to the left and remove the lamp cover.



Loosen the screw securing the lamp.

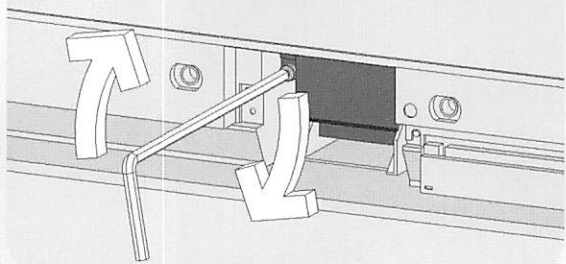


Remove the lamp unit from the television by pulling it out. Dispose of lamp in accordance with disposal laws. **Note:** To avoid injury, exercise caution when removing the lamp unit and do not place your hand in the lamp storage area.



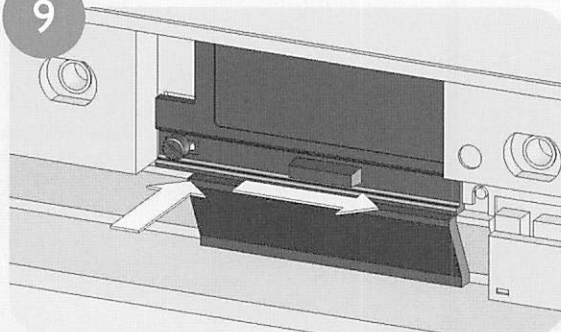
Insert the new lamp unit, paying attention to the orientation and direction of insertion. Ensure that the new unit is firmly seated. **Note:** To avoid shortened lamp life and/or reduced picture quality, do not touch the glass portion of the new lamp.

8



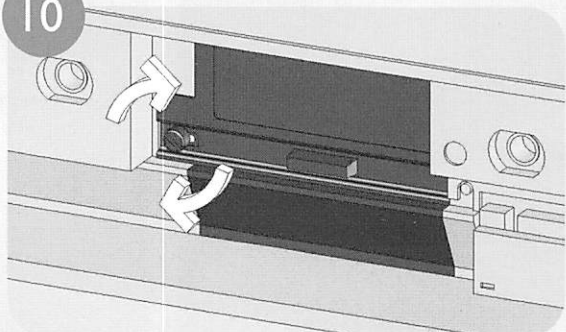
Tighten the screw firmly on the new lamp unit, taking care not to overtighten.

9



Replace the lamp cover by pushing it back on.
Note: Ensure that the cover is mounted correctly and securely, otherwise the self-diagnostic function may be triggered and the POWER/STANDBY indicator will flash three times.

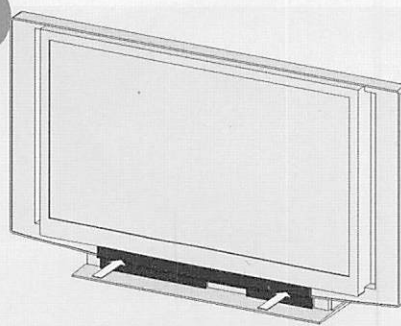
10



After making sure that the hole on the lamp cover aligns with the hole on the lamp unit, reattach the lamp cover by tightening the screw.

Note: For proper lamp operation, ensure that the screw is inserted correctly.

11



Replace the front panel by aligning it on the television. Plug the power cord back into the wall outlet and turn on the power.