

# PHILIPS UHP 260962, 265103, 265103R

## REPLACEMENT LAMP FOR RCA® DLP HDTV

### USER INSTRUCTIONS

#### CAUTION:

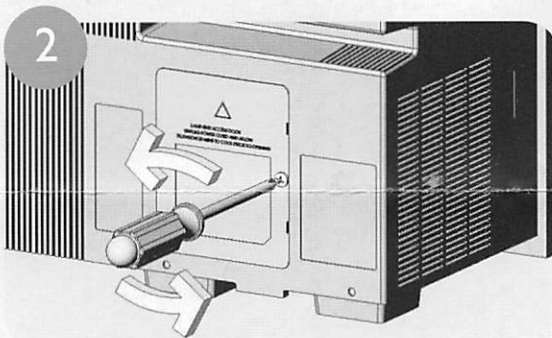
- Do not attempt to remove the lamp immediately after use; doing so can cause serious burns. Prior to removing lamp, switch off the power supply to the television and wait approximately 60 minutes or more to allow for complete lamp cooling.
- Avoid touching the glass portion(s) of the lamp with bare hands; fingerprints, dirt and dust may cause early lamp failure and/or image obscurity. It is recommended that gloves be worn when replacing the lamp.
- When transporting the replacement lamp, use the box that is provided to avoid breakage.

#### WARNING:

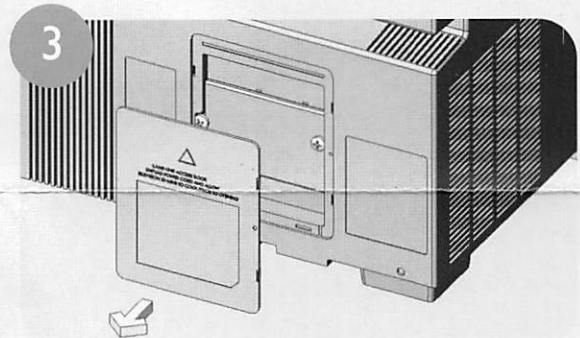
- To avoid overheating and/or fire, ensure that the replacement lamp is mounted securely.
- Hg - LAMP CONTAINS MERCURY, Manage in Accord with Disposal Laws. See: [www.lamprecycle.org](http://www.lamprecycle.org) or 1-877-977-0755.

### REPLACING THE LAMP

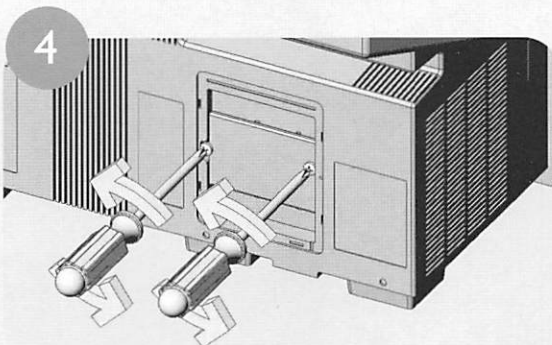
- 1** Switch off power to the television. Unplug the power cord from the wall outlet and from the back of the television. **Allow the television to cool for at least 1 hour.**



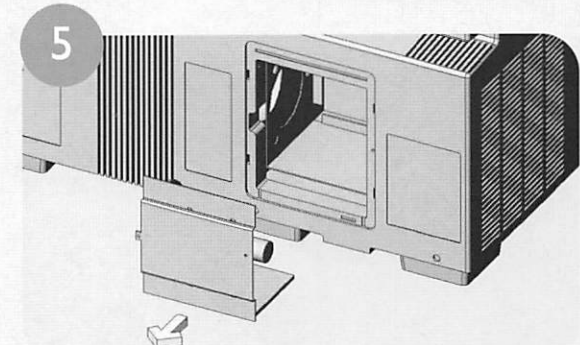
Locate the lamp unit access door and review the listed precautions. Loosen (but do not remove) the screw located on the door.



Press the catch tabs to remove the entire lamp access door. One catch tab is located above the loosened screw, the other is below. Remove the door and place to the side.



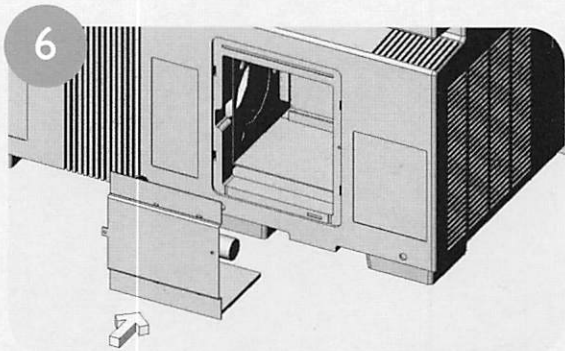
Using a screwdriver, loosen (but do not remove) the two screws on the lamp unit.



Remove the lamp unit from the television by grasping the handles and pulling straight out. Slowly remove the entire lamp assembly unit from the television. Dispose of lamp in accordance with disposal laws.

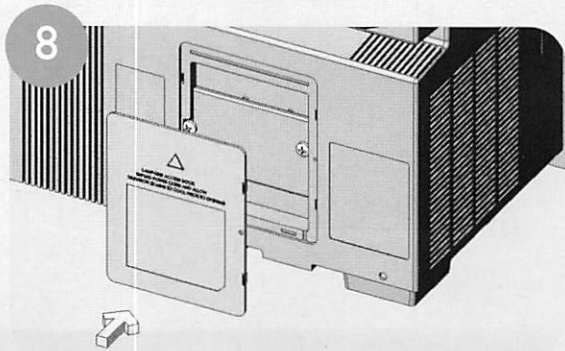
**Note:** To avoid injury, exercise caution when removing the lamp unit and do not place your hand in the lamp storage area.

# PHILIPS



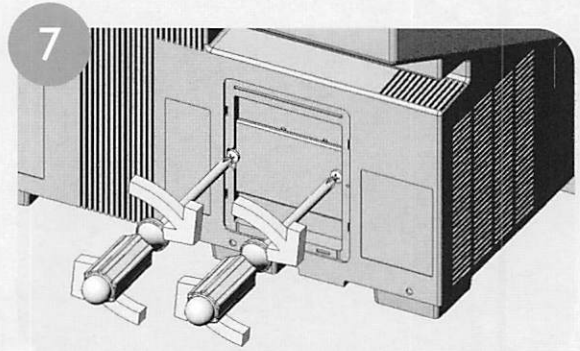
Insert the new lamp unit, paying attention to the orientation and direction of insertion. Ensure that the new unit is firmly seated.

**Note:** To avoid shortened lamp life and/or reduced picture quality, do not touch the glass portion of the new lamp.



Replace the lamp access door. First, insert the catch tabs into the slots on the left side of the lamp access compartment. Press the door until it is fully closed and the latches are engaged. Tighten the screw using a screwdriver.

[**Note:** Ensure that the lamp access door is attached securely. If not, the protective circuit will be activated and the power will not turn on.]



Tighten the two screws firmly on the new lamp unit, taking care not to overtighten.



Plug the power cord into the back of the television first, then back into the wall or outlet strip. Turn on the television.