

## Replacing Philips 915B403001 lamp on Mitsubishi DLP TV series C9, 737, 837



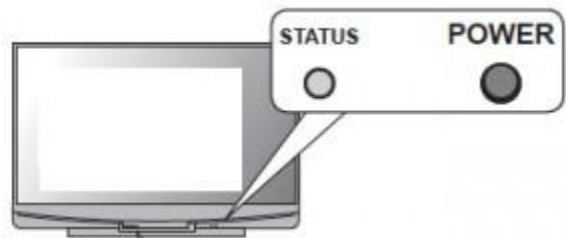
Mitsubishi WD-82837 DLP TV

### Step-by-Step Instructions for replacing the [Mitsubishi 915B403001 Lamp](#)

When the picture on your Mitsubishi starts to dim it's time to replace the lamp. The **Lamp Indicator** will also turn red. You'll need to purchase a [Mitsubishi 915B403001](#) lamp replacement.

If you have a Mitsubishi series *WD-60C9 /WD-65C9 /WD-73C9 / WD-60737 / WD-65737 / WD-73737 / WD-82737 / WD-65837 / WD-73837 / WD-82837* the **Lamp Indicator** will be found on the front panel just left of the Power button.

When the TV is operating normally, this indicator will not be lit. When it turns RED, the [Mitsubishi 915B403001](#) has reached its end of life and must be replaced immediately; the TV will not operate with a burnt out lamp since this is the TV's only light source.



The life of the [Mitsubishi 915B403001](#) lamp can vary depending on the selected lamp mode and how much the TV is used. The original lamp is guaranteed from one year from the date of original purchase.

### Before Installation

Be sure to purchase a genuine [Mitsubishi 915B403001](#) Lamp Cartridge (this includes the housing as well as the bulb) either directly from the manufacturer or from an authorized dealer. Cheaper models may damage your set since these are often created with counterfeit, inferior parts that will not fit or perform properly. Your warranty may also be void if you install a lamp bought from an unauthorized source.

The [Mitsubishi 915B403001 Lamp](#) is the recommend model for all Mitsubishi series *WD-60C9 /WD-65C9 /WD-73C9 / WD-60737 / WD-65737 / WD-73737 / WD-82737 / WD-65837 / WD-73837 / WD-82837* televisions.

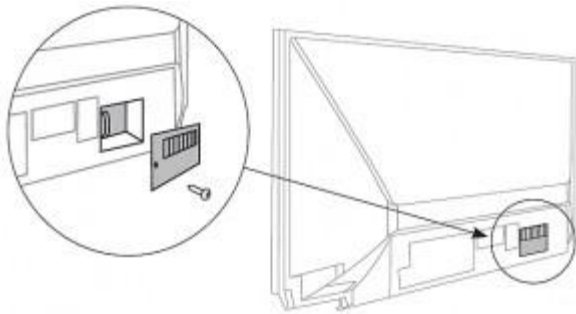
For an environmentally friendly and more economical option, you can also just purchase the bare lamp that allows you to re-use the existing housing by swapping the old bulb for the new one.

### Replacing the [Mitsubishi 915B403001 Lamp](#)

**CAUTION:** Burn Danger! Allow the T.V. to cool for one hour before replacing the lamp. Avoid touching the lamp or lamp cartridge. Use the lamp handles only to remove the lamp.

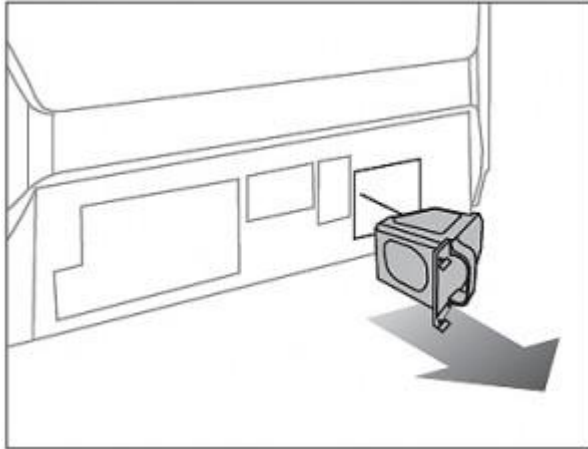
**HELPFUL TIP:** Use a pair of rubber gloves during installation. The [Mitsubishi 915B403001 Lamp](#) lamps does contain mercury, which may end up on your skin. Don't touch the lamp glass with bare hands as the oil from your fingers may cause premature lamp failure.

### **PART ONE: Removing the Old [Mitsubishi 915B403001 Lamp Cartridge](#)**



- Turn off the TV and allow it to cool for one hour.
- After TV has cooled, remove the cover of the lamp compartment, located at the back of the TV. Using a #2 Philips screwdriver, loosen the screw holding the cover in place. Put the cover to one side.
- Loosen the two screws on either side of the [Mitsubishi 915B403001](#) (they are the shiniest screws). These screws can only be loosened and not removed completely from the lamp cartridge.
- Take out the bag supplied with the new lamp and open it.
- Gently grasp the handle on the lamp cartridge and pull the lamp straight out. **DO NOT TILT**, as there may be glass fragments that will fall inside the TV. If this happens, carefully pick up the larger shards wearing rubber gloves. Take a cloth just damp enough to pick up the small shreds. It's important to pick up the broken lamps since this **lamp does contain mercury**. Read more about proper clean-up from the [EPA](#).
- Put the old lamp gently into the opened bag. Close the bag.

## **PART TWO: Installing the New [Mitsubishi 915B403001 Lamp](#)**



- Using the lamp handle, carefully remove the new [Mitsubishi 915B403001 Lamp](#) cartridge from the bag. **DON'T TOUCH** the glass parts of the lamp. Do a final wipe with a clean, non-abrasive, lint-free cloth to remove any possible dust. Insert the new cartridge into the TV without tilting the lamp. The lamp cartridge should slide in easily.
- Gently tighten the two shiny screws. **AVOID OVER TIGHTENING** as this will trigger a warning light and your TV will not turn on.

- Replace the plastic cover and tighten the one screw. Again, avoid over tightening.
- If you haven't used gloves while changing the cartridge: **WASH YOUR HANDS** immediately. If you did use gloves, dispose of them immediately

## **PART THREE: Disposal of the used [Mitsubishi 915B403001 lamp cartridge](#)**

- The used [Mitsubishi 915B403001 Lamp](#) is e-waste because of the mercury inside the bulb. **DON'T THROW IT AWAY** into the common garbage. Recycle correctly according to regulations in your area. These lamps contain mercury and should not be included in regular garbage.
- Contact your local recycling center or [Recycle Your Lamp.org](http://RecycleYourLamp.org) for help in recycling your old lamp.

## **PART FOUR: Setting the lamp mode**

You can prolong the life of your [Mitsubishi 915B403001 Lamp](#) by changing the lamp mode.



**Initial**

- Using the TV remote press **MENU**.
- Use the down arrow key to scroll to the **INITIAL** Menu. Press the **ENTER** key.



- Use the right arrow key to move into the submenu and scroll across to choose the **LAMP** option.
- Use the down to scroll to one of the two options of **STANDARD** or **BRIGHT**. Press the **ENTER** key.
- The **STANDARD** option is suitable for most viewing conditions and since it uses a lower wattage can prolong the life of your lamp.

- **BRIGHT** mode is suitable for brightly lit rooms but uses more wattage and may reduce the life of your lamp. Using this mode makes the TV hotter and the fan may turn on more frequently. You may also notice more noise on the TV.

**Mitsubishi TVs Compatible with the [Mitsubishi 915B403001 Lamp](#)**

**C9 Series:** WD-60C9, WD-65C9, WD-73C9

**737 Series:** WD-60737, WD-65737, WD-73737, WD-82737

**837 Series:** WD-65837, WD-73837, WD-82837

**C Series:** WD-60C8, WD-65C8, WD-73C8

**735 Series:** WD-60735, WD-65735, WD-73735736

**736 Series:** WD-65736, WD-73736

**835 Series:** WD-65835, WD-73835