

RSN1GPH20120

Ballast Type: Electronic
Input Voltage: 120VAC ±10%
Input Frequency: 50-60Hz

Starting Method: Preheat Rapid
Lamp Connection: Series

Unit Color: White
Unit Weight: 0.33 lbs.

ELECTRICAL SPECIFICATIONS:

Line Voltage (V)	Lamp Type	Approx. Lamp Length	Lamp Watts	No. of Lamps	Arc Voltage (V)	Lamp Current (mA)	Line Current (A)	Input Power (W)
120	GPH212T5	8"	10	1	24	425	0.21	13
120	GPH229T5	9"	11	1	26	425	0.22	13
120	GPH262T5	10"	13	1	31	425	0.23	14
120	GPH287T5	11"	14	1	33	425	0.24	15
120	GPH305T5	12"	15	1	35	425	0.24	15
120	GPH330T5	13"	16	1	38	425	0.25	16
120	GU7610T5	7" U	16	1	38	425	0.27	17
120	GU2210T5	7" U	16	1	38	425	0.27	17
120	GPH357T5	14"	17	1	40	425	0.27	17
120	GPH383T5	15"	18	1	42	425	0.28	18
120	TUV18WPL-L	9"	18	1	42	425	0.31	20
120	GPH406T5	16"	20	1	47	425	0.32	21
120	G15T8	18"	15	1	35	425	0.35	18
120	G20T10	24"	20	1	47	425	0.38	22

PERFORMANCE:

- Max Current THD = ≤ 150%
- Current Crest Factor = ≤ 1.7
- Normal Power Factor = ≥ 0.50
- Normal Ballast Factor
- Encased & Potted
- Sound Rated A
- Meets FCC Part 18 (Class B) for EMI
- Meets ANSI Standard C62.41 for Transient Protection
- Meets ANSI Standard C82.11 for Ballast Requirements

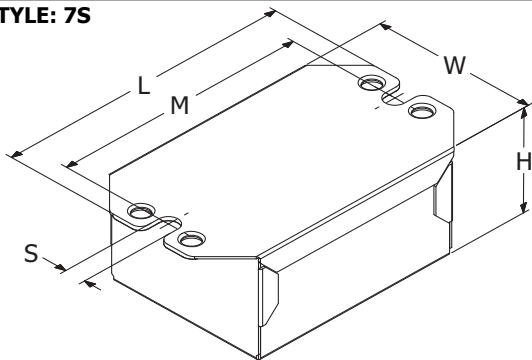
APPLICATION:

- Maximum Case Temperature: 167°F/75°C
- Maximum Ambient Temperature: 104°F/40°C
- Minimum Starting Temperature: -22°F/-30°C
- Lamp Starts: > 15,000 Starts
- Remote Mounting: 18 ft. Max. Lead Length, 18AWG

SAFETY/STANDARDS:

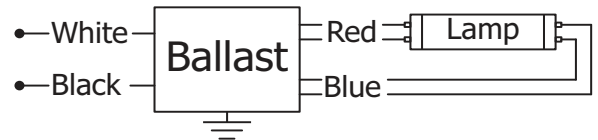
- UL/935 Listed (Class P, Type 1 Outdoor)
- CSA/C22.2 Certified
- No PCB's, Type HL
- Inherent Thermal Protection
- RoHS Compliant

CASE STYLE: 7S



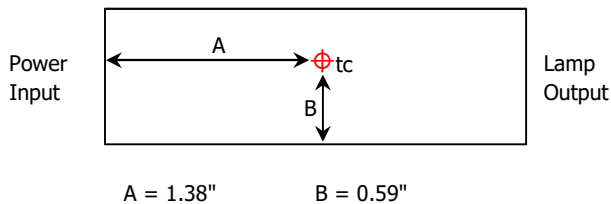
L	W	H	M	S
3	1 13/16	1 1/8	2 3/4	3/16
3.00	1.80	1.13	2.75	0.17
7.62 cm	4.57 cm	2.87 cm	6.99 cm	0.43 cm

WIRING DIAGRAM: 003



- Black: 8"
- White: 8"
- Red: (2) 8"
- Blue: (2) 8"
- Tolerance: +1.00, -0.50"
- Strip: 0.375" ± 0.060

HOT SPOT LOCATION: (Top Label Side of Ballast)



WARRANTY:

Robertson Worldwide warrants to the purchaser that this product will be free from defects in material or workmanship for a period of 2 years from date of manufacture when properly installed and under normal condition of use. For more information on Robertson Worldwide ballasts, visit www.robertsonlighting.com Specifications subject to change without notice.