

RPZ117V230

Ballast Type:	Electronic
Input Voltage:	230Vac ±10%
Input Frequency:	47-63Hz

Starting Method:	Preheat Rapid Start
Lamp Connection:	Series

Unit Color:	Galvanneal
Unit Weight:	0.33 lbs.

ELECTRICAL SPECIFICATIONS:

Line Voltage (V)	No. of Lamps	Lamp Type	Typical Lamp Watts (W)	Lamp Voltage (V)	Lamp Current (mA)	Input Current (A)	Input Power (W)	Input Current THD (%)	Lamp Current Crest Factor	Electrical Efficiency	
207	1	TUV PL-S 13W/2P	13	49	238	0.114	13.2	120	1.72	0.89	
230				47	276	0.118	14.9	124	1.70	0.87	
253				45	312	0.121	16.5	128	1.68	0.85	
207	1	HNS S 13 W GX23 (GCF13DS/G23/SE/OF)	13	49	238	0.114	13.2	120	1.72	0.89	
230				47	276	0.118	14.9	124	1.70	0.87	
253				45	312	0.121	16.5	128	1.68	0.85	
207	1	G15T8/OF	15								
230											
253											
207	1	TUV 15W - G15T8	15								
230											
253											
207	1	TUV T8 F17 – G17T8	17	73	190	0.131	15.8	111	1.65	0.91	
230				70	232	0.140	18.4	114	1.63	0.90	
253				68	269	0.146	20.9	118	1.61	0.89	

PERFORMANCE:

- Power Factor = >0.50
- Encased & Potted
- Sound Rated A
- Internal Surge Protection
- Meets FCC Part 18 (Class B) for EMI and RFI Consumer Limits
- Meets ANSI Standard C62.41 for Transient Protection
- Meets ANSI Standard C82.11 for Ballast Requirements

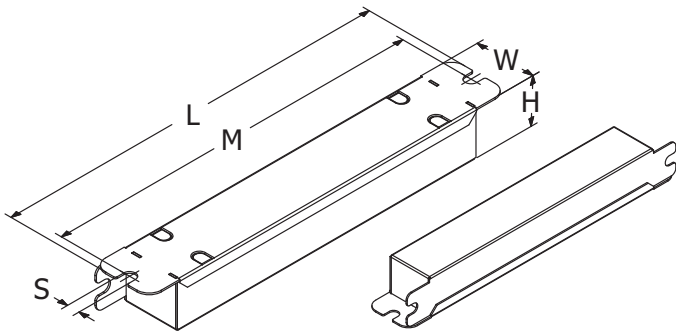
APPLICATION:

- Maximum Case Temperature: 167°F/75°C
- Maximum Ambient Temperature: 122°F/50°C
- Minimum Starting Temperature: 23°F/-5°C
- Remote Mounting: 18 ft. Max. Lead Length, 18AWG

SAFETY/STANDARDS:

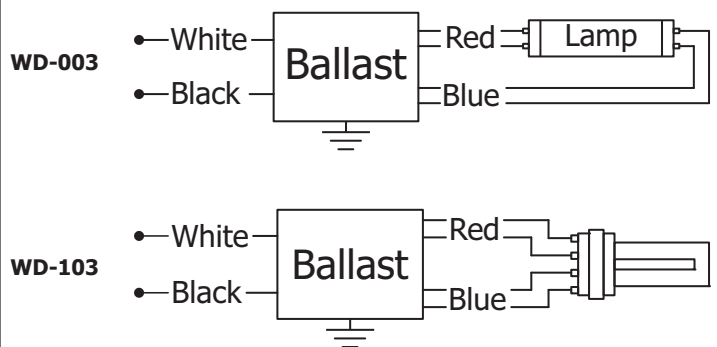
- UL/935 Listed (Class P, Type 1 Outdoor)
- cUL (CSA/C22.2 Certified)
- No PCBs, Type HL, Type CC
- Inherent Thermal Protection
- RoHS Compliant

CASE STYLE: CS-3C



L	W	H	M	S
5-29/32	7/8	3/4	5-5/8	3/16
5.91	0.91	0.75	5.63	0.19
15.00 cm	2.30 cm	1.91 cm	14.29 cm	0.48 cm

WIRING DIAGRAM:



- Black: 12"
- White: 12"
- Tolerance: +1.00, -0.50"
- Strip: 0.375" ± 0.060"
- Red: (2) 12"
- Blue: (2) 12"
- Tolerance: +1.00, -0.50"
- Strip: 0.375" ± 0.060"

WARRANTY:

Robertson Worldwide warrants to the purchaser that this product will be free from defects in material or workmanship for a period of 2 years from date of manufacture when properly installed and under normal condition of use. Specifications subject to change without notice.

For more information on Robertson Worldwide products, visit www.RobertsonLighting.com