



MR16/GU10/PAR16 LED

7MR16 ExpertColor F25 930 D 10/1

Philips MR16 Dimmable LED Lamps provide ambient level light to illuminate hard to maintain applications. Increased transformer compatibility allows for operation on a wider range of transformers. Available in dimmable and non-dimmable versions, these lamps are ideal for track and open recessed fixtures in retail, hospitality and residential spaces.

Product data

General Information	
Base	GU5.3 [GU5.3]
Nominal Lifetime (Nom)	40000 h
Switching Cycle	50000X
Technical Type	7-42W
Light Technical	
Color Code	930 [CCT of 3000K]
Beam Angle (Nom)	25°
Initial lumen (Nom)	460 lm
Luminous Flux (Rated) (Nom)	460 lm
Luminous Intensity (Nom)	2350 cd
Color Designation	White (WH)
Rated Beam Angle	25°
Correlated Color Temperature (Nom)	3000 K
Luminous Efficacy (rated) (Nom)	65.71 lm/W
Color Consistency	<3
Color Rendering Index (Nom)	95
LLMF At End Of Nominal Lifetime (Nom)	70 %

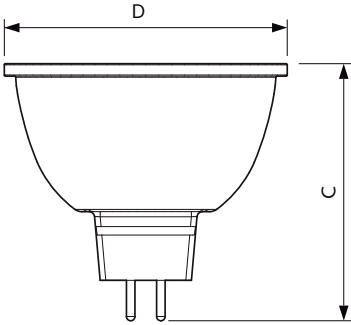
Operating and Electrical	
Power (Rated) (Nom)	7 W
Lamp Current (Nom)	800 mA
Starting Time (Nom)	0.5 s
Warm Up Time to 60% Light (Nom)	0.5 s
Power Factor (Nom)	0.7
Voltage (Nom)	12 V
Temperature	
T-Case Maximum (Nom)	92 °C
Controls and Dimming	
Dimmable	Yes
Approval and Application	
Suitable For Accent Lighting	Yes
Product Data	
Order product name	7MR16 ExpertColor F25 930 D 10/1
EAN/UPC - Product	046677470173

MR16/GU10/PAR16 LED

Order code	470179
Numerator - Quantity Per Pack	1
Numerator - Packs per outer box	10
Material Nr. (12NC)	929001342104

Net Weight (Piece)	0.034 kg
--------------------	----------

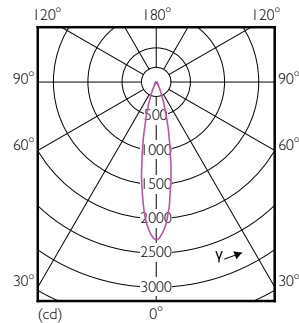
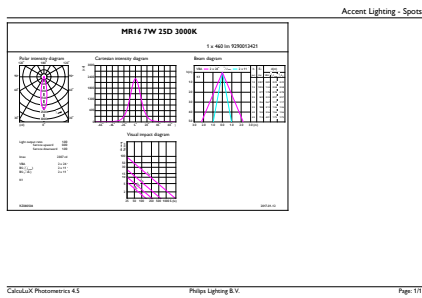
Dimensional drawing



MR16 12V 6.5-42W 450lm 25D 3000K GU5.3 D

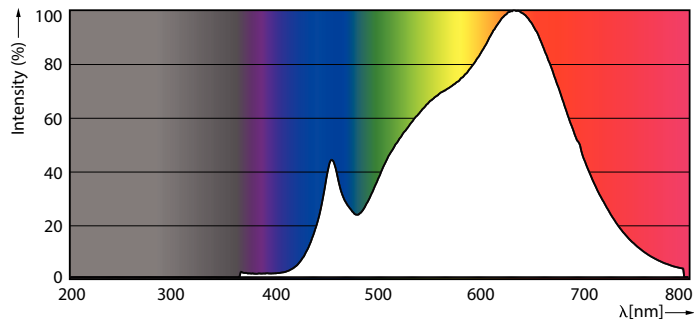
Product	D	C
7MR16 ExpertColor F25 930 D 10/1	51 mm	46 mm

Photometric data



MR16 12V 6.5-42W 450lm 25D 3000K GU5.3 D

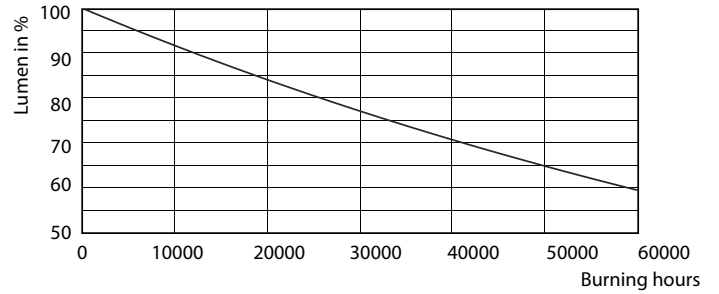
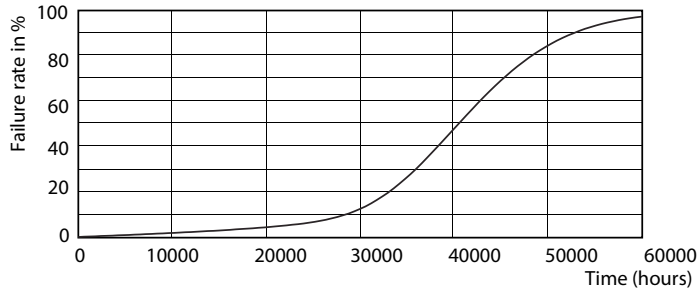
LEDspots MR16 7W 930 460lm 25D



LEDspots MR16 7W 3000K

MR16/GU10/PAR16 LED

Lifetime



LEDspots MR16 7W

LEDspots MR16 7W

