

PSP2GPH25HOIVDW

Ballast Type: Electronic
Input Voltage: 100-277Vac ±10%
Input Frequency: 50-60Hz

Starting Method: Program
Lamp Connection: Series

Unit Color: White
Unit Weight: 0.90 lbs.

ELECTRICAL SPECIFICATIONS:

Line Voltage (V)	Lamp Type	Lamp Wattage (W)	Approx. Lamp Length (in)	No. of Lamps	Arc Voltage (V)	Lamp Current (mA)	Line Current (mA)	Input Power (W)	Electrical Efficiency
100	HNS 25W G13 (G25T8/OF)	25	17	2	46	600	687	69	0.77
120							573	69	0.78
240							295	70	0.79
277							258	71	0.78
100	HNS 25W G13 (G25T8/OF)	25	17	1	46	600	400	69	0.77
120							335	69	0.78
240							175	70	0.79
277							155	71	0.78
100	TUV 25W 1SL	25	17	2	48	600	687	69	0.77
120							573	69	0.78
240							295	70	0.79
277							258	71	0.78
100	TUV 25W 1SL	25	17	1	48	600	400	69	0.77
120							335	69	0.78
240							175	70	0.79
277							155	71	0.78
100	DULUX L BL UVA 55W/78	55	35	1	94	550	817	82	0.85
120							685	83	0.86
240							351	84	0.87
277							307	85	0.87
100	GFT55DL/2G11/SE/OF (HNS L 55W 2G11)	55	21	1	101	550	827	83	0.84
120							690	83	0.86
240							352	84	0.87
277							307	85	0.87
100	TUV 60W HO	65	16	1	82	800	801	80	0.82
120							652	79	0.84
240							330	78	0.85
277							291	79	0.84

PERFORMANCE:

- Max Current THD = <12%
- Current Crest Factor = <1.7
- Power Factor = > 0.95
- Encased & Potted
- Sound Rated A
- All-star (EOL) Protection
- Meets FCC Part 18 (Class B) for EMI and RFI Consumer Limits
- Meets CE Requirements (120-240V)
- Meets ANSI Standard C62.41 for Transient Protection
- Meets ANSI Standard C82.11 for Ballast Requirements

APPLICATION:

- Maximum Case Temperature 185°F/85°C
- Maximum Ambient Temperature 140°F/60°C
- Minimum Starting Temperature -22°F/-30°C
- Lamp Starts >50,000 Starts
- Remote Mounting 18 ft. Max. Lead Length, 18AWG

FEATURES:

- Power LED connectors (2.5V)
- Lamp LED connectors (2.5V)

SAFETY/STANDARDS:

- UL/935 Listed (Class P, Type 1 Outdoor)
- cUL (CSA/C22.2 Certified)
- No PCB's, Type HL, Type CC
- Inherent Thermal Protection
- RoHS Compliant

U.S. PATENT NUMBERS:

6,366,032 B1 ; 6,420,838 B1; 5,436,529

WARRANTY:

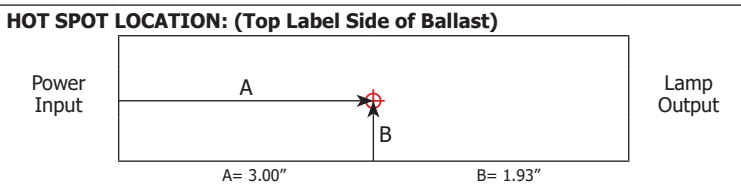
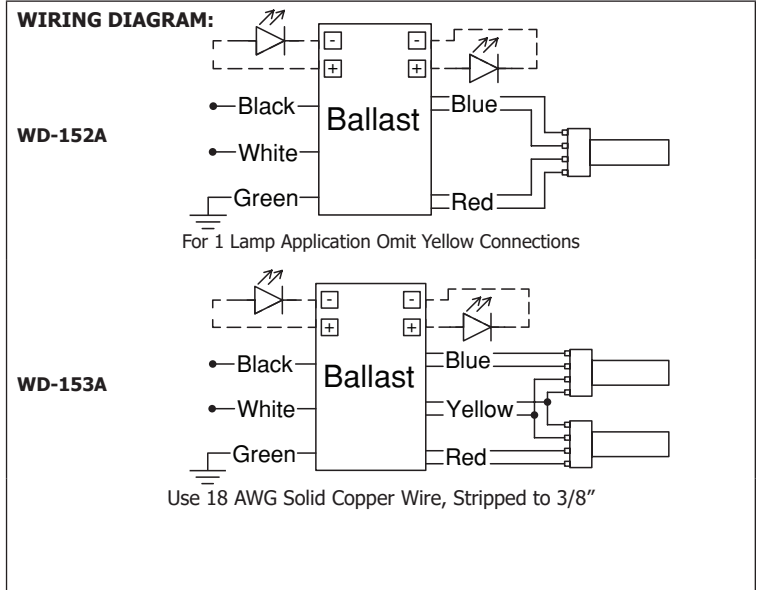
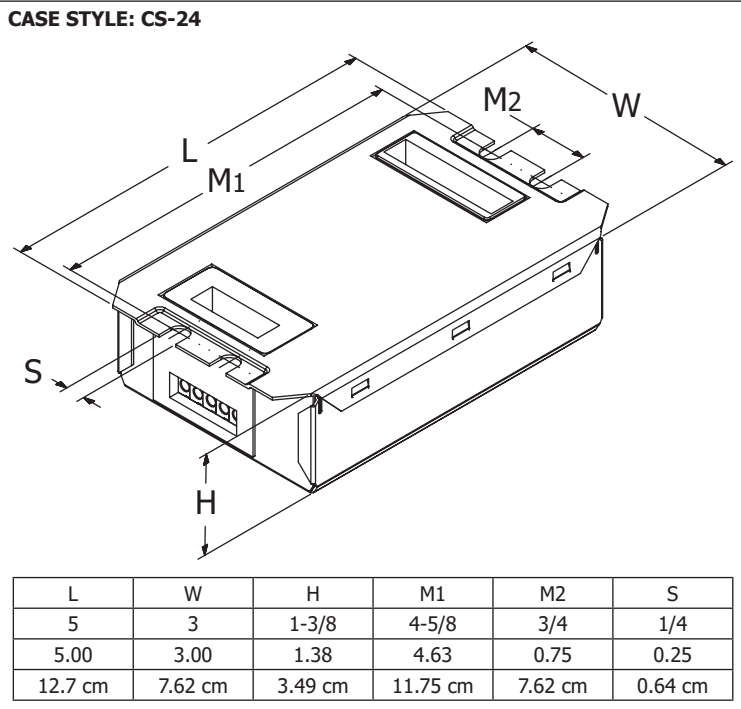
Robertson Worldwide warrants to the purchaser that this product will be free from defects in material or workmanship for a period of 5 years from date of manufacture when properly installed and under normal condition of use. Specifications subject to change without notice.
For more information on Robertson Worldwide products, visit www.RobertsonLighting.com

PSP2GPH25HOIVDW

Ballast Type: Electronic
Input Voltage: 100-277Vac ±10%
Input Frequency: 50-60Hz

Starting Method: Program
Lamp Connection: Series

Unit Color: White
Unit Weight: 0.90 lbs.



LED SPECIFICATIONS:

LED Output	LED Connectors	LED Type	Output Voltage (Vdc)	Output Current (mA)
Power	Gray	2.5V	3.0	2.0
Lamp	Gray	2.5V	3.0	5.0

- Power LED is ON as long as there is AC in, providing true detection of AC power.
 - Lamp LED shows filament current at YELLOW connection.
 - LED will be ON for Single Lamp Application.
 - LED will be ON for Two Lamp Application.
- Note: For two lamp application, ballast will shutdown if one lamp goes out.

WARRANTY:

Robertson Worldwide warrants to the purchaser that this product will be free from defects in material or workmanship for a period of 5 years from date of manufacture when properly installed and under normal condition of use. Specifications subject to change without notice.
For more information on Robertson Worldwide products, visit www.RobertsonLighting.com