



PSM2GPH18MVDW

Ballast Type: Electronic
Input Voltage: 120-277Vac ±10%
Input Frequency: 50-60Hz

Starting Method: Program
Lamp Connection: Series

Unit Color: White
Unit Weight: 0.80 lbs.

ELECTRICAL SPECIFICATIONS:

Line Voltage (V)	Lamp Type	Lamp Wattage (W)	Approx. Lamp Length (in)	No. of Lamps	Arc Voltage (V)	Lamp Current (mA)	Line Current (A)	Input Power (W)	Energy Efficiency
120	GPH212T5	10	8	2	24	425	0.20	22	n/a
277							0.09		
120	GPH212T5	10	8	1	24	425	0.12	13	n/a
277							0.05		
120	GPH287T5	14	11	2	33	425	0.28	30	n/a
277							0.12		
120	GPH287T5	14	11	1	33	425	0.15	16	n/a
277							0.06		
120	GPH357T5	17	14	2	40	425	0.31	34	n/a
277							0.14		
120	GPH357T5	17	14	1	40	425	0.18	20	n/a
277							0.08		
120	GPH406T5	18	16	2	45	425	0.32	37	n/a
277							0.14		
120	GPH406T5	18	16	1	45	425	0.19	22	n/a
277							0.08		
120	GPH463T5	23	18	2	52	425	0.39	46	n/a
277							0.17		
120	GPH463T5	23	18	1	52	425	0.20	23	n/a
277							0.09		
120	GPH508T5	24	20	2	56	425	0.44	52	n/a
277							0.19		
120	GPH508T5	24	20	1	56	425	0.26	30	n/a
277							0.11		
120	GPH711T5	34	28	1	80	425	0.33	38	n/a
277							0.14		
120	GPH810T5	39	32	1	96	425	0.33	39	n/a
277							0.15		
120	GPL18K	18	9	2	42	425	0.40	46	n/a
277							0.17		
120	GPL18K	18	9	1	42	425	0.24	26	n/a
277							0.10		
120	GPL36K	36	16	1	88	425	0.36	42	n/a
277							0.15		
120	TUV11W 4P-SE	11	10	2	26	425	0.23	25	n/a
277							0.10		
120	TUV11W 4P-SE	11	10	1	26	425	0.13	14	n/a
277							0.06		
120	TUV16W 4P-SE	15	13	2	38	425	0.29	31	n/a
277							0.12		
120	TUV16W 4P-SE	15	13	1	38	425	0.16	17	n/a
277							0.07		
120	TUV18WPL-L	18	9	2	42	425	0.39	46	n/a
277							0.17		
120	TUV18WPL-L	18	9	1	42	425	0.24	26	n/a
277							0.10		
120	TUV25W 4P-SE	23	22	2	59	425	0.44	52	n/a
277							0.19		
120	TUV25W 4P-SE	23	22	1	59	425	0.26	30	n/a
277							0.11		
120	TUV36T5-4P-SE	36	33	1	85	425	0.35	41	n/a
277							0.15		
120	TUV36WPL-L	36	16	1	85	425	0.36	42	n/a
277							0.15		

WARRANTY:

Robertson Worldwide warrants to the purchaser that this product will be free from defects in material or workmanship for a period of 5 years from date of manufacture when properly installed and under normal condition of use. Specifications subject to change without notice.
For more information on Robertson Worldwide products, visit www.RobertsonLighting.com

PSM2GPH18MVDW

PERFORMANCE:

- Max Current THD = $\leq 15\%$
- Current Crest Factor = ≤ 1.7
- Power Factor = ≥ 0.90
- Encased & Potted
- Sound Rated A
- All-star (EOL) Protection
- Meets FCC Part 18 (Class B) for EMI and RFI Consumer Limits at 120-240V
- Meets ANSI Standard C62.41 for Transient Protection
- Meets ANSI Standard C82.11 for Ballast Requirements

SAFETY/STANDARDS:

- UL 935 Listed (Class P, Type 1 Outdoor)
- No PCB's, Type HL, Type CC
- Inherent Thermal Protection
- RoHS Compliant

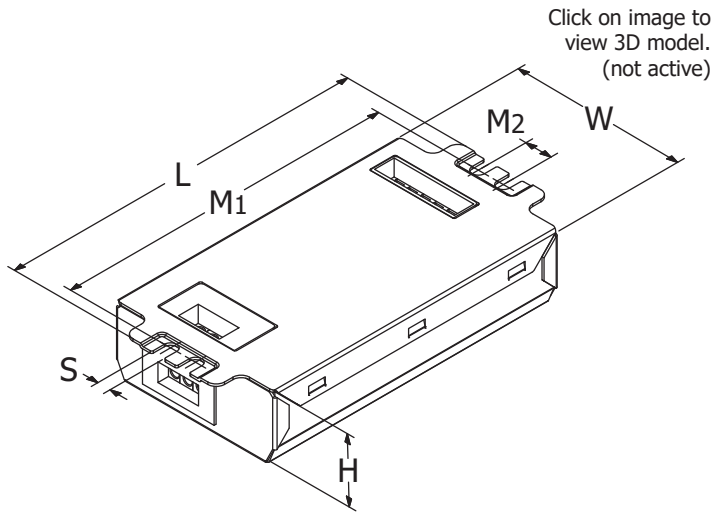
APPLICATION:

- Maximum Case Temperature 194°F/90°C
- Maximum Ambient Temperature 140°F/60°C
- Minimum Starting Temperature -22°F/-30°C
- Not Recommended for Extreme Temperature Variations
- Lamp Starts > 50,000 Starts
- Remote Mounting 18 ft. Max. Lead Length, 18AWG

U.S. PATENT NUMBERS:

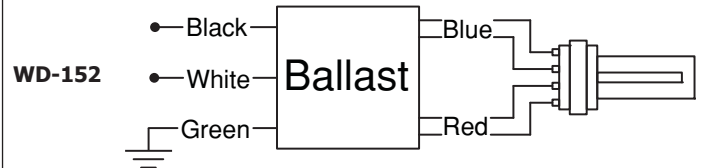
6,366,032 B1 ; 6,420,838 B1; 5,436,529

CASE STYLE: CS-28

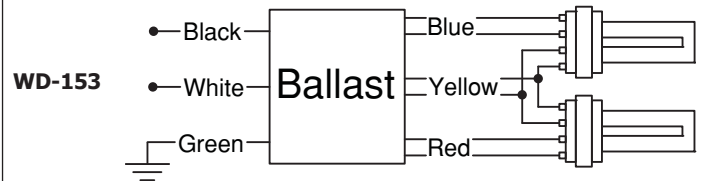


L	W	H	M1	M2	S
5	2-13/32	1	4-5/8	3/8	3/16
5.00	2.41	1.00	4.63	0.38	0.19
12.7 cm	6.11 cm	2.54 cm	11.75 cm	0.95 cm	0.48 cm

WIRING DIAGRAM:

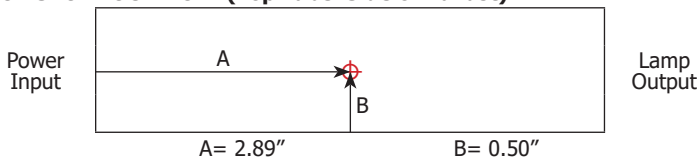


For 1 Lamp Application Omit Yellow Connections



Use 18 AWG Solid Copper Wire, Stripped to 3/8"

HOT SPOT LOCATION: (Top Label Side of Ballast)



WARRANTY:

Robertson Worldwide warrants to the purchaser that this product will be free from defects in material or workmanship for a period of 5 years from date of manufacture when properly installed and under normal condition of use. Specifications subject to change without notice.

For more information on Robertson Worldwide products, visit www.RobertsonLighting.com