

EFH4

4" Fire Rated Housing

Product Description

The EFH4 are new construction 4" housings that are UL Classified for a 2 hour fire rating. They are designed with double wall construction and non-combustible fiber insulation to prevent the passage of flames, toxic gasses and ignition gasses into plenum ceilings. The fiber insulation also acts as a sound deadening material, minimizing transfer of sounds between floors. The EFH4 is suitable for condominiums, apartment buildings, multi-family, commercial and residential applications.

Housing

- Internal housing of 24ga steel construction
- Two v-spring clips for easy installation of NICOR trims
- IDEAL connector or Edison base socket (depending on model)
- Interior filled with flexible, non-combustible insulation.
- External housing of 20ga heavy duty steel
- Matte black finish
- Thermally protected at 257°F (125°C) (EFH4 standard only)

Plaster Frame

- Single piece stamped 22ga steel frame
- Integrated hanger bar attachment features

Junction Box

- Listed for through branch circuit wiring and includes three 1/2", one 3/4" and one 3/8" knockouts
- Supplied with three quick connect push-in wire connectors
- Four pry-outs with integral strain relief simplify Romex installation

Hangar Bars

- Two fully adjustable, pre-scored hangar bars (13.6" - 25") with captive nails included on frame
- Swivel foot on end of bar rotates 90° for easy single person installation
- Bars can be locked into place after adjustment with preinstalled set screw
- Hangar bars can be repositioned 90° on frame without tools
- Unique hanger bar lip design helps align can to bottom of joist and T-Bar notch allow for installation into suspended ceilings

Listings & Ratings

- Input voltage of 120VAC
- Approved under ANSI/UL 263 and 1598
- UL Classified with Two Hour Fire Rating
- UL Listed for Damp Location
- Will meet Wet Location rating based on trim used
- Meets or exceeds ASTM-283 Air-Tight Requirements

Warranty

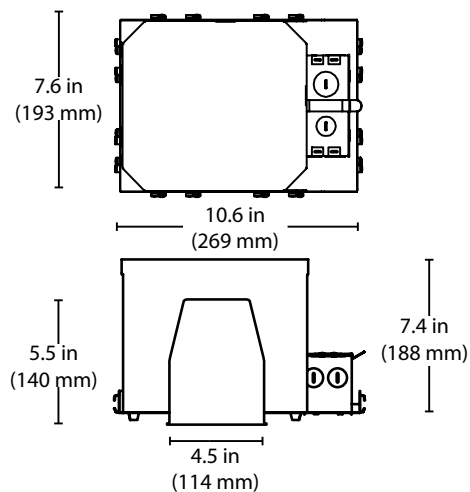
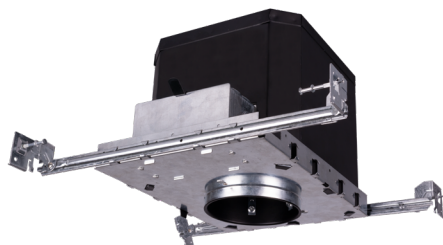
- 1-year warranty standard

Project _____

Catalog _____

Type _____

Date _____



Lamp and Trim Options (EFH6 with Edison Base)

Lamp Type	Max Wattage	NICOR Trims
LED (any shape)	20	See below
R20/PAR20	50	19501, 19501SP, 19502, 19502SP, 19503, 19504, 19505, 19506, 19507, 19508, 19509, 19510, 19523, 19558

Suitable for Wet Location when used with: 19509 OR 19510



*Location rating depends on trim used.

Ordering Information

Example: EFH4-LED

Series	Size	Base
EFH	4	Blank (Edison Base)
		-LED (IDEAL connector)

Specifications and dimensions subject to change without notice.