

DQR2-AA

2" Adjustable Square LED Downlight

Product Description

NICOR's D-Series luminaires offer a comprehensive family of LED downlight fixtures that complement one another no matter your design space needs. The new 2" family packs a punch with its small, elegant design along with its high lumen output. Not only does this family work perfect for accent and task lighting, but the lighting output allows you to bring general ambient lighting into a space with a very small, architectural exposure. From LED color rendering and trim finishes to fixture performance, this series is a perfect choice for commercial, retail, institutional, and residential applications.

Construction

- Cast aluminum trim routes heat away from electrical components
- NICOR 2" LED housing required for use of DQR2-AA

Optical System

- TIR optic provides smooth, uniform light
- Beam spread options available: 37°(standard), 30°, or 20°
- 30° Tilt

Electrical

- COB with greater than 90 CRI and an R9 greater than 50
- Dimmable to 10% with most standard triac dimmers
- Operating temperature rating of 0°F to 120°F (-18°C to 49°C)
- Lifetime rated for greater than 35,000 hours
- LM-79, LM-80 testing performed in accordance with IESNA standards
- 120V input to driver

Finish

- Exterior white powder coat finish
- Also available in Black, Oil-Rubbed Bronze and Nickel *

Installation

- NICOR's 2" recessed housings required: Available in remodel, new construction, and IC/ Airtight new construction
- Quick and easy installation with a snap-in IDEAL connector and friction clip mounting system

Warranty

- 5-year limited system warranty standard

PRODUCT INFORMATION

LED Lifetime:	35,000 Hours
Input Voltage:	120V (input to driver located in 2" housing)
Power Draw:	9W
Fixture Height:	1.75in. (44mm)
Trim Width:	3.125in. (79mm)

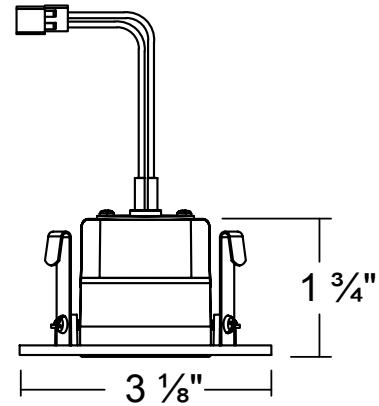
Required Compatible Housings

12200A-LED	New Construction IC/AT
12201-LED	New Construction Non IC
12202R-LED	Remodel Non IC

Project _____

Date _____

Type _____



Ordering Information

Example: DQR2-AA-10-120-2K-WH-SP

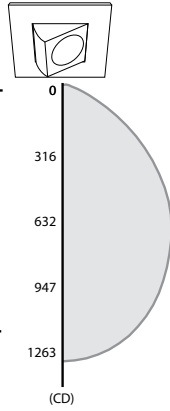
Series	Version	Housing Input Voltage	CCT's	Trim Color	Optics
DQR2-AA	10 (v 1.0)	120 (V)	2K (2700)	WH (white)	blank (37° standard optic)
			3K (3000)	BK (black)*	NF (30° narrow optic)
			4K (4000)	NK (nickel)*	SP (20° spot optic)
				OB (oil-rubbed bronze)*	

*Only available as special order. Contact NICOR for more info.

Photometric Data

DQR2-AA 2700K
 With 37° Optic

Luminaire	2700K
Input Voltage (VAC)	120
System Level Power (W)	8.71
Delivered Lumens (Lm)	663.2
System Efficacy (Lm/W)	76
Correlated Color Temp (K)	2628
Color Rendering Index (CRI)	92.4

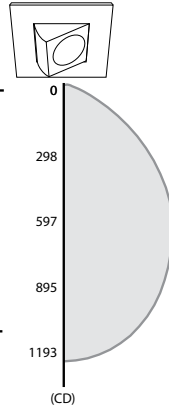


Zonal Lumen Summary

Zone	Lumens	% of Luminaire
0-30	496.5	75%
0-40	588.3	89%
0-60	646.3	97%
0-90	663.2	100%
90-180	0	0.00%
0-180	663.2	100%

DQR2-AA 3000K
 With 37° Optic

Luminaire	3000K
Input Voltage (VAC)	120
System Level Power (W)	8.6
Delivered Lumens (Lm)	695.8
System Efficacy (Lm/W)	81
Correlated Color Temp (K)	2984
Color Rendering Index (CRI)	92.3

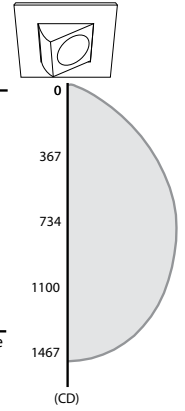


Zonal Lumen Summary

Zone	Lumens	% of Luminaire
0-30	510	73%
0-40	609.4	88%
0-60	677.7	97%
0-90	695.8	100%
90-180	0	0.00%
0-180	695.8	100%

DQR2-AA 4000K
 With 37° Optic

Luminaire	4000K
Input Voltage (VAC)	120
System Level Power (W)	8.96
Delivered Lumens (Lm)	780.5
System Efficacy (Lm/W)	87
Correlated Color Temp (K)	3767
Color Rendering Index (CRI)	92.2



Zonal Lumen Summary

Zone	Lumens	% of Luminaire
0-30	582.8	75%
0-40	691.9	89%
0-60	761.4	98%
0-90	780.5	100%
90-180	0	0.00%
0-180	780.5	100%