

DLRv5 Select

Recessed LED Downlight

Product Description

Now part of the NICOR Select line, the DLR Select from NICOR is a 4" or 5" & 6" recessed LED downlight that is ideal for new construction using the patented new construction frame or as a retrofit into most 4" or 5" & 6" housings. Improved to meet the newest certification standards, the DLR Select is over 60 LPW, 90+ CRI and R9 greater than 50. With a micro-switch on the driver cap, the DLR Select offers the ability to adjust the CCT to 3000K, 4000K, or 5000K. The DLRv5 system of the downlight combined with the frame provides the lowest overall system cost for energy efficient, high quality lighting.

Construction

- Spun aluminum trim routes heat away from electrical components
- Aluminum driver cover for additional thermal management
- Fully captured stainless steel V-springs on 6"
- Friction fit stainless steel arms on 4"
- IDEAL luminaire connector
- Low profile, integrated driver designed for DLRv5 frame use

Optical System

- Dual emitter array enables CCT selection of 3000K, 4000K, or 5000K
- Binned within 4-step MacAdams with $\text{duv} < \pm 0.003$
- Utilizes high performing LEDs with 90+ CRI and an $R9 > 50$
- Polystyrene diffuser creates uniform distribution without sacrificing lumen output
- Increased trim depth provides lower glare and a quieter ceiling

Electrical

- Input voltage of 120VAC
- Utilizes high performing LEDs with >90 CRI and an $R9 > 50$
- Dimmable below 10% with compatible leading edge (TRIAC) or trailing edge (ELV) dimmers
- Operating temperature rating of 0°F to 120°F (-18°C to 49°C)

Finish

- Exterior white powder coat finish
- Available accessory trim covers in Black, Oil-Rubbed Bronze and Nickel

Mounting and Installation

- Compatible with patented DLRv5 frame
- Compatible with most 4" or 5" & 6" recessed housings
- Quick and easy installation with an IDEAL luminaire connector and torsion spring or friction fit mounting system
- Ships with Edison base socket string (GU24 socket string available)

Listings

- LM-79, LM-80 testing performed in accordance with IESNA standards
- UL/cUL1598 Listed for wet locations
- Airtight when used with DLR56 frame
- RoHS Compliant
- Meets FCC Part 15, Subpart B, Class B standards for conducted and radiated emissions
- LED lumen maintenance: $L70(9k) > 54,000$ hrs

Warranty

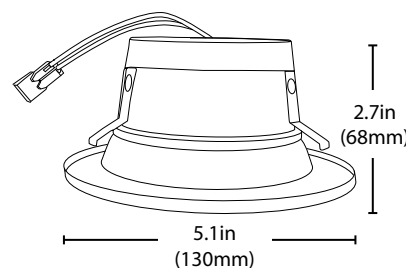
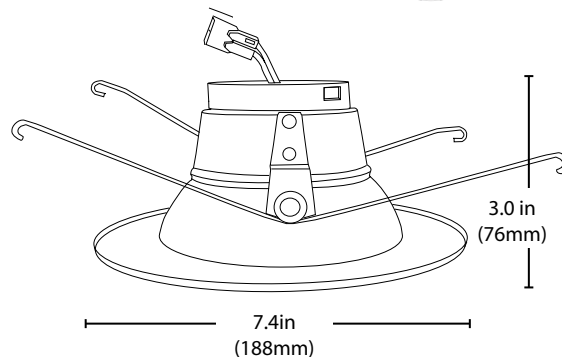
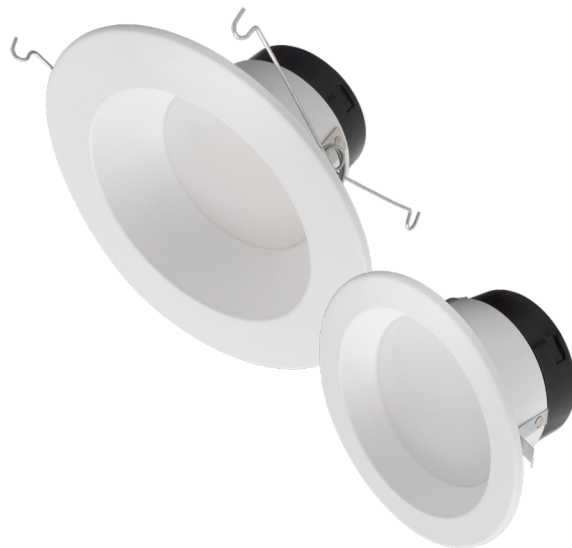
- 5-year limited system warranty
- Warranty does not cover product failure due to an overvoltage event (power surge). For installations where power surge may be possible, NICOR recommends installing additional surge protection at the electrical distribution panel

Project

Catalog

Type

Date



* not available at 5000K

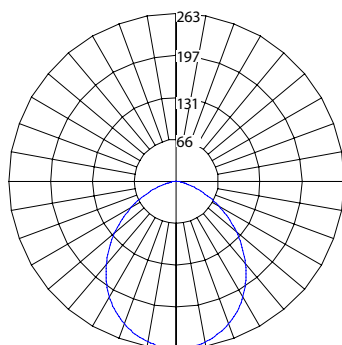


Patent Pending

Photometric Data

DLR4 Select 3000K

| | |
|-----------------------------|----------|
| Input Voltage (VAC) | 120V |
| System Level Power (W) | 9.5 |
| Delivered Lumens (Lm) | 606 |
| System Efficacy (Lm/W) | 64.0 |
| Correlated Color Temp (K) | 3051 |
| Color Rendering Index (CRI) | 92 R9=53 |
| Beam Angle | 97° |
| Spacing Criteria | 1.20 |



Intensity Summary (Candle Power)

| Angle | Mean CP |
|-------|---------|
| 0 | 263 |
| 5 | 261 |
| 15 | 249 |
| 25 | 226 |
| 35 | 191 |
| 45 | 148 |
| 55 | 102 |
| 65 | 57 |
| 75 | 19 |
| 85 | 4 |
| 90 | 0 |

CCT Data Multiplier

| | |
|-------|-------|
| 4000K | 1.091 |
| 5000K | 1.013 |

Cone of Light Tabulation

| Mounted height (Feet) | Footcandles Beam Center | Diameter (Feet) |
|-----------------------|-------------------------|-----------------|
| 4 | 19.2 | 11.6 |
| 6 | 8.5 | 17.5 |
| 8 | 4.8 | 23.3 |
| 10 | 3.1 | 29.1 |
| 12 | 2.1 | 34.9 |
| 14 | 1.6 | 40.7 |
| 16 | 1.2 | 46.5 |

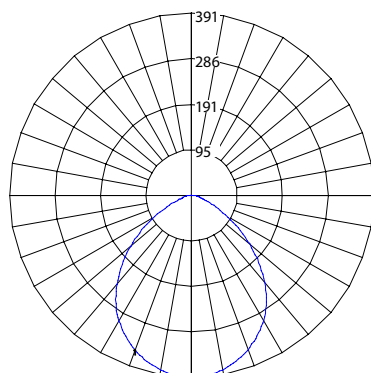
Zonal Lumen Summary

| Zone | Lumens | % of Luminaire |
|--------|--------|----------------|
| 0-30 | 199 | 32.8% |
| 0-40 | 318 | 52.5% |
| 0-60 | 523 | 86.4% |
| 0-90 | 606 | 100% |
| 90-180 | 0 | 0% |
| 0-180 | 606 | 100% |

Fixture tested per LM-79-08. Photometric data is of the performance of a representative fixture. Results may vary in the field.

DLR56 Select 3000K

| | |
|-----------------------------|----------|
| Input Voltage (VAC) | 120 |
| System Level Power (W) | 12.7 |
| Delivered Lumens (Lm) | 807 |
| System Efficacy (Lm/W) | 63.6 |
| Correlated Color Temp (K) | 3025 |
| Color Rendering Index (CRI) | 91 R9=51 |
| Beam Angle | 93° |
| Spacing Criteria | 1.22 |



Intensity Summary (Candle Power)

| Angle | Mean CP |
|-------|---------|
| 0 | 381 |
| 5 | 379 |
| 15 | 360 |
| 25 | 325 |
| 35 | 274 |
| 45 | 202 |
| 55 | 123 |
| 65 | 54 |
| 75 | 20 |
| 85 | 6 |
| 90 | 0 |

CCT Data Multiplier¹

| | |
|-------|-------|
| 4000K | 1.091 |
| 5000K | 1.013 |

Cone of Light Tabulation

| Mounted height (Feet) | Footcandles Beam Center | Diameter (Feet) |
|-----------------------|-------------------------|-----------------|
| 4 | 19.2 | 11.6 |
| 6 | 8.5 | 17.5 |
| 8 | 4.8 | 23.3 |
| 10 | 3.1 | 29.1 |
| 12 | 2.1 | 34.9 |
| 14 | 1.6 | 40.7 |
| 16 | 1.2 | 46.5 |

Zonal Lumen Summary

| Zone | Lumens | % of Luminaire |
|--------|--------|----------------|
| 0-30 | 287 | 35.6% |
| 0-40 | 458 | 56.8% |
| 0-60 | 724 | 89.7% |
| 0-90 | 807 | 100% |
| 90-180 | 0 | 0.0% |
| 0-180 | 807 | 100% |

Fixture tested per LM-79-08. Photometric data is of the performance of a representative fixture. Results may vary in the field.

Performance Data

| Model Number | CCT | Lumens | Watts | Lumens/Watt |
|--------------|------|--------|-------|-------------|
| DLR4506120S | 3000 | 606 | 9.5 | 64.0 |
| | 4000 | 661 | 9.5 | 69.6 |
| | 5000 | 614 | 9.5 | 64.6 |
| DLR56508120S | 3000 | 807 | 12.7 | 63.6 |
| | 4000 | 880 | 12.7 | 69.3 |
| | 5000 | 817 | 12.7 | 64.3 |

Recommended Dimmers¹

DLR4

Lutron Caseta PD-10XN
Lutron Skylark SELV-300P
Lutron Diva DVCL-153P

DLR56

Legrand Adorne softTap ADTP703TU
Lutron Caseta PD-10XN
Lutron Skylark SELV-300P
Lutron Diva DVCL-153P

Housing Compatibility¹

| DLR4-5-FRAME | DLR4v5 NEW CONSTRUCTION FRAME |
|----------------|-------------------------------------------------------------------|
| 19000A-LED-ID | 4" LED IC AIRTIGHT NEW CONSTRUCTION HOUSING |
| 19001AR-LED-ID | 4" LED IC AIRTIGHT REMODEL HOUSING |
| | MOST STANDARD 4" RECESSED HOUSINGS |
| DLR56-5-FRAME | DLR56v5 NEW CONSTRUCTION FRAME |
| 17014-LED-ID | 6" LED IC AIRTIGHT NEW CONST. HOUSING |
| 17014AR-LED-ID | 6" LED IC AIRTIGHT REMODEL HOUSING |
| | MOST 5" OR 6" RECESSED HOUSINGS WITH USE OF ACCESSORY EDISON BASE |

¹Not a complete list. Check compatibility before installation.

Ordering

Ordering Information

Example: DLR56508120SWH

| Series | Version | Voltage | CCT's | Trim Color |
|--------|---------------------------|--------------|---------------------|------------|
| DLR4 | 506 (600 lm) ¹ | 120 (120VAC) | S (3000/4000/5000K) | WH (White) |
| DLR56 | 508 (800 lm) ² | | | |

Specifications and dimensions subject to change without notice.

1) 4" available in 600lm only

2) 6" available in 800lm only

Accessories

accessories sold separately

| | |
|--------------------------------|--------------------|
| DLR4v5 New Construction Frame | DLR4-5-FRAME |
| 4" Oil Rubbed Bronze Trim | DLR4-5-TR-OB |
| 4" Black Trim | DLR4-5-TR-BK |
| 4" Nickel Trim | DLR4-5-TR-NK |
| DLR56v5 New Construction Frame | DLR56-5-FRAME |
| 6" Oil Rubbed Bronze Trim | DLR56-5-TR-OB |
| 6" Black Trim | DLR56-5-TR-BK |
| 6" Nickel Trim | DLR56-5-TR-NK |
| GU24 Socket String | GU24-IDEAL-SKT-STR |

This device complies with part 15 of the FCC Rules. Operation is subject to the following two conditions: (1) This device may not cause harmful interference, and (2) this device must accept any interference received, including interference that may cause undesired operation.

NOTE: This equipment has been tested and found to comply with the limits for a Class B digital device, pursuant to part 15 of the FCC Rules. These limits are designed to provide reasonable protection against harmful interference in a residential installation. This equipment generates, uses and can radiate radio frequency energy and, if not installed and used in accordance with the instructions, may cause harmful interference to radio communications. However, there is no guarantee that interference will not occur in a particular installation. If this equipment does cause harmful interference to radio or television reception, which can be determined by turning the equipment off and on, the user is encouraged to try to correct the interference by one or more of the following measures:

- Reorient or relocate the receiving antenna.
- Increase the separation between the equipment and receiver.
- Connect the equipment into an outlet on a circuit different from that to which the receiver is connected.
- Consult the dealer or an experienced radio/TV technician for help.