

DLR4v5

4" Recessed LED Downlight

Product Description

The DLR4 from NICOR is a 4" recessed LED downlight that is ideal for new construction using the patented new construction frame and retrofit into most 4" housings. Improved to meet the newest certification standards, the DLR4 is over 70 LPW, 90+ CRI and R9 greater than 60. The DLR4v5 system of the downlight combined with the frame provides the lowest overall system cost for energy efficient, high quality lighting.

Construction

- Spun aluminum trim routes heat away from electrical components
- Ultra low profile, integrated driver designed for DLR4 frame use
- Airtight when used with DLR4 frame
- Also allows for use in shallow housings

Optical System

- Polystyrene diffuser and reflector cone create a uniform light distribution that reduces glare without sacrificing lumen output
- Increased trim depth provides lower glare and a quieter ceiling.

Electrical

- Utilizes high performing LEDs with >90 CRI and an R9 >60 (not available on 5000K)
- Dimmable to 5% with compatible TRIAC dimmers
- Operating temperature rating of 0°F to 120°F (-18°C to 49°C)
- Input voltage of 120V
- Lifetime rated for greater than 60,000 hours
- LM-79 testing performed in accordance with IESNA standards
- Meets FCC Part 15, Subpart B, Class B standards for conducted and radiated emissions

Finish

- Exterior white powder coat finish
- Available accessory trim covers in Black, Oil-Rubbed Bronze and Nickel

Installation

- Compatible with patented DLR4 frame
- Compatible with most 4" recessed housings
- Quick and easy installation with friction clip system
- Ships with Edison base socket string (GU24 socket string available)

Warranty

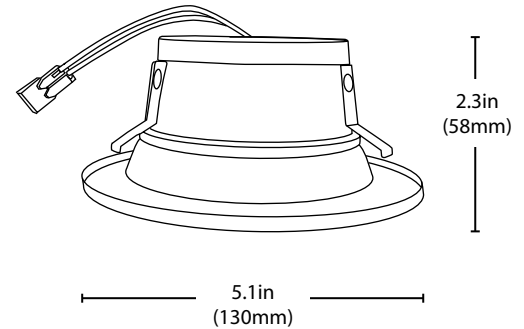
- 5-year limited system warranty

Project _____

Catalog _____

Type _____

Date _____



* not available
in 5000K

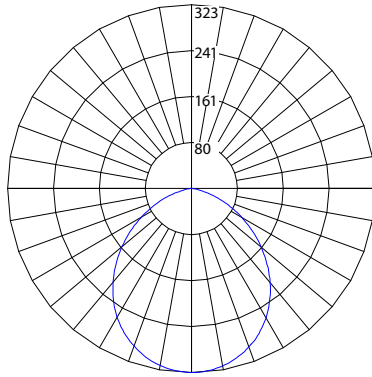


Patent Pending

Photometric Data

DLR4 2700K

Input Voltage (VAC)	120V
System Level Power (W)	9.3
Delivered Lumens (Lm)	754
System Efficacy (Lm/W)	81.5
Correlated Color Temp (K)	2748
Color Rendering Index (CRI)	94 R9=65
Beam Angle	99°
Spacing Criteria	1.22



Intensity Summary (Candle Power)

Angle	Mean CP
0	319
5	318
15	313
25	305
35	293
45	278
55	260
65	239
75	214
85	187
90	160

CCT Data Multiplier

DLR45061203KWH	1.020
DLR45061204KWH	1.058
DLR45061205KWH	1.071

Cone of Light Tabulation

Mounted height (Feet)	Footcandles Beam Center	Diameter (Feet)
4	20.0	9.4
6	8.9	14.1
8	5.0	18.7
10	3.2	23.4
12	2.2	28.1
14	1.6	32.8
16	1.2	37.5

Zonal Lumen Summary

Zone	Lumens	% of Luminaire
0-30	243	32.3%
0-40	391	51.9%
0-60	648	86%
0-90	754	100%
90-180	0	0%
0-180	754	100%

Fixture tested per LM-79-08. Photometric data is of the performance of a representative fixture. Results may vary in the field.

Performance Data

Model Number	Lumens	Watts	Lumens/Watt
DLR45061202KWH	754	9.3	81.5
DLR45061203KWH	769	9.3	83.1
DLR45061204KWH	798	9.3	86.2
DLR45061205KWH	808	9.3	87.3

Recommended Dimmers*

Lutron Maestro MACL-153M
Adorne SofTap 341108
Leviton IPL06
Pass & Seymour RHCL453P
Lutron Diva DVELV-300P

Housing Compatibility*

DLR4-5-FRAME DLR4v5 NEW CONSTRUCTION FRAME
19000A-LED-ID 4" LED IC AIRTIGHT NEW CONSTRUCTION HOUSING
19001AR-LED-ID 4" LED IC AIRTIGHT REMODEL HOUSING
MOST STANDARD 4" RECESSED HOUSINGS

*Not a complete list. Check compatibility before installation.

Ordering Information

Example: DLR45061203KWH

Series	Version	Voltage	CCT's	Trim Color
DLR4	506 (600 lm)	120 (120VAC)	2K (2700 K)	WH (White)
			3K (3000 K)	
			4K (4000 K)	
			5K (5000 K)	

Specifications and dimensions subject to change without notice.

Accessories

accessories sold separately

DLR4v5 New Construction Frame	DLR4-5-FRAME
Oil Rubbed Bronze Trim	DLR4-5-TR-OB
Black Trim	DLR4-5-TR-BK
Nickel Trim	DLR4-5-TR-NK
GU24 Socket String	GU24-IDEAL-SKT-STR

This device complies with part 15 of the FCC Rules. Operation is subject to the following two conditions: (1) This device may not cause harmful interference, and (2) this device must accept any interference received, including interference that may cause undesired operation.

NOTE: This equipment has been tested and found to comply with the limits for a Class B digital device, pursuant to part 15 of the FCC Rules. These limits are designed to provide reasonable protection against harmful interference in a residential installation. This equipment generates, uses and can radiate radio frequency energy and, if not installed and used in accordance with the instructions, may cause harmful interference to radio communications. However, there is no guarantee that interference will not occur in a particular installation. If this equipment does cause harmful interference to radio or television reception, which can be determined by turning the equipment off and on, the user is encouraged to try to correct the interference by one or more of the following measures:

- Reorient or relocate the receiving antenna.
- Increase the separation between the equipment and receiver.
- Connect the equipment into an outlet on a circuit different from that to which the receiver is connected.
- Consult the dealer or an experienced radio/TV technician for help.