

# SureFit™ v4

## Ultra Slim Surface Mount LED Downlight

### Product Description

The NICOR SureFit™ Ultra Slim Surface Mount LED Downlight brings selectable lumen output and selectable CCT with an improved design. The DLF will fit a variety of 4/O junction boxes (see compatibility list for more information). Mount the fixture directly to the J-Box using the keyhole mounting slots and two screws. Magnetic round, square or wall wash trims, in a variety of colors, offer a seamless finish to enhance the visual aesthetic of any living space. The NICOR SureFit™ is the perfect solution for residential and light commercial spaces including living rooms, bedrooms, home theaters, corridors, office, retail and more.

#### Construction

- Aluminum housing routes heat away from electrical components
- Custom designed, integrated driver recesses into junction box
- CCT and Lumen selections switches on side of housing
- Interchangeable magnetic trims available in round, square and wall wash

#### Optical System

- Polystyrene diffuser creates uniform distribution without sacrificing lumen output
- Offered with 3 lumen selections of 600, 750 and 900lm for downlight distributions
- Offered with 5 CCT selection of 2700K, 3000K, 3500K, 4000K, and 5000K

#### Electrical

- Driver-on-board design minimizes installation height
- Input voltage of 120VAC, 60Hz
- Dimmable to less than 5% with compatible leading edge (TRIAC) and trailing edge (ELV) dimmers
- Operating temperature rating of -4°F to 104°F (-20°C to 40°C)

#### Finish

- White powder coat finish standard
- Optional round and square trims available in Black and Oil-Rubbed Bronze
- Wall wash available in White, Black and Oil-Rubbed Bronze

#### Mounting and Installation

- Easy installation in metallic and non-metallic new construction 4/O junction boxes (see compatibility list for more information)
- Removable trim allows for easy mounting while providing a seamless trim finish
- Fixture mounts directly to J-Boxes with two screws
- Keyhole slots allow quick and easy installation
- Three three-port poke-in connectors included
- For installations where power surge may be possible, NICOR recommends installing additional surge protection at the electrical distribution panel

#### Listings

- cULus 1598 Listed for wet locations
- ENERGYSTAR Listed
- CA Title 24/JA8 Compliant
- Suitable for use in closets : Compliant with NFPA® 70, NEC® Section 410.16 (A)(3) and 410.16 (C)(5)
- RoHS Compliant
- Meets FCC Part 15, Subpart B, Class B standards for conducted and radiated emissions
- TM-21 Reported L70(9k) life >54,000 hours
- LM-79, LM-80 testing performed in accordance with IESNA standards
- Patented

#### Warranty

- 5-year limited system warranty standard
- Warranty does not cover product failure due to an overvoltage event (power surge)

Project

Catalog

Type

Date



**DLFv4**  
**Surface Mount LED Downlight**  
600/750/900 Lumen  
2700/3000/3500/4000/5000K



## Ordering

### Ordering Information

Example: DLF4S120SWH

Series	Version	Wattage	Voltage	CCT's	Trim Color
DLF	4	S (Selectable 8/10/12W)	120 (120V)	S (27/3/35/4/5K)	WH (White)

Specifications and dimensions subject to change without notice. Please refer to the website for the most up-to-date information.

### Accessories

Accessories sold separately

Round		Square		Wall wash Kit	
Round Black Trim	DLF4-TRIM-RD-BK	Square Black Trim	DLF4-TRIM-SQ-BK	Wall wash Black Trim	DLF4-WW-KIT-RD-BK
Round Oil-Rubbed Bronze Trim	DLF4-TRIM-RD-OB	Square Oil-Rubbed Bronze Trim	DLF4-TRIM-SQ-OB	Wall wash Oil-Rubbed Bronze Trim	DLF4-WW-KIT-RD-OB
Round White Trim	DLF4-TRIM-RD-WH	Square White Trim	DLF4-TRIM-SQ-WH	Wall wash White Trim	DLF4-WW-KIT-RD-WH



## Performance Data

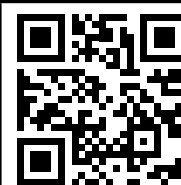
### Performance Data - Downlight

Wattage	CCT	Lumens	Watts	Lumens/Watt
8W	2700K	625	7.6	82.0
	3000K	644	7.4	86.9
	3500K	688	7.6	90.8
	4000K	676	7.6	89.4
	5000K	618	7.4	83.6
10W	2700K	763	9.4	81.3
	3000K	787	9.1	86.2
	3500K	840	9.3	90.0
	4000K	825	9.3	88.7
	5000K	755	9.1	82.9
12W	2700K	912	11.6	79.6
	3000K	940	11.3	84.3
	3500K	1004	11.5	88.0
	4000K	986	11.5	86.8
	5000K	902	11.2	81.1

### Performance Data - Wall wash

Wattage	CCT	Lumens	Watts	Lumens/Watt
8W	2700K	441	7.6	58.0
	3000K	455	7.4	61.5
	3500K	486	7.6	64.0
	4000K	477	7.6	62.8
	5000K	437	7.4	59.0
10W	2700K	539	9.4	57.3
	3000K	556	9.1	61.1
	3500K	593	9.3	63.8
	4000K	582	9.3	62.6
	5000K	533	9.1	58.5
12W	2700K	644	11.6	55.5
	3000K	664	11.3	58.8
	3500K	709	11.5	61.7
	4000K	696	11.5	60.5
	5000K	637	11.2	56.9

### Housing Compatibility\*



Please use this QR code to see the most up-to-date housing compatibility list.

Check compatibility before installation. Compatible with metallic 4/0 or 4" plastic j-boxes with 3.1" clearance between mounting posts.

### Recommended Dimmers\*

- Lutron Diva DVCL-153P
- Leviton IPL06
- Legrand Adorne SofTap
- Lutron Caseta PD-6WCL
- Lutron Skylark SCL-153P

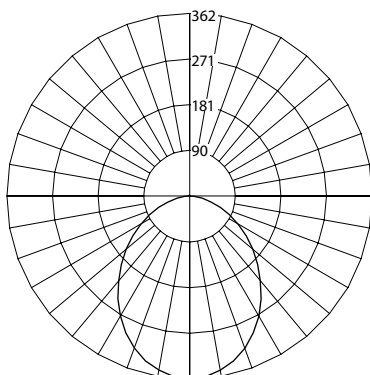
\*Not a complete list.  
Check compatibility before installation.

\*With round white trim

## Photometric Data

### DLF4 12W, 2700K Downlight Distribution

Input Voltage (VAC)	120V
System Level Power (W)	11.6
Delivered Lumens* (Lm)	912
System Efficacy (Lm/W)	78.6
Correlated Color Temp (K)	2718
Color Rendering Index (CRI)	93 R9=58
Beam Angle	100.9
Spacing Criteria	1.19



### Intensity Summary (Candle Power)

Angle	Mean CP
0	362
5	360
15	343
25	310
35	265
45	214
55	160
65	107
75	57
85	15
90	0

### Cone of Light Tabulation

Mounted height (Feet)	Footcandles Beam Center	Diameter (Feet)
4	22.6	9.7
6	10.0	14.5
8	5.6	19.4
10	3.6	24.2
12	2.5	29.1

### Zonal Lumen Summary

Zone	Lumens	% of Luminaire
0-30	272	29.8%
0-40	435	47.7%
0-60	737	80.8%
0-90	912	100%
90-180	0	0%
0-180	912	100%

### Data Multiplier

	2700K	3000K	3500K	4000K	5000K
8W	0.685	0.707	0.755	0.741	0.678
10W	0.837	0.863	0.921	0.904	0.827
12W	1.000	1.031	1.101	1.081	0.989

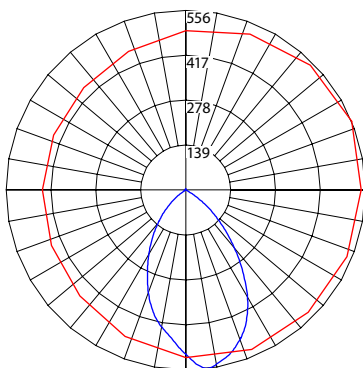
Fixture tested per LM-79-08. Photometric data is of the performance of a representative fixture with round white trim. Results may vary in the field.

## Photometric Data

### DLF4 12W, 2700K

#### Wall wash Distribution

Input Voltage (VAC)	120V
System Level Power (W)	11.6
Delivered Lumens* (Lm)	644
System Efficacy (Lm/W)	55.5
Correlated Color Temp (K)	2718
Color Rendering Index (CRI)	93 R9=58
Beam Angle (0°)	65.4
Beam Angle (90°)	61.1
Spacing Criteria (0°)	1.14
Spacing Criteria (90°)	0.94



#### Intensity Summary (Candle Power)

Angle	Mean CP
0	508
5	549
15	526
25	445
35	309
45	170
55	58
65	1
75	0
85	0
90	0

#### Cone of Light Tabulation

Mounted height (Feet)	Footcandles Beam Center	Diameter (Feet)
4	32.1	5.1
6	14.4	7.7
8	8.2	10.3
10	5.3	12.8
12	3.7	15.4

#### Zonal Lumen Summary

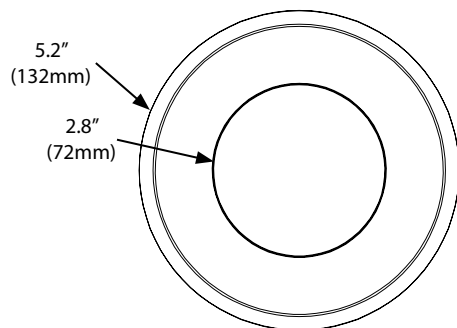
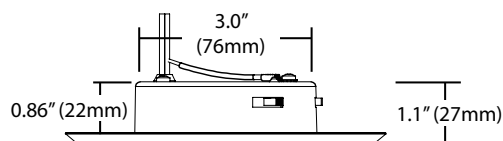
Zone	Lumens	% of Luminaire
0-30	340	52.8%
0-40	492	76.3%
0-60	634	98.5%
0-90	644	100%
90-180	0	0%
0-180	644	100%

#### Data Multiplier

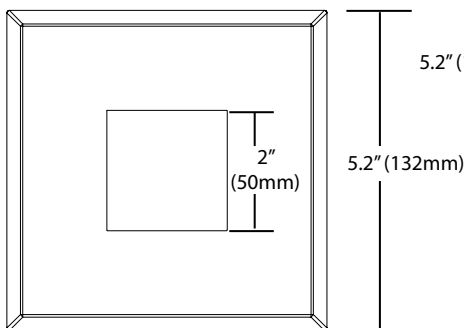
	2700K	3000K	3500K	4000K	5000K
8W	0.685	0.707	0.755	0.741	0.678
10W	0.837	0.863	0.921	0.904	0.827
12W	1.000	1.031	1.101	1.081	0.989

Fixture tested per LM-79-08. Photometric data is of the performance of a representative fixture with round white trim. Results may vary in the field.

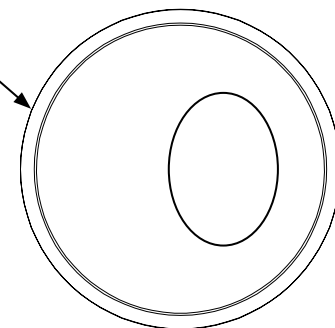
## Dimensions



ROUND



SQUARE



WALL WASH

This device complies with part 15 of the FCC Rules. Operation is subject to the following two conditions: (1) This device may not cause harmful interference, and (2) this device must accept any interference received, including interference that may cause undesired operation. NOTE: This equipment has been tested and found to comply with the limits for a Class B digital device, pursuant to part 15 of the FCC Rules. These limits are designed to provide reasonable protection against harmful interference in a residential installation. This equipment generates, uses and can radiate radio frequency energy and, if not installed and used in accordance with the instructions, may cause harmful interference to radio communications. However, there is no guarantee that interference will not occur in a particular installation. If this equipment does cause harmful interference to radio or television reception, which can be determined by turning the equipment off and on, the user is encouraged to try to correct the interference by one or more of the following measures:

- Reorient or relocate the receiving antenna.
- Increase the separation between the equipment and receiver.
- Connect the equipment into an outlet on a circuit different from that to which the receiver is connected.
- Consult the dealer or an experienced radio/TV technician for help.