

# DLE8

## Edge Lit Recessed LED Downlight

### Product Description

The DLE Edge Lit LED Downlight Series offers an attractive visual aesthetic with a low profile in both round and square apertures. The edge-lit technology uses a reflective light guide panel that disperses light through a diffused lens, making it a practical and economical solution with high performance. The ultra-thin fixture depth and off-board driver allow for more flexible installation and increased lifetime with improved thermal management. The DLE fixture uses a plenum-rated cable connector to link the downlight module to the remote driver box and then pops into place with its adjustable, spring-loaded retention tabs for a secure fit, eliminating the need for a J-box or recessed housing. Adding light in tight spaces such as hallways, bathrooms, basements, entryways, porches, stairways, work areas, utility closets and corridors just got easier.

#### Construction

- Cast aluminum housing routes heat away from electrical components
- Edge-Lit technology allows for extremely thin fixture depth
- Adjustable, spring loaded retention tabs ensure secure fixture retention
- Certified for direct contact with insulation
- Includes gasket to meet AirTight requirements
- Suitable for damp locations

#### Optical System

- Precision engineered optical stack creates uniform light distribution that maximizes lumen output
- CCT offered at 2700K, 3000K, 4000K, 5000K
- Utilizes high performing LEDs with a greater than 90 CRI and an R9 greater than 50

#### Electrical

- Off-board driver minimizes installation height and maximizes fixture life through improved heat management
- Dimmable to less than 5% with compatible TRIAC dimmers
- Operating temperature of 0° to 120°F (-18°C to 49°C)
- Input voltage of 120VAC
- TM-21 Reported L70(9K) hours >54,000

#### Finish

- White powder coat finish standard

#### Mounting and Installation

- Spring loaded retention arms allow for easy installation into ceilings up to 1 1/2" thick with no need for a recessed housing
- Off-board driver/junction box includes two 1/2" KOs and three-port poke-in connectors
- Included paper cutting template
- Metal rough in template available
- Extension power cables (2', 10', 20') available

#### Warranty

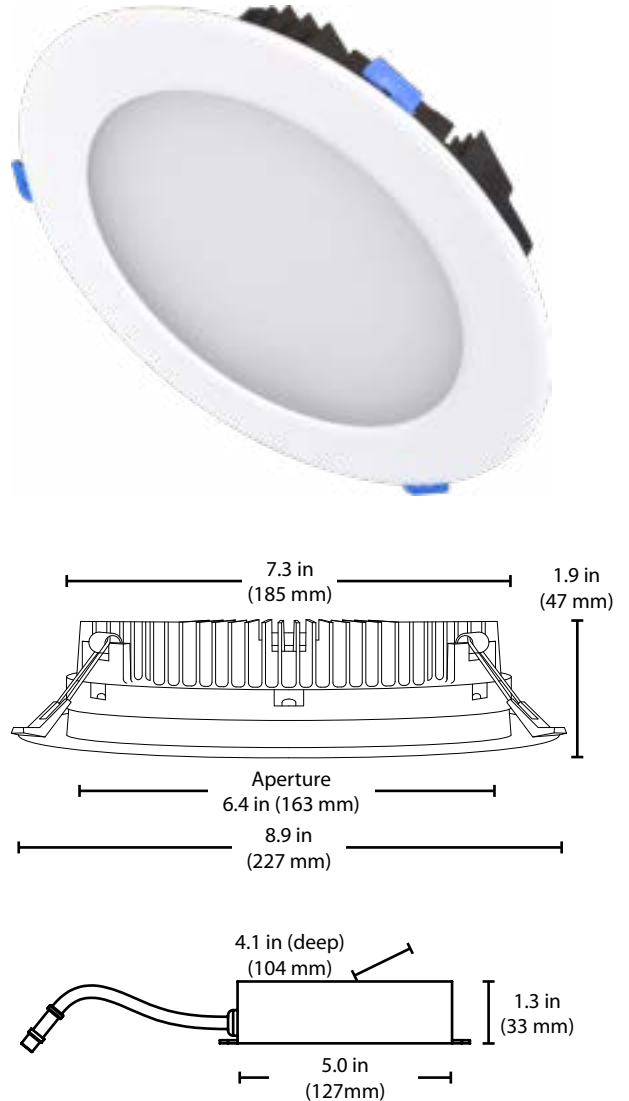
- 5-year limited system warranty
- Warranty does not cover product failure due to an overvoltage event (power surge)
- For installations where power surge may be possible, NICOR recommends installing additional surge protection at the electrical distribution panel

Project

Catalog

Type

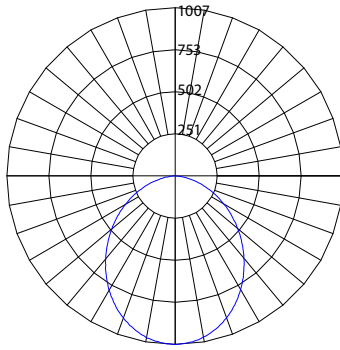
Date



## Photometric Data

### DLE8 3000K RD

Input Voltage (VAC)	120V
System Level Power (W)	28.8
Delivered Lumens (Lm)	2441
System Efficacy (Lm/W)	84.8
Correlated Color Temp (K)	3045
Color Rendering Index (CRI)	93
Beam Angle	99°
Spacing Criteria	1.18



#### Intensity Summary (Candle Power)

Angle	Mean CP
0	1003
5	995
15	976
25	944
35	900
45	846
55	782
65	713
75	640
85	565
90	488

#### CCT Data Multiplier

DLE821202KRD	0.977
DLE821204KRD	1.020
DLE821205KRD	1.046

#### Cone of Light Tabulation

Mounted height (Feet)	Footcandles Beam Center	Diameter (Feet)
4	62.7	9.3
6	27.8	13.9
8	15.6	18.5
10	10.0	23.2
12	6.9	27.8
14	5.1	32.4
16	3.9	37.1

#### Zonal Lumen Summary

Zone	Lumens	% of Luminaire
0-30	749	30.7%
0-40	1195	49.0%
0-60	2003	82.0%
0-90	2441	100%
90-180	0	0%
0-180	2441	100%

Fixture tested per LM-79-08. Photometric data is of the performance of a representative fixture. Results may vary in the field.

#### Performance Data

Model Number	Lumens	Watts	Lumens/Watt
DLE821202KRD	2384	28.8	82.8
DLE821203KRD	2441	28.8	84.8
DLE821204KRD	2489	28.8	86.4
DLE821205KRD	2553	28.8	88.6

#### Recommended Dimmers\*

Lutron DIVA DVELV-300P  
Lutron Skylark SELV-300P  
Lutron Caseta PD-6WCL  
Legrand SofTap ADTP703TU

\*Not a complete list. Check compatibility before installation.

## Ordering Information

Example: DLE821203KRDWH

Series	Version	Voltage	CCT's	Trim Shape	Trim Color
DLE8	2 (Version 2)	120	2K (2700 K)	RD (Round)	WH (White)
			3K (3000 K)		
			4K (4000 K)		
			5K (5000 K)		

Specifications and dimensions subject to change without notice

#### Accessories

accessories sold separately

8" ROUGH IN TEMPLATE	ROUGHIN-TEMPLATE-8
8" BLACK TRIM RING	DLE8-TR-BK
8" AGED COPPER TRIM RING	DLE8-TR-AC
8" BRUSHED NICKEL TRIM RING	DLE8-TR-NK
24" Extension Cable	DLE-EXTCABLE-24
10' Extension Cable	DRIVER-EXTCABLE-10
20' Extension Cable	DRIVER-EXTCABLE-20