

DLE8

Edge Lit Recessed LED Downlight

Product Description

The DLE Edge Lit LED Downlight Series offers an attractive visual aesthetic with a low profile in both round and square apertures. The edge-lit technology uses a reflective light guide panel that disperses light through a diffused lens, making it a practical and economical solution with high performance. The ultra-thin fixture depth and off-board driver allow for more flexible installation and increased lifetime with improved thermal management. The DLE fixture uses a plenum-rated cable connector to link the downlight module to the remote driver box and then pops into place with its adjustable, spring-loaded retention tabs for a secure fit, eliminating the need for a J-box or recessed housing. Adding light in tight spaces such as hallways, bathrooms, basements, entryways, porches, stairways, work areas, utility closets and corridors just got easier.

Construction

- Cast aluminum housing routes heat away from electrical components
- Edge-Lit technology allows for extremely thin fixture depth
- Adjustable, spring loaded retention tabs ensure secure fixture retention
- Certified for direct contact with insulation
- Includes gasket to meet AirTight requirements
- Suitable for damp locations

Optical System

- Precision engineered optical stack creates uniform light distribution that maximizes lumen output
- CCT offered at 2700K, 3000K, 4000K, 5000K
- Utilizes high performing LEDs with a greater than 90 CRI and an R9 greater than 50

Electrical

- Off-board driver minimizes installation height and maximizes fixture life through improved heat management
- Dimmable to less than 5% with compatible TRIAC dimmers
- Operating temperature of 0° to 120°F (-18°C to 49°C)
- Input voltage of 120VAC
- TM-21 Reported L70(9K) hours >54,000

Finish

- White powder coat finish standard

Mounting and Installation

- Spring loaded retention arms allow for easy installation into ceilings up to 1 1/2" thick with no need for a recessed housing
- Off-board driver/junction box includes two 1/2" KOs and three-port poke-in connectors
- Included paper cutting template
- Metal rough in template available
- Extension power cables (2', 10', 20') available

Warranty

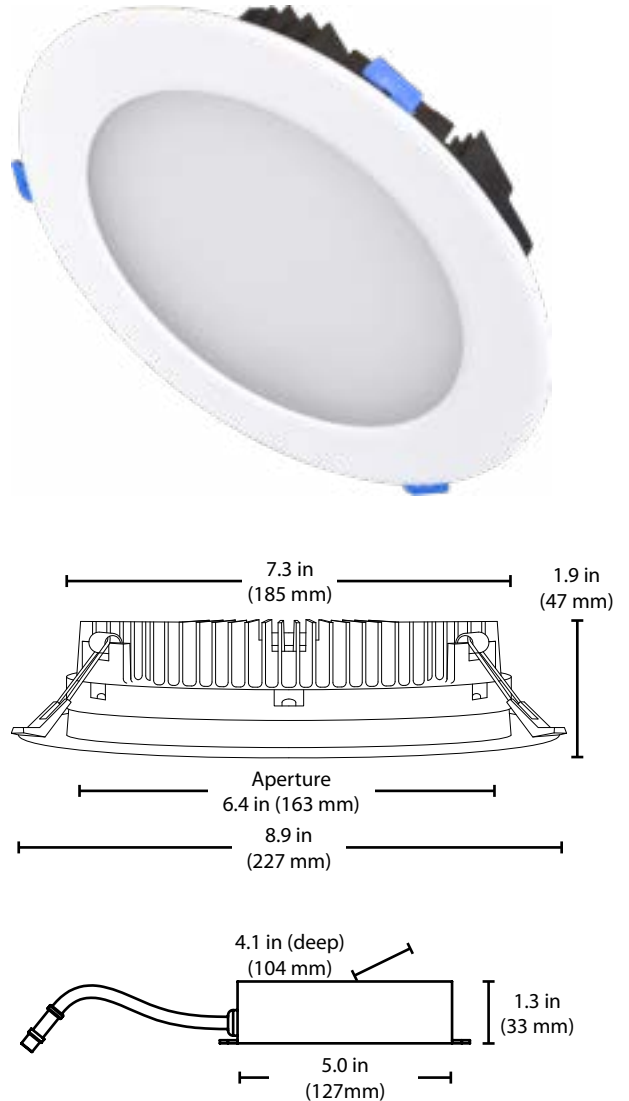
- 5-year limited system warranty
- Warranty does not cover product failure due to an overvoltage event (power surge)
- For installations where power surge may be possible, NICOR recommends installing additional surge protection at the electrical distribution panel

Project

Catalog

Type

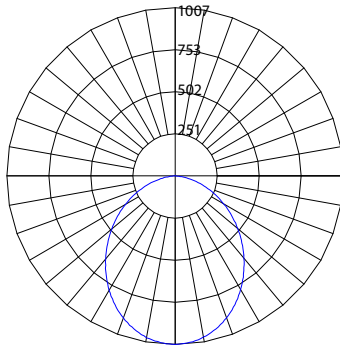
Date



Photometric Data

DLE8 3000K RD

Input Voltage (VAC)	120V
System Level Power (W)	28.8
Delivered Lumens (Lm)	2441
System Efficacy (Lm/W)	84.8
Correlated Color Temp (K)	3045
Color Rendering Index (CRI)	93
Beam Angle	99°
Spacing Criteria	1.18



Intensity Summary (Candle Power)

Angle	Mean CP
0	1003
5	995
15	976
25	944
35	900
45	846
55	782
65	713
75	640
85	565
90	488

CCT Data Multiplier

DLE821202KRD	0.977
DLE821204KRD	1.020
DLE821205KRD	1.046

Cone of Light Tabulation

Mounted height (Feet)	Footcandles Beam Center	Diameter (Feet)
4	62.7	9.3
6	27.8	13.9
8	15.6	18.5
10	10.0	23.2
12	6.9	27.8
14	5.1	32.4
16	3.9	37.1

Zonal Lumen Summary

Zone	Lumens	% of Luminaire
0-30	749	30.7%
0-40	1195	49.0%
0-60	2003	82.0%
0-90	2441	100%
90-180	0	0%
0-180	2441	100%

Fixture tested per LM-79-08. Photometric data is of the performance of a representative fixture. Results may vary in the field.

Performance Data

Model Number	Lumens	Watts	Lumens/Watt
DLE821202KRD	2384	28.8	82.8
DLE821203KRD	2441	28.8	84.8
DLE821204KRD	2489	28.8	86.4
DLE821205KRD	2553	28.8	88.6

Recommended Dimmers*

Lutron DIVA DVELV-300P
Lutron Skylark SELV-300P
Lutron Caseta PD-6WCL
Legrand SofTap ADTP703TU

*Not a complete list. Check compatibility before installation.

Ordering Information

Example: DLE821203KRDWH

Series	Version	Voltage	CCT's	Trim Shape	Trim Color
DLE8	2 (Version 2)	120	2K (2700 K)	RD (Round)	WH (White)
			3K (3000 K)		
			4K (4000 K)		
			5K (5000 K)		

Specifications and dimensions subject to change without notice

Accessories

accessories sold separately

8" ROUGH IN TEMPLATE	ROUGHIN-TEMPLATE-8
8" BLACK TRIM RING	DLE8-TR-BK
8" AGED COPPER TRIM RING	DLE8-TR-AC
8" BRUSHED NICKEL TRIM RING	DLE8-TR-NK
24" Extension Cable	DLE-EXTCABLE-24
10' Extension Cable	DRIVER-EXTCABLE-10
20' Extension Cable	DRIVER-EXTCABLE-20