

# DLE6

## Edge Lit Recessed LED Downlight

### Product Description

The DLE Edge Lit LED Downlight Series offers an attractive visual aesthetic with a low profile in both round and square apertures. The edge-lit technology uses a reflective light guide panel that disperses light through a diffused lens, making it a practical and economical solution with high performance. The ultra-thin fixture depth and off-board driver allow for more flexible installation and increased lifetime with improved thermal management. The DLE fixture uses a plenum-rated cable connector to link the downlight module to the remote driver box and then pops into place with its adjustable, spring-loaded retention tabs for a secure fit, eliminating the need for a J-box or recessed housing. Adding light in tight spaces such as hallways, bathrooms, basements, entryways, porches, stairways, work areas, utility closets and corridors just got easier.

#### Construction

- Cast aluminum housing routes heat away from electrical components
- Edge-Lit technology allows for extremely thin fixture depth
- Adjustable, spring loaded retention tabs ensure secure fixture retention
- Certified for direct contact with insulation
- Includes gasket to meet AirTight requirements
- Square fixture has round back for easier cut in with standard hole cutters.

#### Optical System

- Precision engineered optical stack creates uniform light distribution that maximizes lumen output
- CCT offered at 2700K, 3000K, 4000K, 5000K
- Utilizes high performing LEDs with a greater than 90 CRI and an R9 greater than 50

#### Electrical

- Off-board driver minimizes installation height and maximizes fixture life through improved heat management
- Dimmable to less than 5% with compatible TRIAC dimmers
- Operating temperature of 0° to 120°F (-18°C to 49°C)
- Input voltage of 120VAC
- TM-21 Reported L70(9K) hours >54,000

#### Finish

- White powder coat finish standard
- Color trims available in Black, Nickel and Aged Copper
- Available in round or square configurations

#### Mounting and Installation

- Spring loaded retention arms allow for easy installation into ceilings up to 1/2" (RD) or 7/8" (SQ) thick with no need for a recessed housing
- Off-board driver/junction box includes two 1/2" KO's and three-port poke-in connectors
- Included paper cutting template
- Metal rough in template available
- Extension power cables (2', 10', 20') available
- Suitable for damp locations

#### Warranty

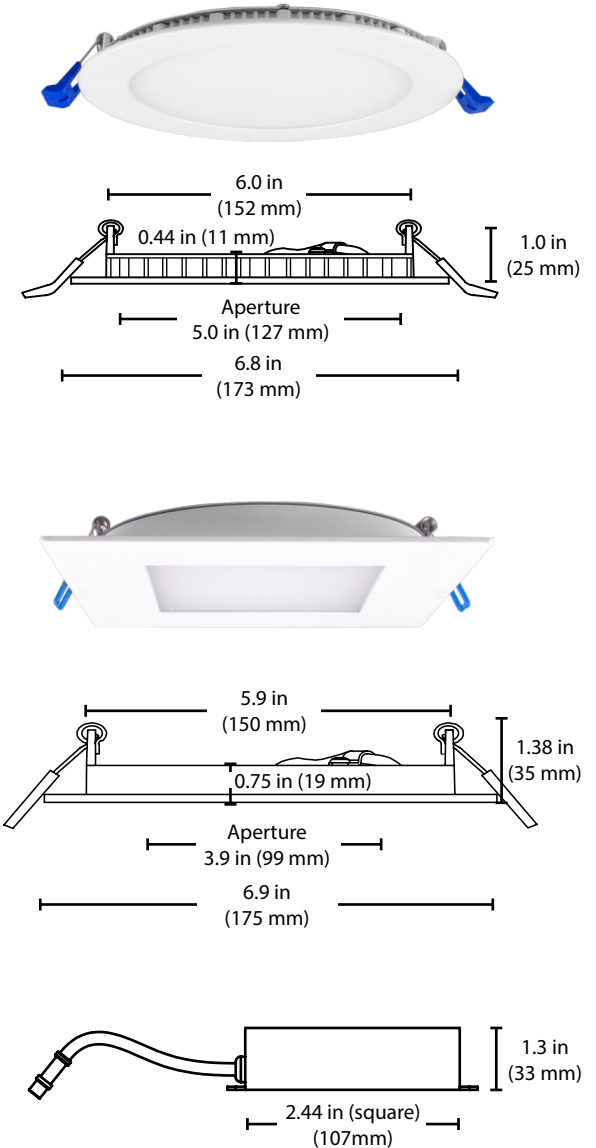
- 5-year limited system warranty standard
- Warranty does not cover product failure due to an overvoltage event (power surge)
- For installations where power surge may be possible, NICOR recommends installing additional surge protection at the electrical distribution panel

Project

Catalog

Type

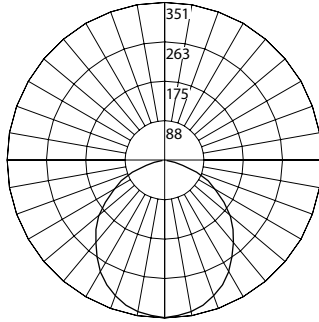
Date



## Photometric Data

### DLE6 2700K RD

|                             |      |
|-----------------------------|------|
| Input Voltage (VAC)         | 120V |
| System Level Power (W)      | 13.9 |
| Delivered Lumens (Lm)       | 982  |
| System Efficacy (Lm/W)      | 71   |
| Correlated Color Temp (K)   | 2726 |
| Color Rendering Index (CRI) | 93   |
| Beam Angle                  | 110° |
| Spacing Criteria            | 1.25 |



#### Intensity Summary (Candle Power)

| Angle | Mean CP |
|-------|---------|
| 0     | 351     |
| 5     | 349     |
| 15    | 336     |
| 25    | 310     |
| 35    | 274     |
| 45    | 228     |
| 55    | 176     |
| 65    | 120     |
| 75    | 64      |
| 85    | 17      |
| 90    | 0       |

#### CCT Data Multiplier

|              |       |
|--------------|-------|
| DLE621203KRD | 1.024 |
| DLE621204KRD | 1.044 |
| DLE621205KRD | 1.071 |

#### Cone of Light Tabulation

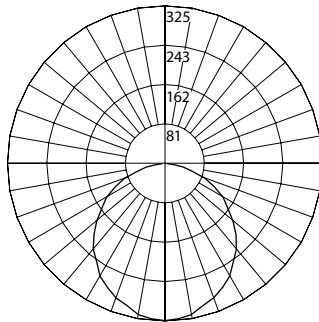
| Mounted height (Feet) | Footcandles Beam Center | Diameter (Feet) |
|-----------------------|-------------------------|-----------------|
| 4                     | 21.9                    | 11.5            |
| 6                     | 9.7                     | 17.2            |
| 8                     | 5.5                     | 22.9            |
| 10                    | 3.5                     | 28.6            |
| 12                    | 2.4                     | 34.4            |
| 14                    | 1.8                     | 40.1            |
| 16                    | 1.4                     | 45.8            |

#### Zonal Lumen Summary

| Zone   | Lumens | % of Luminaire |
|--------|--------|----------------|
| 0-30   | 271    | 27.6%          |
| 0-40   | 442    | 45%            |
| 0-60   | 776    | 78.9%          |
| 0-90   | 981    | 99.9%          |
| 90-180 | 1      | 0.1%           |
| 0-180  | 982    | 100%           |

### DLE6 2700K SQ

|                             |      |
|-----------------------------|------|
| Input Voltage (VAC)         | 120V |
| System Level Power (W)      | 10.8 |
| Delivered Lumens (Lm)       | 858  |
| System Efficacy (Lm/W)      | 80   |
| Correlated Color Temp (K)   | 2710 |
| Color Rendering Index (CRI) | 92   |
| Beam Angle                  | 106° |
| Spacing Criteria            | 1.23 |



#### Intensity Summary (Candle Power)

| Angle | Mean CP |
|-------|---------|
| 0     | 325     |
| 5     | 322     |
| 15    | 307     |
| 25    | 279     |
| 35    | 242     |
| 45    | 199     |
| 55    | 152     |
| 65    | 103     |
| 75    | 54      |
| 85    | 11      |
| 90    | 1       |

#### CCT Data Multiplier

|              |       |
|--------------|-------|
| DLE621203KSQ | 1.024 |
| DLE621204KSQ | 1.044 |
| DLE621205KSQ | 1.071 |

#### Cone of Light Tabulation

| Mounted height (Feet) | Footcandles Beam Center | Diameter (Feet) |
|-----------------------|-------------------------|-----------------|
| 4                     | 20.2                    | 10.5            |
| 6                     | 9.0                     | 15.8            |
| 8                     | 5.1                     | 21.1            |
| 10                    | 3.2                     | 26.3            |
| 12                    | 2.2                     | 31.6            |
| 14                    | 1.6                     | 36.9            |
| 16                    | 1.3                     | 42.2            |

#### Zonal Lumen Summary

| Zone   | Lumens | % of Luminaire |
|--------|--------|----------------|
| 0-30   | 246    | 28.6%          |
| 0-40   | 397    | 46.3%          |
| 0-60   | 686    | 79.9%          |
| 0-90   | 858    | 100%           |
| 90-180 | 0      | 0%             |
| 0-180  | 858    | 100%           |

Fixture tested per LM-79-08. Photometric data is of the performance of a representative fixture. Results may vary in the field.

#### Performance Data

| Model Number | Lumens | Watts | Lumens/Watt |
|--------------|--------|-------|-------------|
| DLE621202KRD | 982    | 13.9  | 70.6        |
| DLE621203KRD | 1005   | 13.9  | 72.3        |
| DLE621204KRD | 1025   | 13.9  | 73.7        |
| DLE621205KRD | 1052   | 13.9  | 75.7        |
| DLE621202KSQ | 858    | 10.8  | 79.4        |
| DLE621203KSQ | 879    | 10.8  | 81.4        |
| DLE621204KSQ | 896    | 10.8  | 83.0        |
| DLE621205KSQ | 919    | 10.8  | 85.1        |

#### Recommended Dimmers\*

Lutron Toggler TGCL-153P  
Lutron Skylark SCL-153P  
Lutron DIVA DVCL-153P  
Lutron DIVA DVELV-300P  
Lutron DIVA DVELV-303P

\*Not a complete list. Check compatibility before installation.

## Ordering Information

Example: DLE621203KRDPWH

| Series      | Version              | Voltage    | CCT's              | Trim Shape         | Trim Color        |
|-------------|----------------------|------------|--------------------|--------------------|-------------------|
| <b>DLE6</b> | <b>2</b> (Version 2) | <b>120</b> | <b>2K</b> (2700 K) | <b>RD</b> (Round)  | <b>WH</b> (White) |
|             |                      |            | <b>3K</b> (3000 K) | <b>SQ</b> (Square) |                   |
|             |                      |            | <b>4K</b> (4000 K) |                    |                   |
|             |                      |            | <b>5K</b> (5000 K) |                    |                   |

Specifications and dimensions subject to change without notice

## Accessories

*accessories sold separately*

|                                    |                    |
|------------------------------------|--------------------|
| 6" ROUGH IN TEMPLATE               | ROUGHIN-TEMPLATE-6 |
| 6" BLACK TRIM RING                 | DLE6-TR-BK         |
| 6" AGED COPPER TRIM RING           | DLE6-TR-AC         |
| 6" BRUSHED NICKEL TRIM RING        | DLE6-TR-NK         |
| 6" BLACK SQUARE TRIM RING          | DLE6-TR-SQ-BK      |
| 6" AGED COPPER SQUARE TRIM RING    | DLE6-TR-SQ-AC      |
| 6" BRUSHED NICKEL SQUARE TRIM RING | DLE6-TR-SQ-NK      |
| 24" Extension Cable                | DLE-EXTCABLE-24    |
| 10' Extension Cable                | DRIVER-EXTCABLE-10 |
| 20' Extension Cable                | DRIVER-EXTCABLE-20 |