

DLE4 Select

Edge Lit Recessed LED Downlight

Product Description

Now part of the NICOR Select line, the DLE Edge Lit Recessed LED Downlight Series offers a clean appearance coupled with simple, housing free installation. Eliminating the need for a J-box or recessed housing, the DLE fixture uses a plenum-rated cable connector to link the downlight module to the remote driver box and then pops into place with its spring loaded retention tabs for a secure fit. The ultra-thin fixture depth and off-board driver allow for a more flexible installation and increased lifetime with improved thermal management. With a micro-switch on the driver housing, the DLE Select offers the ability to adjust the CCT to 3000K, 4000K, or 5000K. Simplify your installations using a single fixture that can be adjusted on the fly with NICOR Select.

Construction

- Cast aluminum housing routes heat away from electrical components
- Edge-Lit technology allows for extremely thin fixture depth
- Adjustable, spring loaded retention tabs ensure secure fixture retention
- Low profile micro-switch on driver housing for CCT selection
- Certified for direct contact with insulation
- Includes gasket to meet AirTight requirements

Optical System

- Precision engineered optical stack creates uniform light distribution that maximizes lumen output

Electrical

- Off-board driver minimizes installation height and maximizes fixture life through improved heat management
- Input voltage of 120VAC
- Dimmable to less than 5% with compatible leading edge (TRIAC) and trailing edge (ELV) dimmers
- LM-79 testing performed in accordance with IESNA standards

LED

- Dual emitter array enables CCT selection
- CCT Selectable at 3000K, 4000K, or 5000K
- Binned within 4-step MacAdams with $\text{duv} < \pm 0.003$
- TM-21 Reported L70(9K) hours >36,000
- Utilizes high performing LEDs with 90+ CRI and an $R9 > 50$

Finish

- White powder coat finish standard
- Accessory color trims available in Black, Nickel and Oil-Rubbed Bronze

Mounting and Installation

- Spring loaded retention tabs allow for easy installation into ceilings up to $\frac{3}{4}$ " thick with no need for a recessed housing
- Off-board driver/junction box includes two $\frac{1}{2}$ " KOs, two $\frac{3}{8}$ " KOs and four-port poke-in connectors
- Included paper cutting template
- Accessory metal rough in template available
- Accessory extension power cables (2' & 10') available
- Suitable for wet locations
- Operating temperature of 0° to 120°F (-18°C to 49°C)
- For installations where power surge may be possible, NICOR recommends installing additional surge protection at the electrical distribution panel

Warranty

- 5-year limited system warranty standard
- Warranty does not cover product failure due to an overvoltage event (power surge)

Project

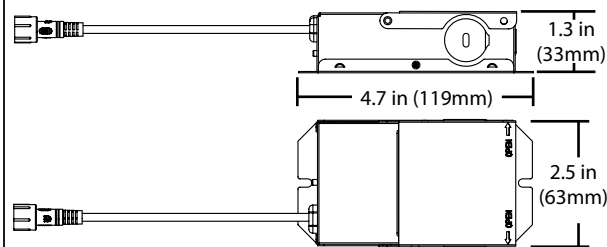
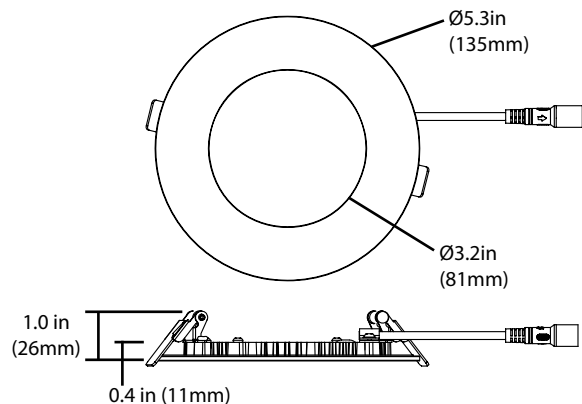
Catalog

Type

Date



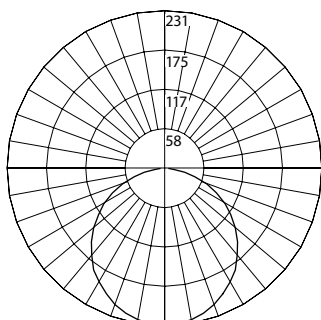
Select Switch and Label



Photometric Data

DLE4 3000K RD

Input Voltage (VAC)	120
System Level Power (W)	10.1
Delivered Lumens (Lm)	655
System Efficacy (Lm/W)	64.9
Correlated Color Temp (K)	3002
Color Rendering Index (CRI)	92
Beam Angle	111
Spacing Criteria	1.25



Intensity Summary (Candle Power)

Angle	Mean CP
0	231
5	230
15	220
25	201
35	175
45	144
55	110
65	77
75	48
85	24
90	14

CCT Data Multiplier

4000K	1.110
5000K	1.037

Cone of Light Tabulation

Mounted height (Feet)	Footcandles Beam Center	Diameter (Feet)
4	14.6	11.6
6	6.5	17.5
8	3.6	23.3
10	2.3	29.1
12	1.6	34.9
14	1.2	40.7
16	0.9	46.5

Zonal Lumen Summary

Zone	Lumens	% of Luminaire
0-30	180	27.6%
0-40	295	45.1%
0-60	520	79.4%
0-90	655	100%
90-180	0	0%
0-180	655	100%

Fixture tested per LM-79-08. Photometric data is of the performance of a representative fixture. Results may vary in the field.

Performance Data

Model Number	Lumens	Watts	Lumens/Watt
DLE43120SRDWH (3000K)	655	10.1	64.9
DLE43120SRDWH (4000K)	727	9.9	73.4
DLE43120SRDWH (5000K)	679	10.0	67.9

Recommended Dimmers*

Lutron Diva DVCL-153P
Lutron Maestro MACL-153M
Eaton Cooper DAL06P
Leviton IPL06
Lutron DIVA DVELV-303P

*Not a complete list. Check compatibility before installation.

Ordering Information

Example: DLE43120SRDWH

Series	Version	Voltage	CCT's	Trim Shape	Trim Color
DLE4	3	120	S (Selectable: 3000, 4000, 5000K)	RD (Round)	WH (White)

Specifications and dimensions subject to change without notice

Accessories

accessories sold separately

4" BLACK TRIM RING	DLE43-TR-BK
4" NICKEL TRIM RING	DLE43-TR-NK
4" OIL RUBBED BRONZE TRIM RING	DLE43-TR-OB
Round Mounting Template (13" length)	DLE4-RD-TEMPLATE
4" Rough In Template (26" length)	ROUGHIN-TEMPLATE-4
2' Extension Cable	EXTCABLE-SELECT-02
10' Extension Cable	EXTCABLE-SELECT-10

This device complies with part 15 of the FCC Rules. Operation is subject to the following two conditions: (1) This device may not cause harmful interference, and (2) this device must accept any interference received, including interference that may cause undesired operation. NOTE: This equipment has been tested and found to comply with the limits for a Class B digital device, pursuant to part 15 of the FCC Rules. These limits are designed to provide reasonable protection against harmful interference in a residential installation. This equipment generates, uses and can radiate radio frequency energy and, if not installed and used in accordance with the instructions, may cause harmful interference to radio communications. However, there is no guarantee that interference will not occur in a particular installation. If this equipment does cause harmful interference to radio or television reception, which can be determined by turning the equipment off and on, the user is encouraged to try to correct the interference by one or more of the following measures:

- Reorient or relocate the receiving antenna.
- Increase the separation between the equipment and receiver.
- Connect the equipment into an outlet on a circuit different from that to which the receiver is connected.
- Consult the dealer or an experienced radio/TV technician for help.