

# CLR Select

## 6" and 8" Commercial Recessed LED Downlight

### Product Description

Designed for both new construction and retrofit applications, the CLR Select series can be installed directly into drywall, a ceiling grid or an existing 6" or 8" mounting frame using spring loaded retention tabs. The CCT and output selectable design allows for easy adjustment to 3000, 3500, 4000, or 5000K and standard or high output. With accessory trims in nickel, oil-rubbed bronze and black, and offering a full range of dimming from 0-10 volts, the CLR Select is adaptable to most any environment. The versatility of this light source is perfect for commercial applications, such as educational, governmental, retail and grocery, office or hospitality lighting.

#### Construction

- Cast aluminum flange and heat sink
- Plastic driver housing
- Output and CCT selection switches on back of housing
- Certified for direct contact with insulation
- Meets ASTM E283 airtight requirements

#### Optical System

- Precision engineered polystyrene diffuser provides high uniformity, and reduced glare
- No visible diodes, hot-spots, or shadows

#### Electrical

- Wide range input voltage of 120 - 347 VAC
- Full-range dimming via 0-10VDC controls
- TM-21 Reported L70(9k) life >56,000 hours
- LM-79, LM-80 testing performed in accordance with IESNA standards
- Meets FCC 15 PartB: 2016 Class A requirements

#### Finish

- Matte white powder coat
- Color faceplate available (varies depending on size)

#### Mounting and Installation

- Adjustable, spring loaded retention tabs ensure secure fixture retention on ceilings up to 1 1/2" thick
- 2' whip with 18" of FMC
- Easy installation into most 6" or 8" incandescent or fluorescent frames
- Frame not needed for new construction installation
- Metal rough-in templates or frames available
- NON-IC Operating temperature of 0° to 104°F (-18°C to 40°C)<sup>1</sup>
- IC Operating temperature of 0° to 77°F (-18° to 25°C)<sup>1</sup>
- Suitable for wet locations
- For installations where power surge may be possible, NICOR recommends installing additional surge protection at the fixture or electrical distribution panel

#### Warranty

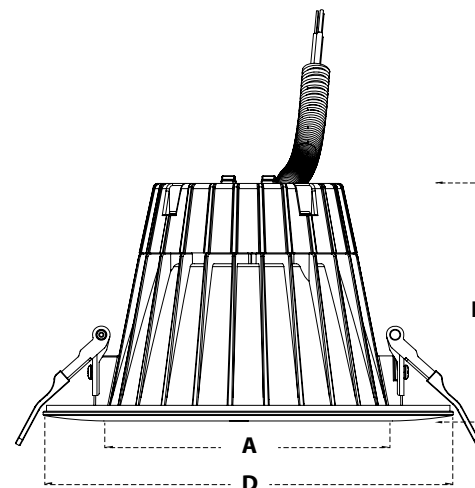
- 5-year limited system warranty standard
- Warranty does not cover product failure due to an overvoltage event (power surge)

Project

Catalog

Type

Date



Model	Diameter	Height	Aperture Ø
CLR6	7.4in (188mm)	4.5in (114mm)	5.2in (132mm)
CLR8S	9.5in (240mm)	5.2in (132mm)	7.5in (191mm)
CLR8H	9.5in (240mm)	5.6in (143mm)	7.5in (191mm)

Representative image. Exact models vary.

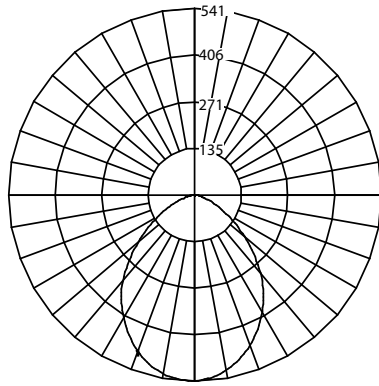


1 - Except CLR8HO

## Photometric Data

### CLR6S 3000K 1500 lumen

Input Voltage (VAC)	120-347V
System Level Power (W)	16.9
Delivered Lumens (Lm)	1552
System Efficacy (Lm/W)	91.6
Correlated Color Temp (K)	3026
Color Rendering Index (CRI)	92.7
Beam Angle	87.3
Spacing Criteria	1.12



#### Intensity Summary (Candle Power)

Angle	Mean CP
0	792
5	784
15	731
25	637
35	517
45	361
55	213
65	99
75	31
85	8
90	0

#### CCT & Output Data Multiplier

	1000lm	1500lm
3000K	0.682	1.000
3500K	0.689	1.011
4000K	0.697	1.023
5000K	0.685	1.005

#### Cone of Light Tabulation

Mounted height (Inches)	Footcandles Beam Center	Diameter (Feet)
4	49.5	7.6
6	22.0	11.4
8	12.3	15.3
10	7.9	19.1
12	5.5	22.9
14	4.0	26.7
16	3.0	30.5

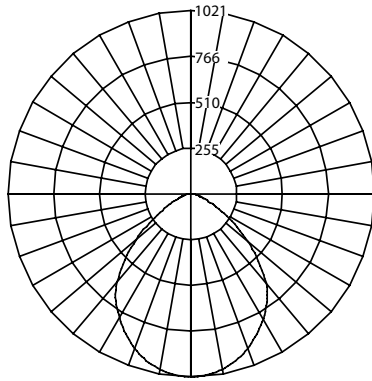
#### Zonal Lumen Summary

Zone	Lumens	% of Luminaire
0-30	579	37.3%
0-40	908	58.5%
0-60	1397	90%
0-90	1552	100%
90-180	0	0%
0-180	1552	100%

Data Multiplier applies to Lumens, Candle Power, Cone of Light, and Zonal Lumen Summary. See Performance Table for Lm, Watts and LPW values.

### CLR8S 3000K 2000 lumen

Input Voltage (VAC)	120-347V
System Level Power (W)	22.6
Delivered Lumens (Lm)	2078
System Efficacy (Lm/W)	91.8
Correlated Color Temp (K)	3066
Color Rendering Index (CRI)	92.6
Beam Angle	91.5
Spacing Criteria	1.18



#### Intensity Summary (Candle Power)

Angle	Mean CP
0	1020
5	1013
15	961
25	859
35	726
45	519
55	283
65	112
75	47
85	11
90	0

#### CCT & Output Data Multiplier

	1500lm	2000lm
3000K	0.769	1.000
3500K	0.775	1.007
4000K	0.782	1.016
5000K	0.771	1.002

#### Cone of Light Tabulation

Mounted height (Inches)	Footcandles Beam Center	Diameter (Feet)
4	63.7	8.2
6	28.3	12.3
8	15.9	16.4
10	10.2	20.5
12	7.0	24.6
14	5.2	28.7
16	3.9	32.8

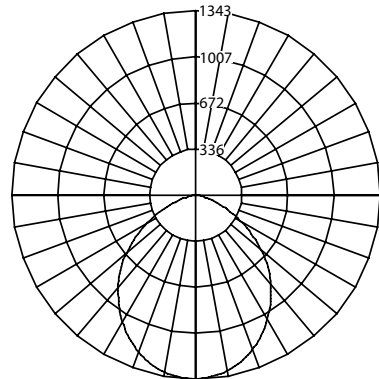
#### Zonal Lumen Summary

Zone	Lumens	% of Luminaire
0-30	766	36.8%
0-40	1223	58.9%
0-60	1893	91.1%
0-90	2078	100%
90-180	0	0%
0-180	2078	100%

Data Multiplier applies to Lumens, Candle Power, Cone of Light, and Zonal Lumen Summary. See Performance Table for Lm, Watts and LPW values.

### CLR8H 3000K 2000 lumen

Input Voltage (VAC)	120-347V
System Level Power (W)	30.1
Delivered Lumens (Lm)	3037
System Efficacy (Lm/W)	100.9
Correlated Color Temp (K)	3042
Color Rendering Index (CRI)	94.5
Beam Angle	97.5
Spacing Criteria	1.18



#### Intensity Summary (Candle Power)

Angle	Mean CP
0	1343
5	1331
15	1259
25	1128
35	949
45	742
55	496
65	260
75	76
85	16
90	0

#### CCT & Output Data Multiplier

	2000lm	3000lm
3000K	0.676	1.000
3500K	0.710	1.049
4000K	0.721	1.066
5000K	0.709	1.048

#### Cone of Light Tabulation

Mounted height (Inches)	Footcandles Beam Center	Diameter (Feet)
4	83.8	9.1
6	37.2	13.7
8	20.9	18.2
10	13.4	22.8
12	9.2	27.4
14	6.8	31.9
16	5.2	36.5

#### Zonal Lumen Summary

Zone	Lumens	% of Luminaire
0-30	1008	33.2%
0-40	1611	53%
0-60	2654	87.4%
0-90	3037	100%
90-180	0	0%
0-180	3037	100%

Data Multiplier applies to Lumens, Candle Power, Cone of Light, and Zonal Lumen Summary. See Performance Table for Lm, Watts and LPW values.

Performance Data					
Model Number	Nominal CCT	Nominal Lumens	Light Output (lm)	Power Draw (W)	Efficacy (Lm/W)
CLR62SWRVS9WH	3000	1000	1058	10.9	97.0
	3500		1069	10.6	100.8
	4000		1082	10.6	102.1
	5000		1063	10.8	98.4
	3000		1552	16.9	91.6
CLR82SWRVS9WH	3500	1500	1569	16.5	94.9
	4000		1588	16.4	96.9
	5000		1559	16.7	93.6
	3000		1599	16.6	96.3
	3500		1610	16.3	98.7
CLR82SWRVS9WH	4000	1500	1625	16.2	100.1
	5000		1602	16.5	97.4
	3000		2078	22.6	91.8
	3500		2092	22.2	94.1
	4000		2111	22.1	95.5
CLR82HWRVS9WH	5000	2000	2082	22.4	92.7
	3000		2054	19.8	103.6
	3500		2155	19.6	109.9
	4000		2190	19.5	112.3
	5000		2153	19.7	109.3
CLR82HWRVS9WH	3000	3000	3037	30.1	100.9
	3500		3186	29.8	107.0
	4000		3239	29.6	109.5
	5000		3184	29.9	106.5

Recommended Dimmers*
Lutron NTSTV-DV-WH
Lutron DVSTV
Cooper SF10P
Legrand RH4FBL3PW

Ordering Information							Example: CLR62SWRVS9WH
Series	Diameter	Version	Output	Voltage	CCT	CRI	Color
CLR	6 (6 inch)	2 (Version 2.0)	S (Standard Output)	WRV (120-347V)	S (Selectable)	9 (90 CRI)	WH (White)
	8 (8 inch)		H (High Output) <sup>1</sup>				

<sup>1</sup>) High Output only available on CLR8  
Specifications and dimensions subject to change without notice.

Accessories	Accessories sold separately
Black 6" Trim	DCR-CLR-56-TR-BK
Nickel 6" Trim	DCR-CLR-56-TR-NK
Aged Copper 6" Trim	DCR-CLR-56-TR-AC
6" Extension Ring	CLR6-10-EXT
6" Rough in Template	ROUGHIN-TEMPLATE-6
Black 8" Trim	CLR8-TR-BK
Nickel 8" Trim	CLR8-TR-NK
Oil Rubbed Bronze 8" Trim	CLR8-TR-OB
8" Extension Ring	CLR8-10-EXT
8" Extension Rings with Clips	CLR8-10-EXT-CLIPS

This device complies with part 15 of the FCC Rules. Operation is subject to the following two conditions: (1) This device may not cause harmful interference, and (2) this device must accept any interference received, including interference that may cause undesired operation.

NOTE: This equipment has been tested and found to comply with the limits for a Class A digital device, pursuant to part 15 of the FCC Rules. These limits are designed to provide reasonable protection against harmful interference when the equipment is operated in a commercial environment. This equipment generates, uses, and can radiate radio frequency energy and, if not installed and used in accordance with the instruction manual, may cause harmful interference to radio communications. Operation of this equipment in a residential area is likely to cause harmful interference in which case the user will be required to correct the interference at his own expense.